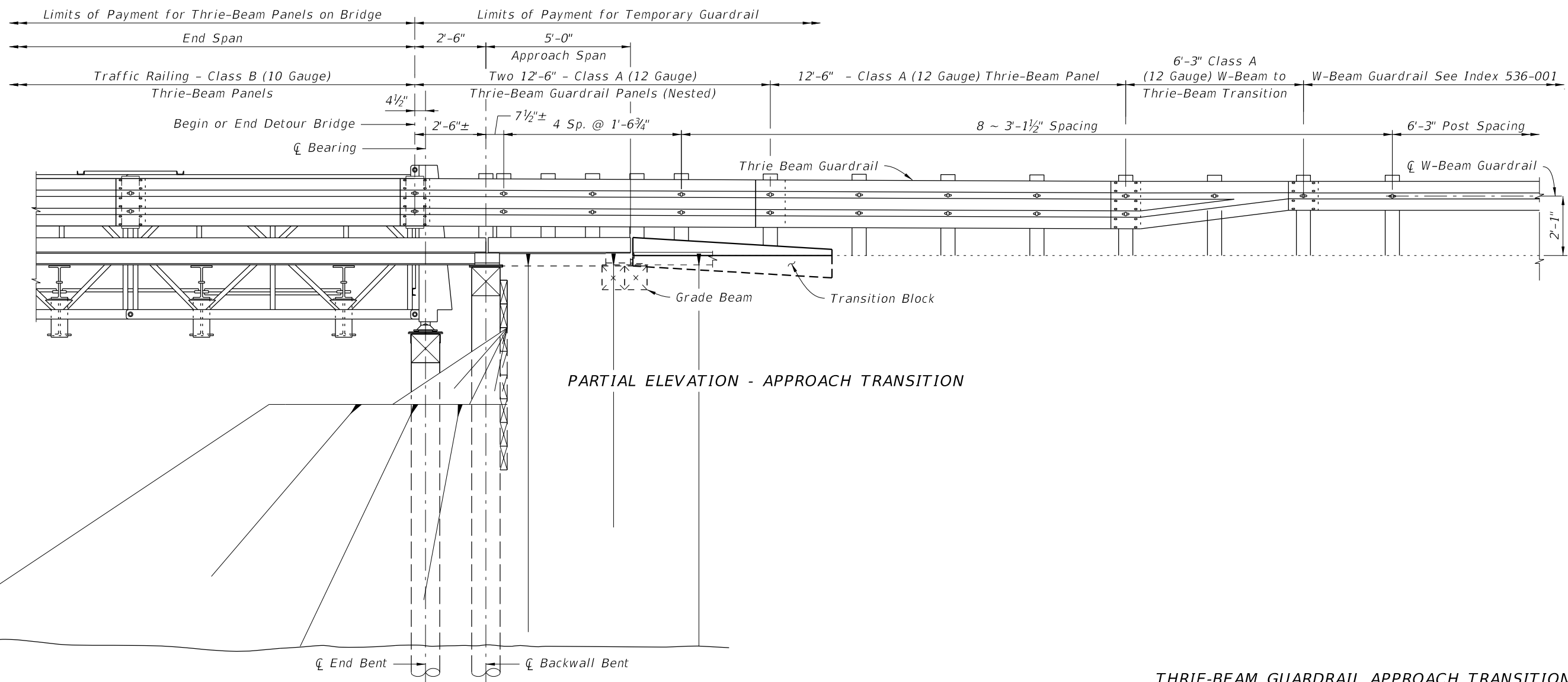



PARTIAL PLAN - APPROACH TRANSITION

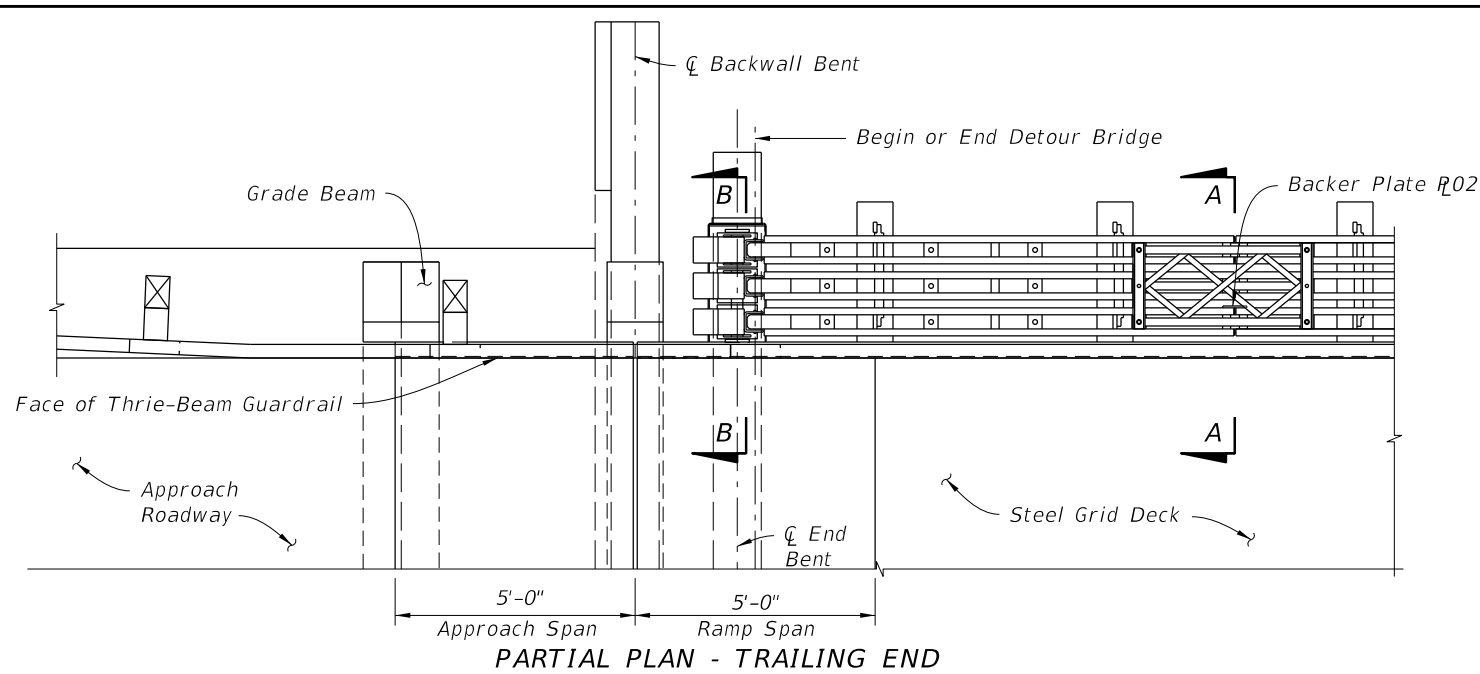


PARTIAL ELEVATION - APPROACH TRANSITION

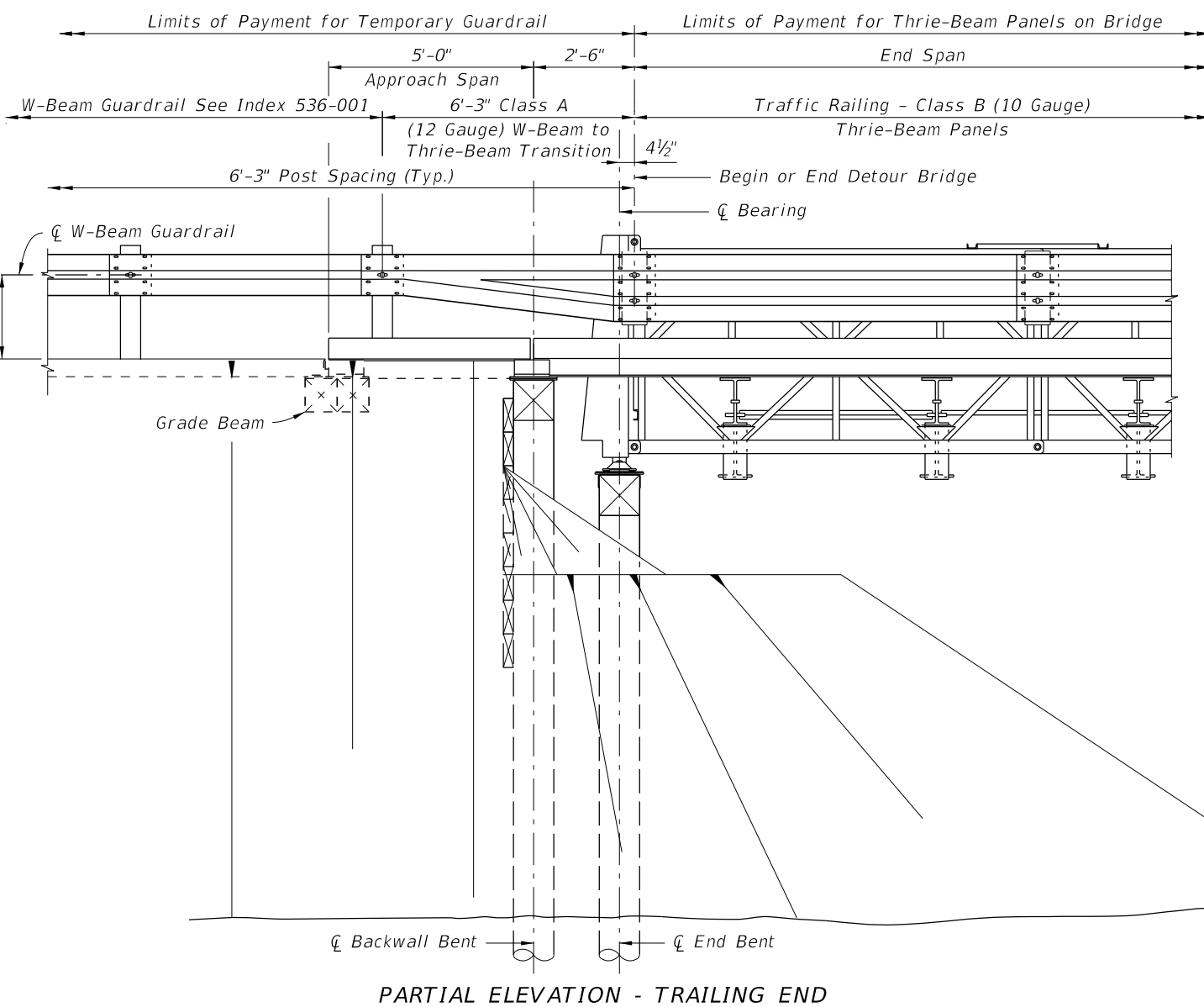
THRIE-BEAM GUARDRAIL APPROACH TRANSITION

10/23/2018 10:57:45 AM

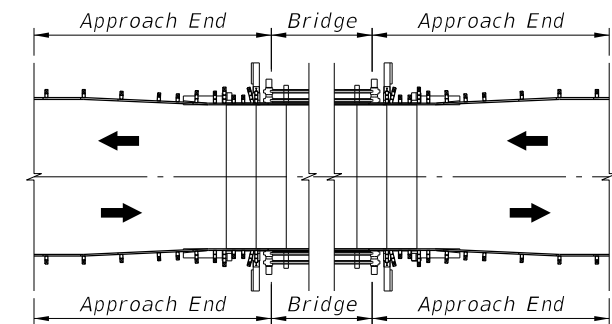
LAST REVISION 07/01/15	REVISION	DESCRIPTION:	 FY 2019-20 STANDARD PLANS	TEMPORARY DETOUR BRIDGE THRIE-BEAM GUARDRAIL	INDEX 102-240	SHEET 1 of 6
---------------------------	----------	--------------	-----------------------------------------------------------------------------------------------------------------------	-------------------------------------------------	------------------	-----------------



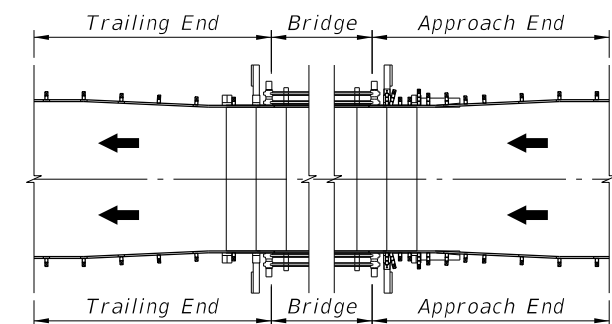
PARTIAL PLAN - TRAILING END



PARTIAL ELEVATION - TRAILING END



TWO-WAY TRAFFIC



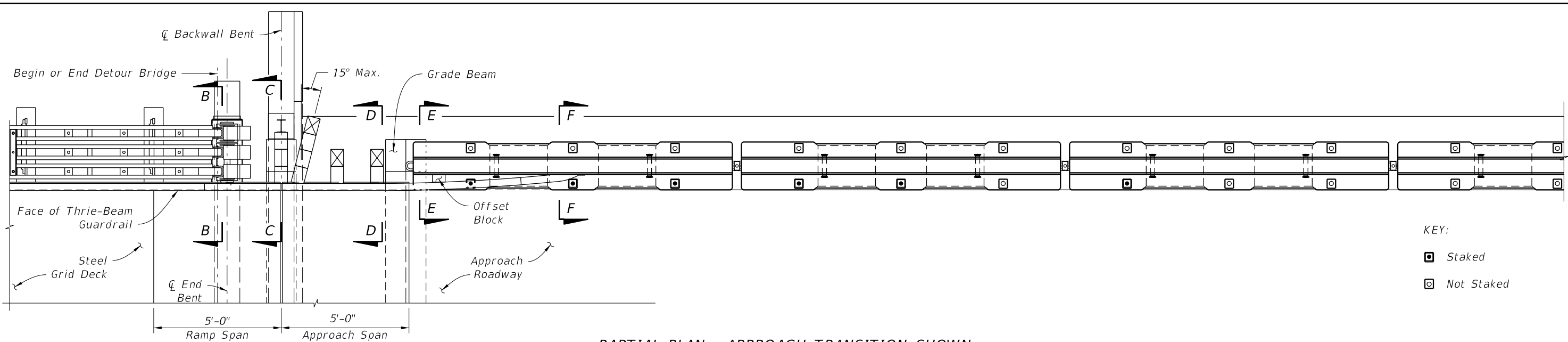
ONE-WAY TRAFFIC

END TRANSITION APPLICATION DETAILS

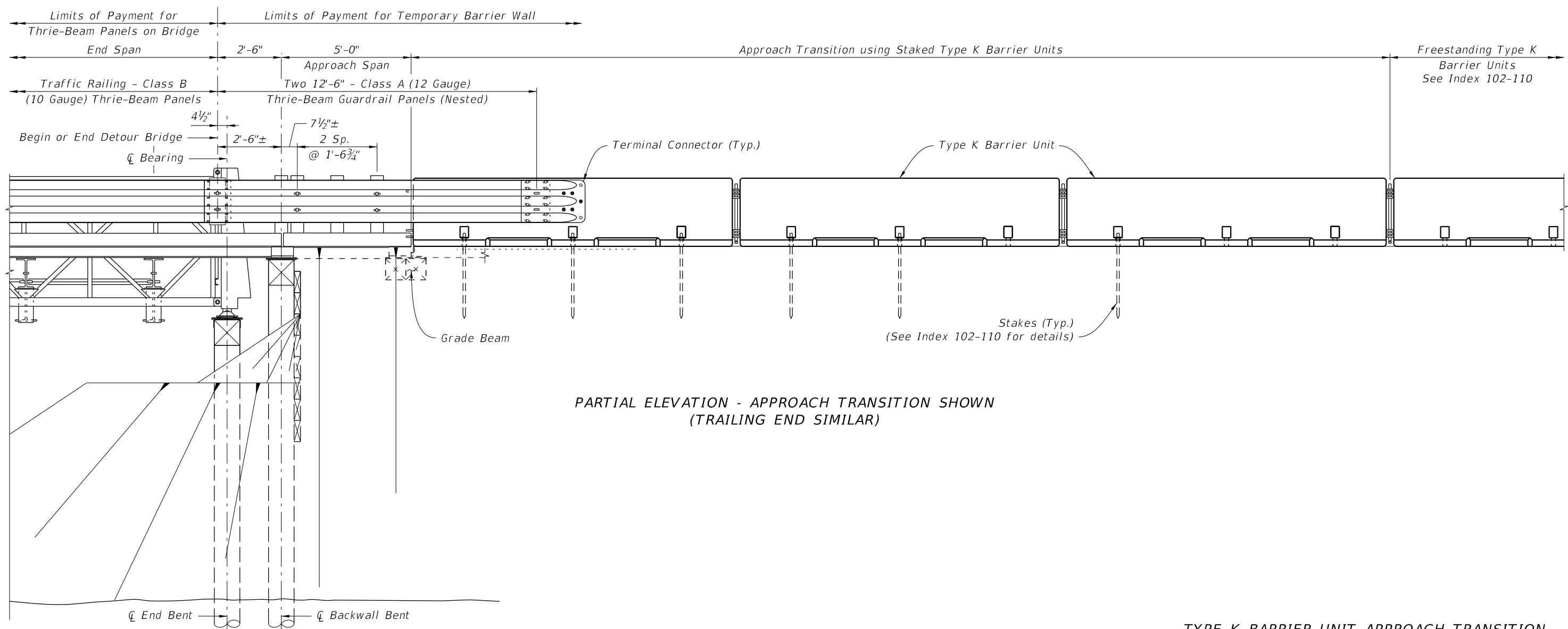
10/23/2018 10:57:46 AM

LAST REVISION 07/01/15	REVISION	DESCRIPTION:	 FY 2019-20 STANDARD PLANS	TEMPORARY DETOUR BRIDGE THRIE-BEAM GUARDRAIL	INDEX 102-240	SHEET 2 of 6
---------------------------	----------	--------------	-----------------------------------------------------------------------------------------------------------------------	-------------------------------------------------	------------------	-----------------

THRIE-BEAM GUARDRAIL TRAILING END TRANSITION



PARTIAL PLAN - APPROACH TRANSITION SHOWN
(TRAILING END SIMILAR)



PARTIAL ELEVATION - APPROACH TRANSITION SHOWN
(TRAILING END SIMILAR)

TYPE K BARRIER UNIT APPROACH TRANSITION

10/23/2018 10:57:46 AM

LAST REVISION 07/01/15	REVISION	DESCRIPTION:
---------------------------	----------	--------------

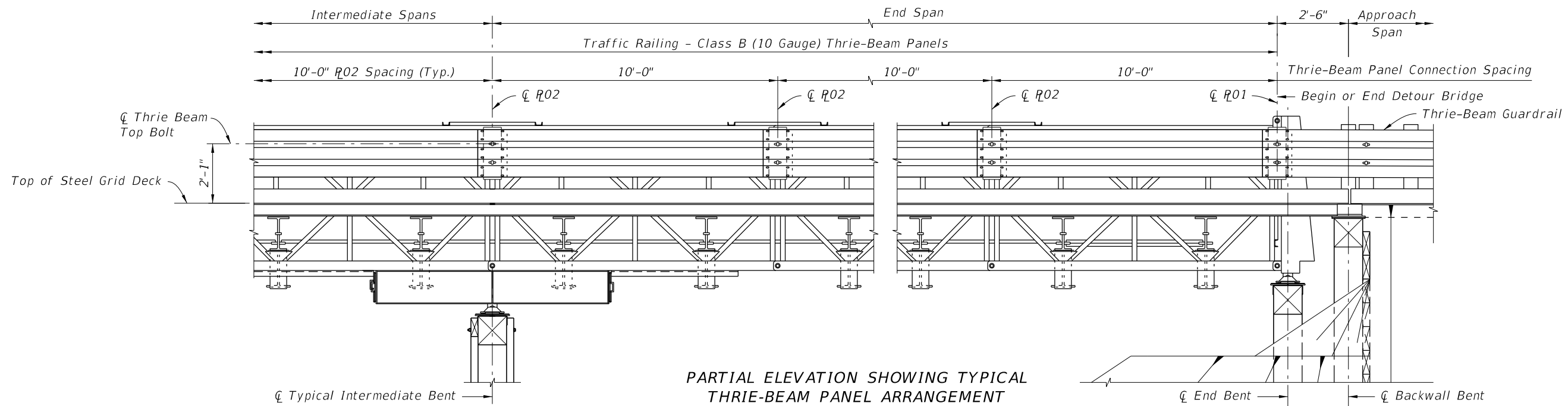


FY 2019-20
STANDARD PLANS

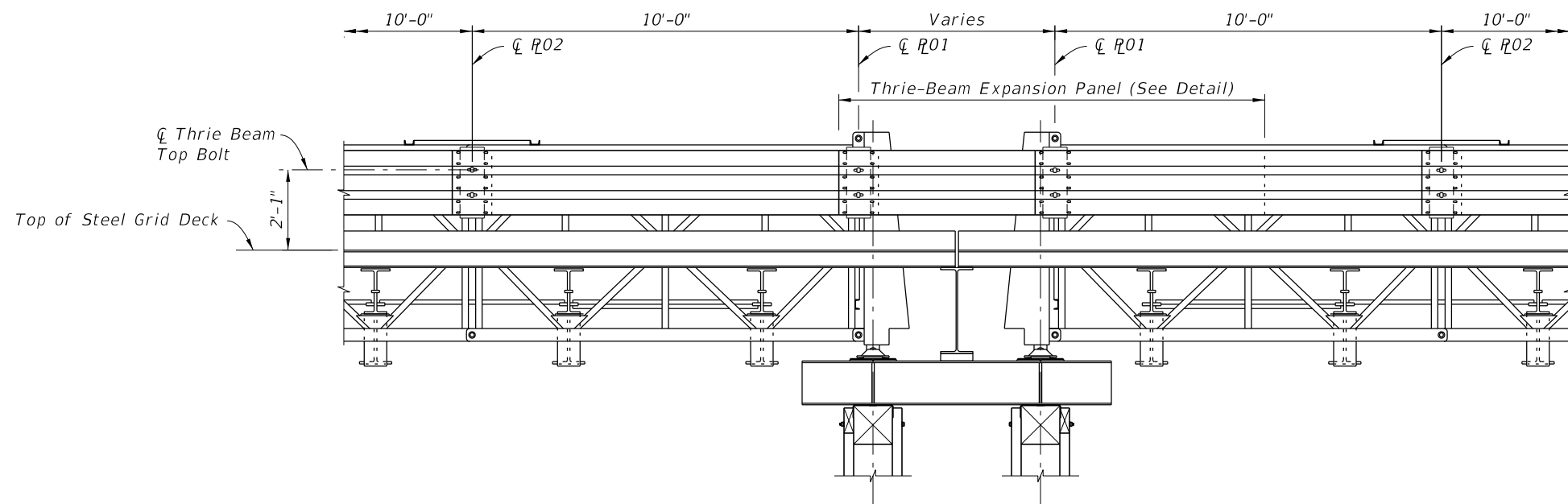
TEMPORARY DETOUR BRIDGE
THRIE-BEAM GUARDRAIL

INDEX
102-240

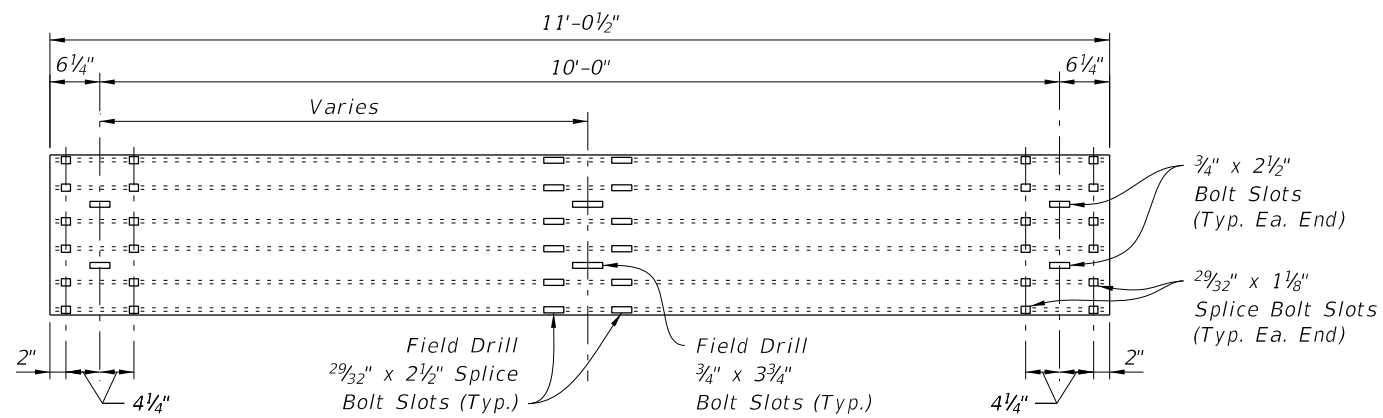
SHEET
3 of 6



PARTIAL ELEVATION SHOWING TYPICAL THRIE-BEAM PANEL ARRANGEMENT



PARTIAL ELEVATION SHOWING THRIE-BEAM PANELS AT EXPANSION JOINT



THRIE-BEAM EXPANSION PANEL DETAIL

10/23/2018 10:57:47 AM

LAST REVISION 07/01/15	REVISION	DESCRIPTION:
---------------------------	----------	--------------

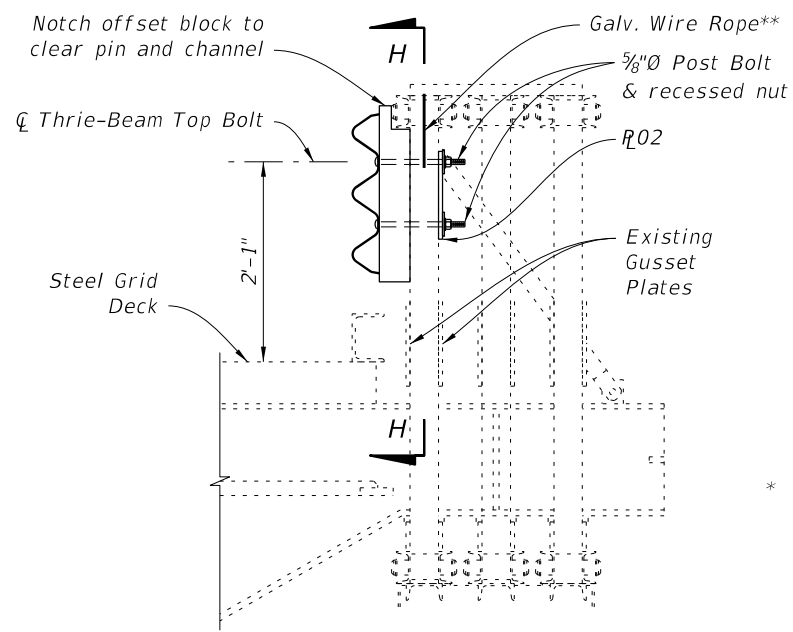


FY 2019-20
STANDARD PLANS

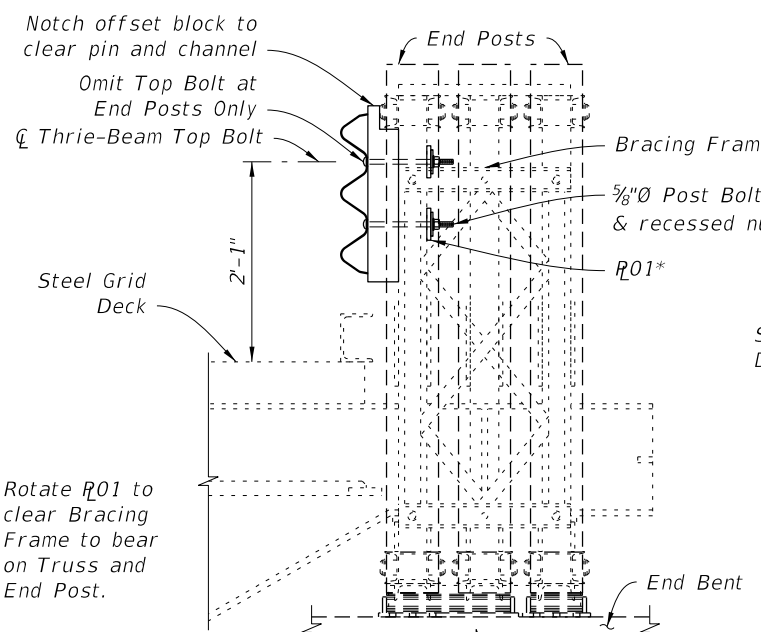
TEMPORARY DETOUR BRIDGE
THRIE-BEAM GUARDRAIL

INDEX
102-240

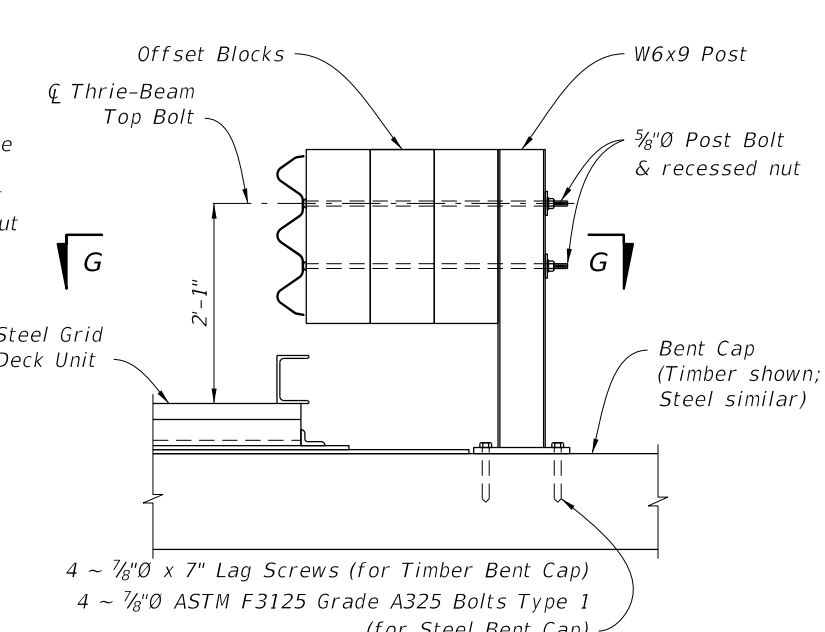
SHEET
4 of 6



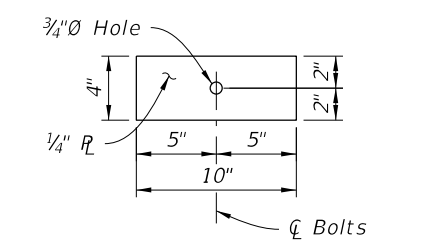
SECTION A-A



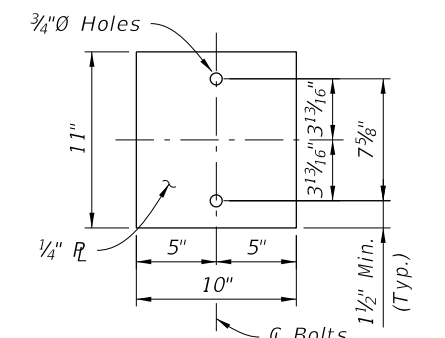
SECTION B-B



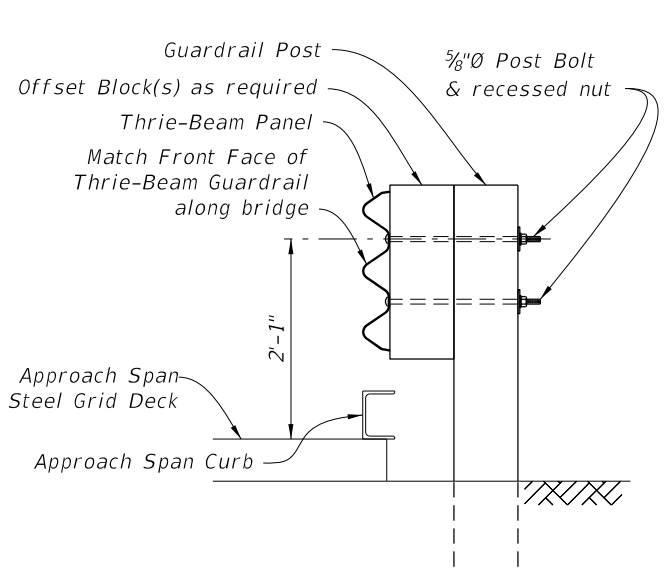
SECTION C-C



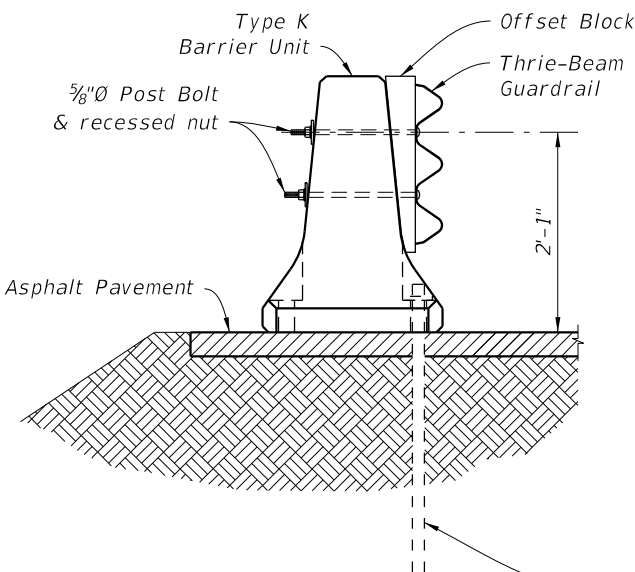
BACKER PLATE R01 DETAIL



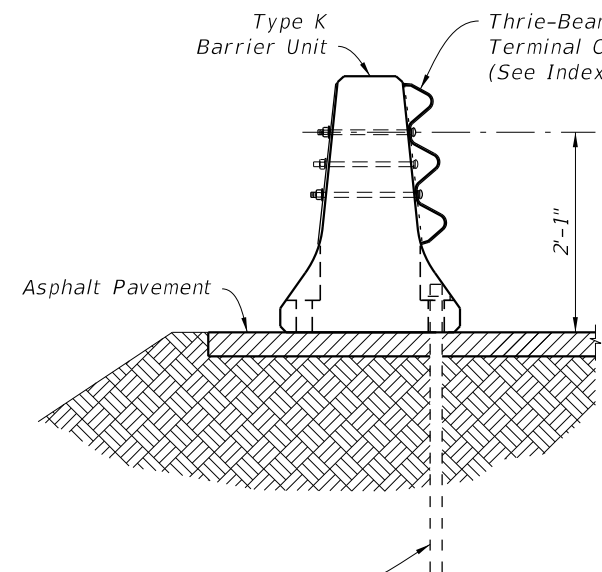
BACKER PLATE R02 DETAIL



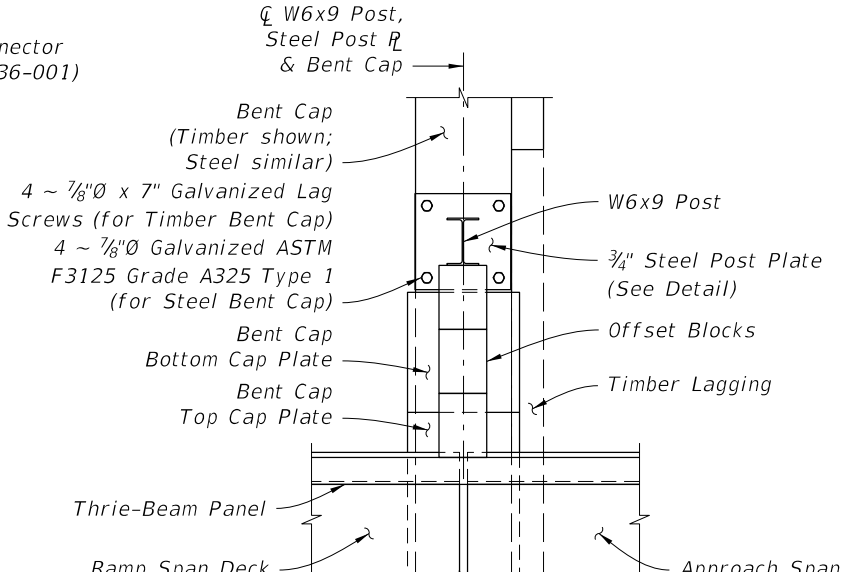
SECTION D-D



SECTION E-E

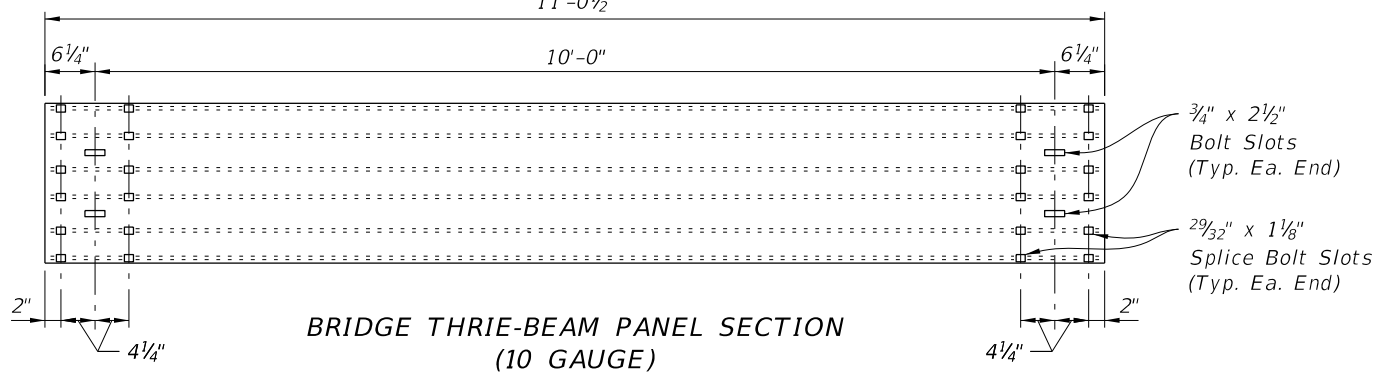


SECTION F-F

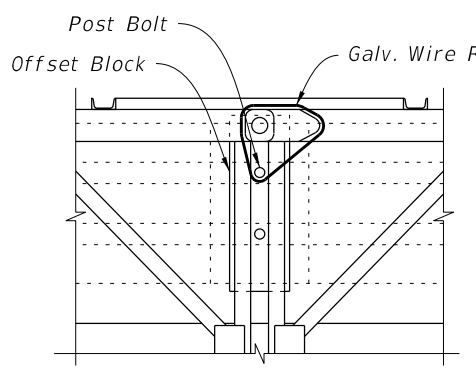


VIEW G-G

(Adjacent Post and Offset Blocks not shown for clarity)

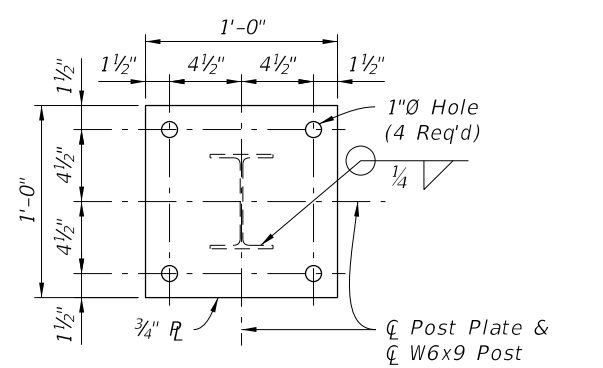


BRIDGE THRIE-BEAM PANEL SECTION (10 GAUGE)



SECTION H-H

** As directed by the Engineer in order to limit vibration induced vertical displacement of the Thrie-Beam Panels, provide Contractor supplied, one time use, commercially available 3/16\"/>

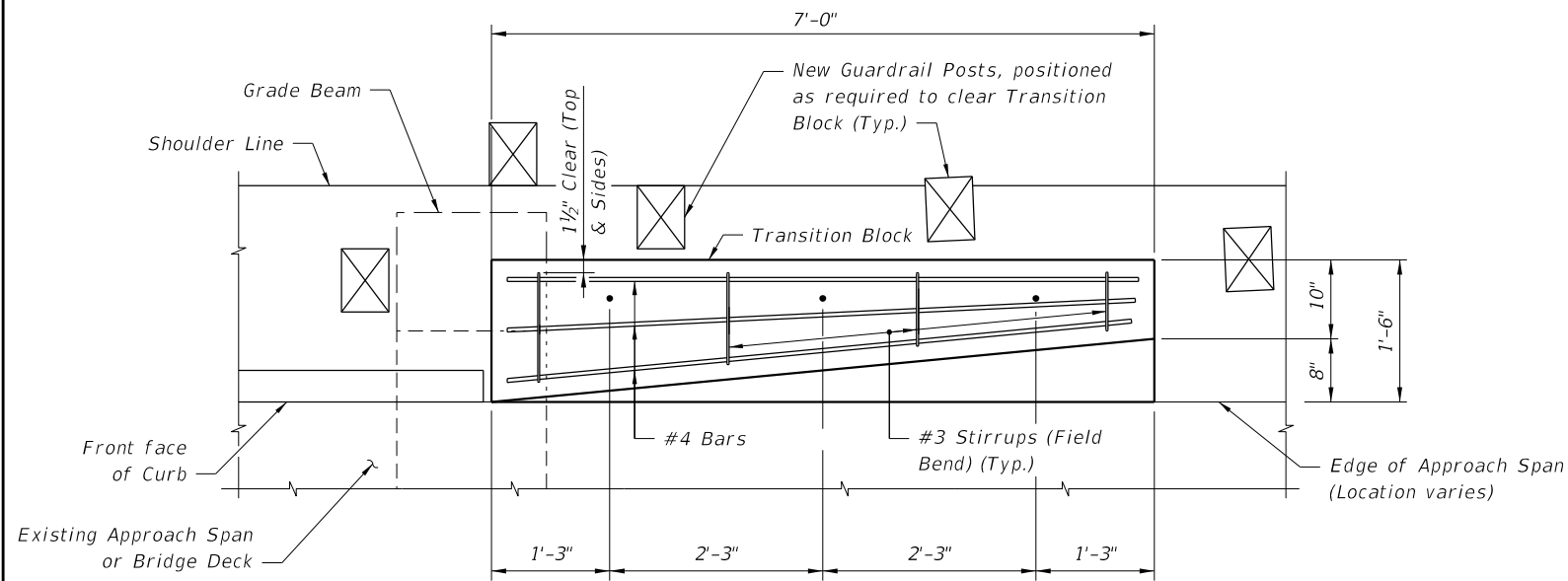


STEEL POST PLATE DETAIL

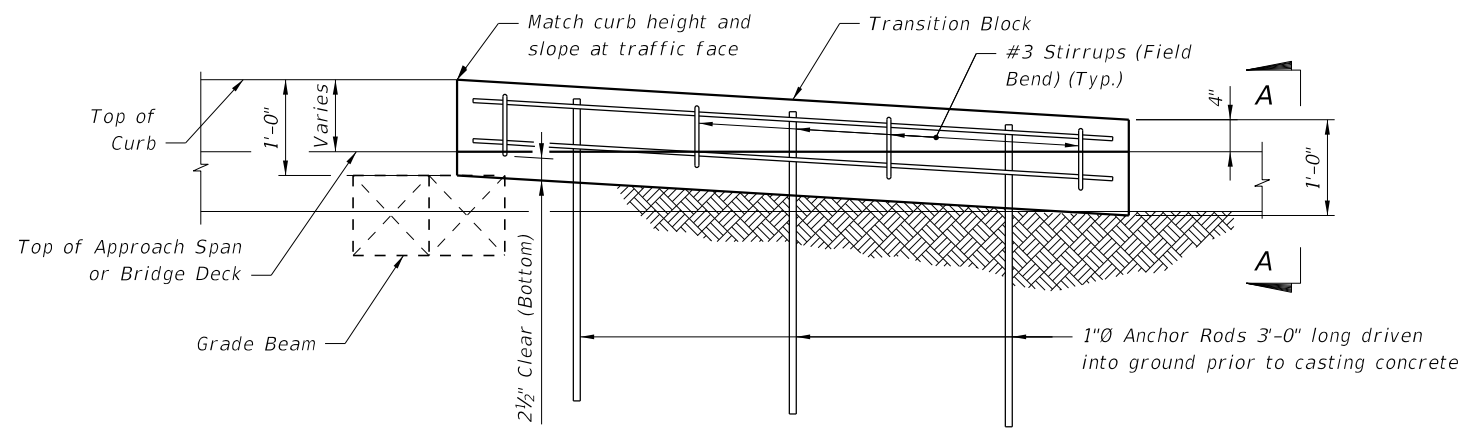
SECTIONS AND DETAILS

10/23/2018 10:57:48 AM

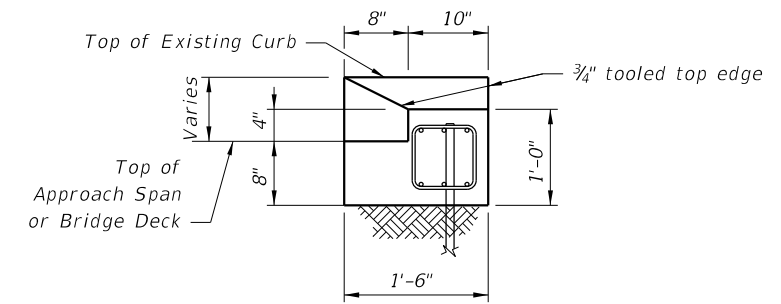
LAST REVISION 11/01/16	REVISION	DESCRIPTION:		FY 2019-20 STANDARD PLANS	TEMPORARY DETOUR BRIDGE THRIE-BEAM GUARDRAIL	INDEX 102-240	SHEET 5 of 6
---------------------------	----------	--------------	--	------------------------------	-------------------------------------------------	------------------	-----------------



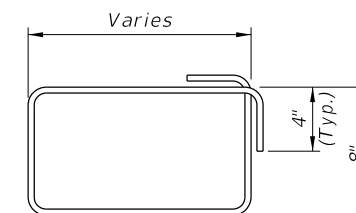
PLAN VIEW OF TRANSITION BLOCK
(GUARDRAIL NOT SHOWN FOR CLARITY)



ELEVATION OF TRANSITION BLOCK
(GUARDRAIL AND POSTS NOT SHOWN FOR CLARITY)



END VIEW A-A



#3 STIRRUP (FIELD BEND)

NOTES:

REINFORCING STEEL: Reinforcing steel shall be ASTM A615, Grade 60.

ANCHOR RODS: Steel Anchor Rods shall be ASTM A36, ASTM A709 Grade 36 or ASTM A615 Grade 60 hot-dip galvanized in accordance with Specification Section 962.

ESTIMATED QUANTITIES

ITEM	UNIT	QUANTITY
Concrete Class NS	CY	0.4
Reinforcing Steel	LB	61
Guardrail (Reset)	LF	12.5

10/23/2018 10:57:51 AM