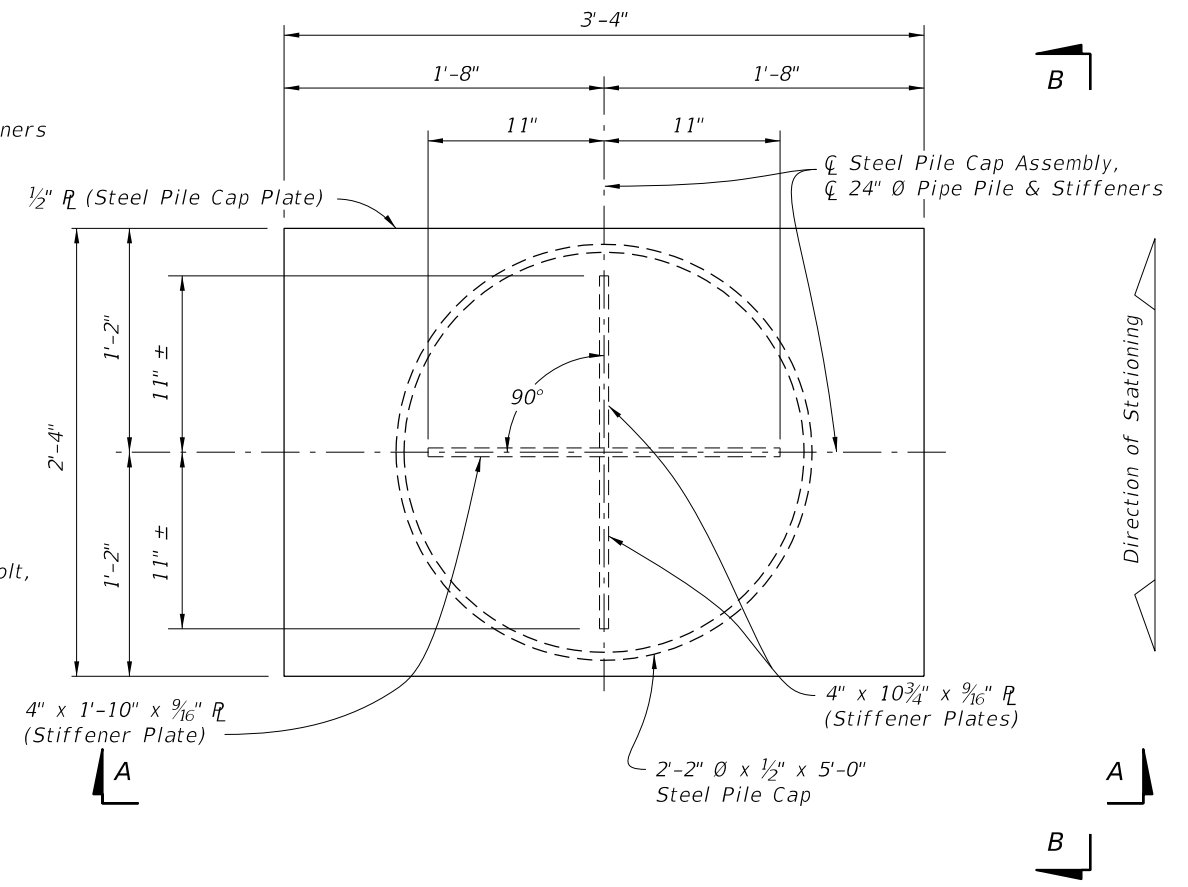
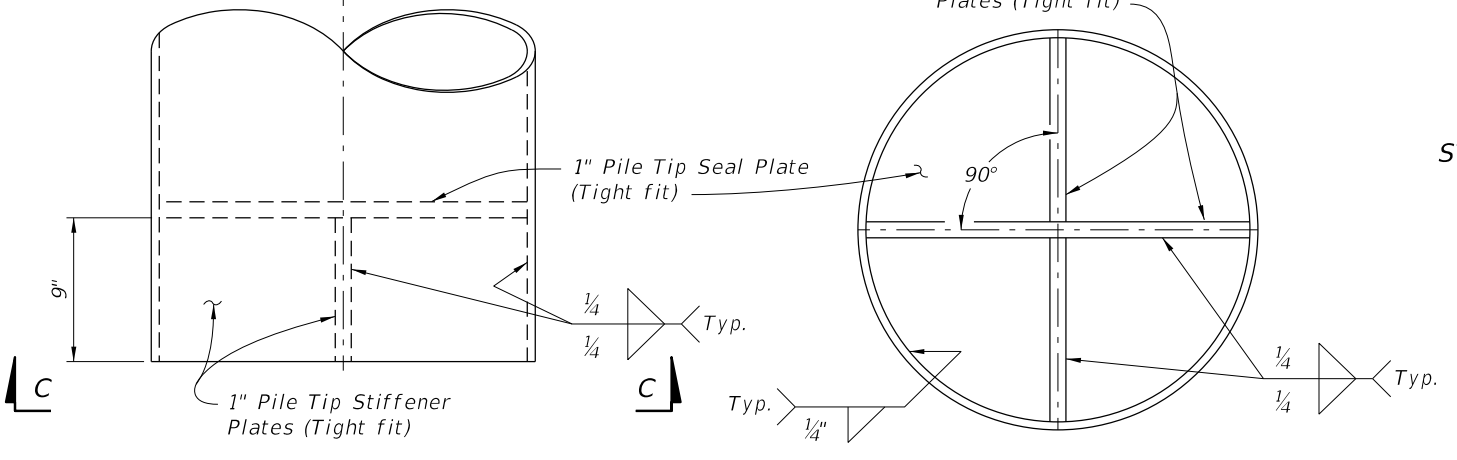


PARTIAL VIEW A-A

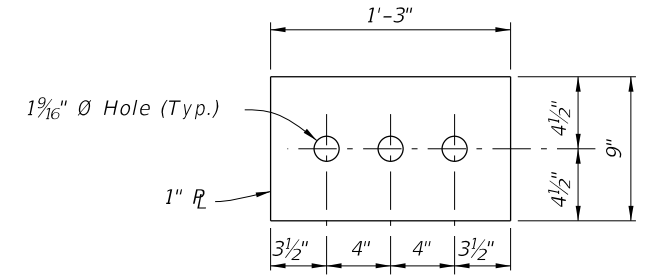


PLAN VIEW STEEL PILE CAP ASSEMBLY  
(Bearing Plates and Bearing Keeper Bars not show for clarity)



VIEW B-B

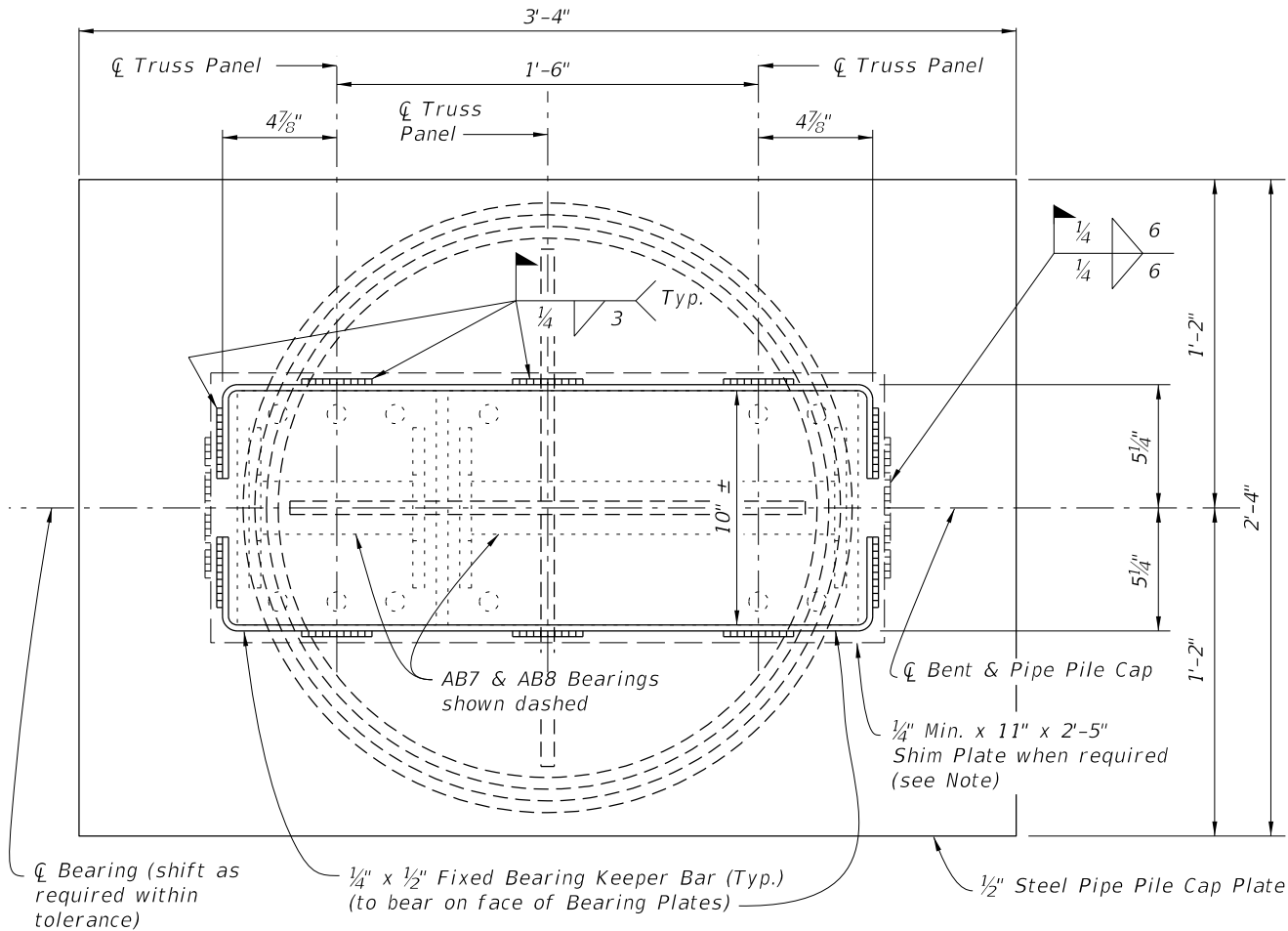
VIEW C-C  
PILE TIP DETAIL



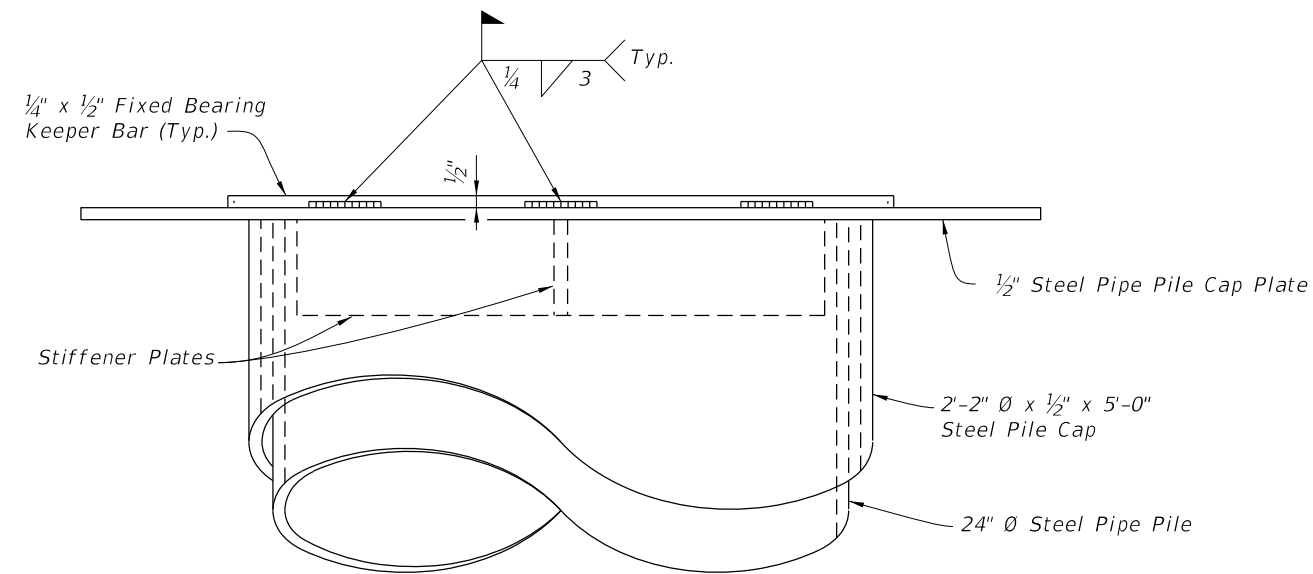
STRUT CONNECTOR PLATE DETAIL

10/23/2018 10:57:06 AM

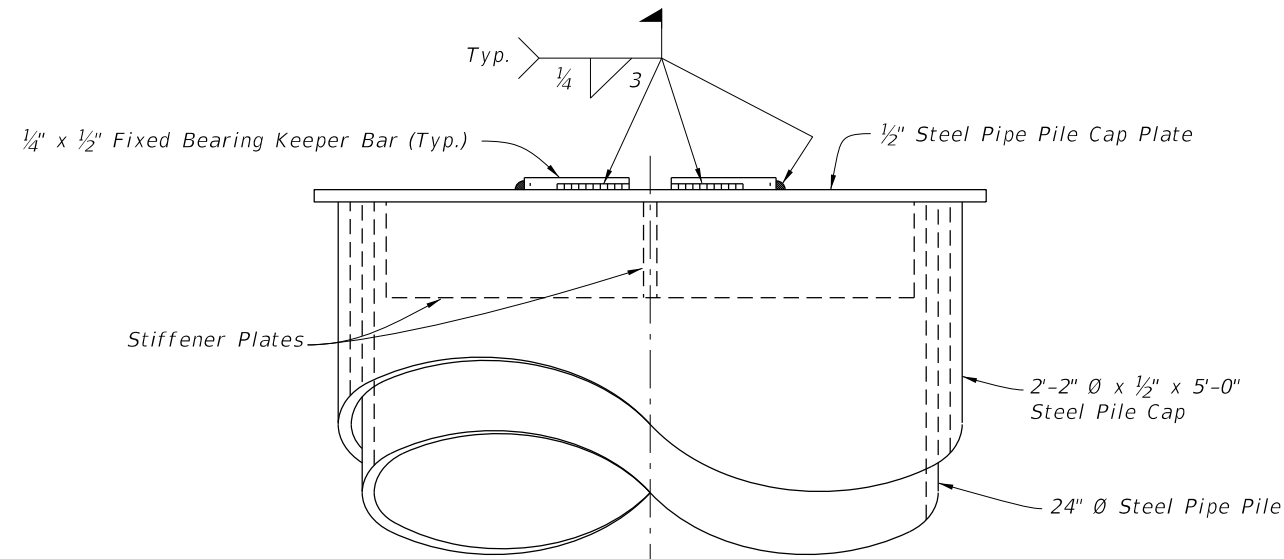
LAST REVISION 07/01/15	REVISION	DESCRIPTION:	 FY 2019-20 STANDARD PLANS	TEMPORARY DETOUR BRIDGE DETAILS STEEL PIPE PILE FOUNDATIONS	INDEX 102-230	SHEET 1 of 3
---------------------------	----------	--------------	--	--	------------------	-----------------



PARTIAL PLAN VIEW

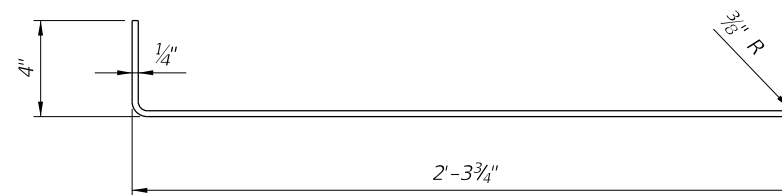


PARTIAL ELEVATION VIEW



END VIEW

Note:  
Use Shim Plates as required to provide equal bearing seat elevations across the bent. Vary thickness of Shim Plate across the pile cap plate to provide a level bearing area in the transverse direction.



FIXED BEARING KEEPER BAR DETAIL

FIXED BEARING DETAILS

10/23/2018 10:57:07 AM

LAST REVISION	DESCRIPTION:
01/01/16	

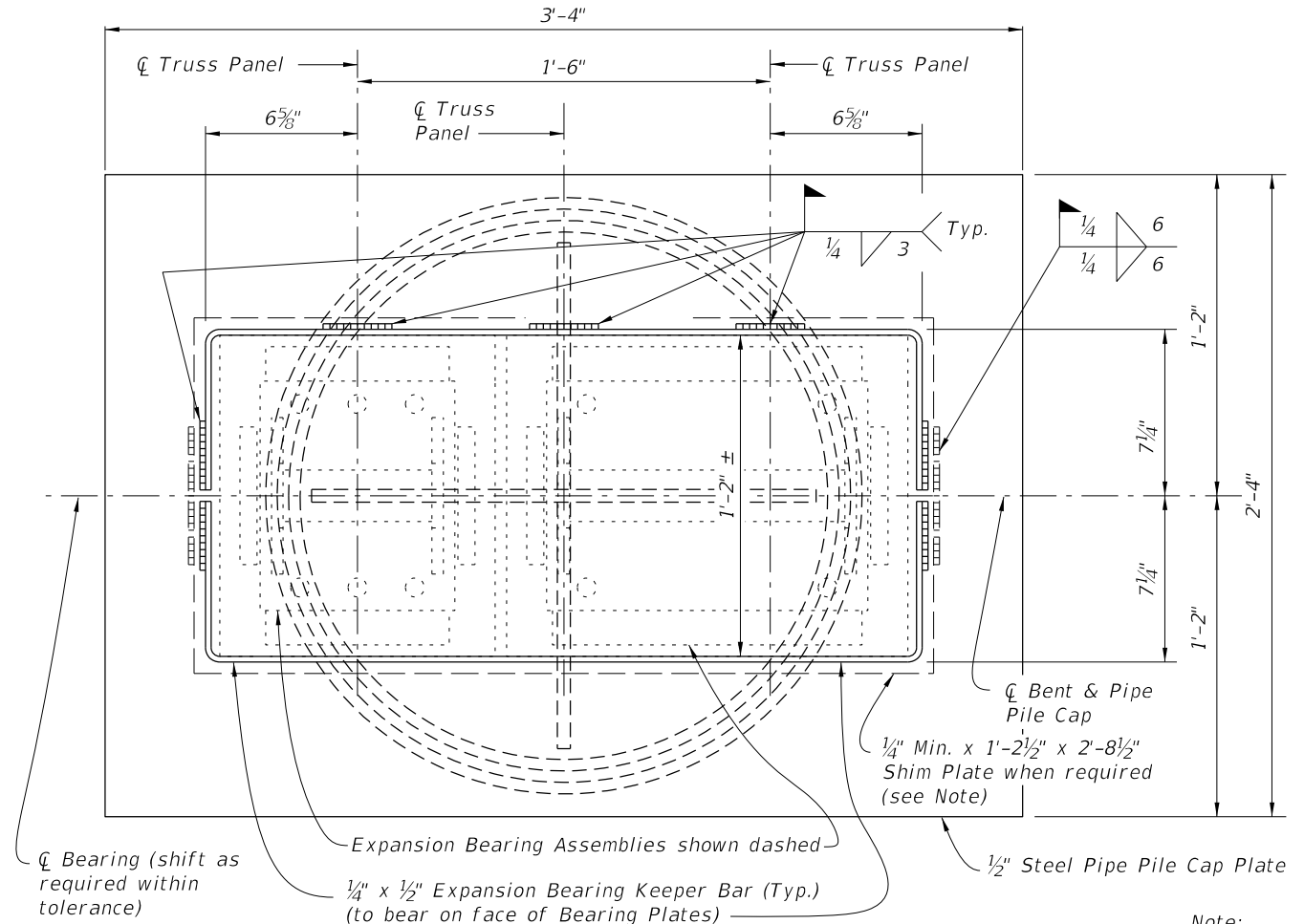


FY 2019-20  
STANDARD PLANS

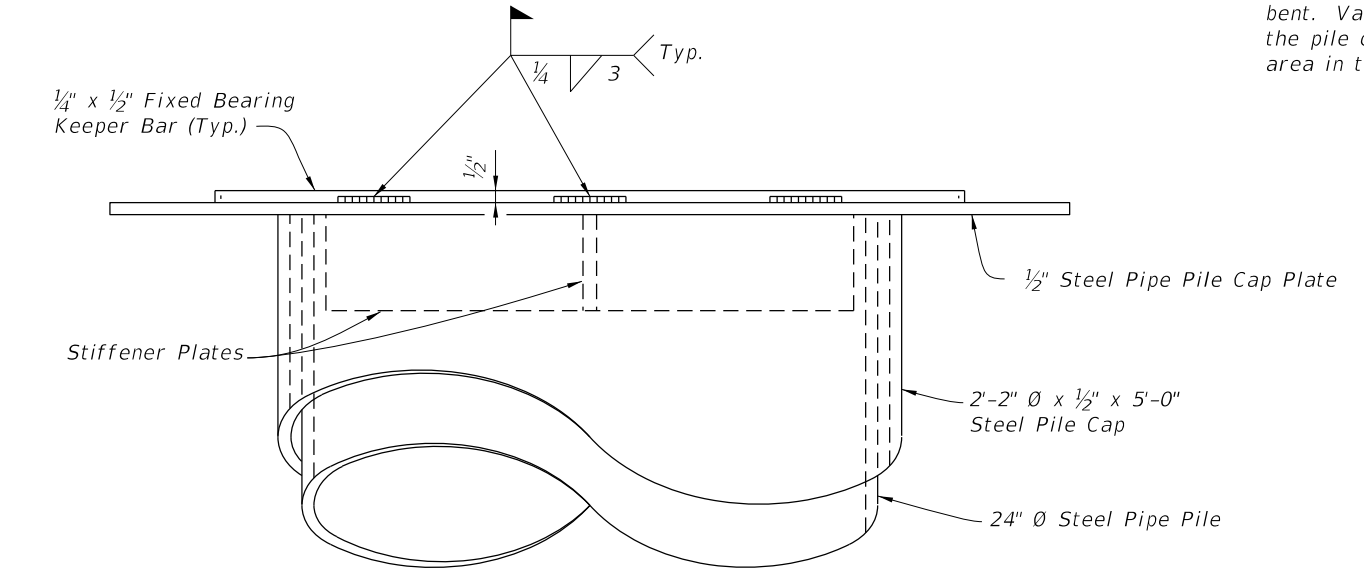
TEMPORARY DETOUR BRIDGE DETAILS  
STEEL PIPE PILE FOUNDATIONS

INDEX  
102-230

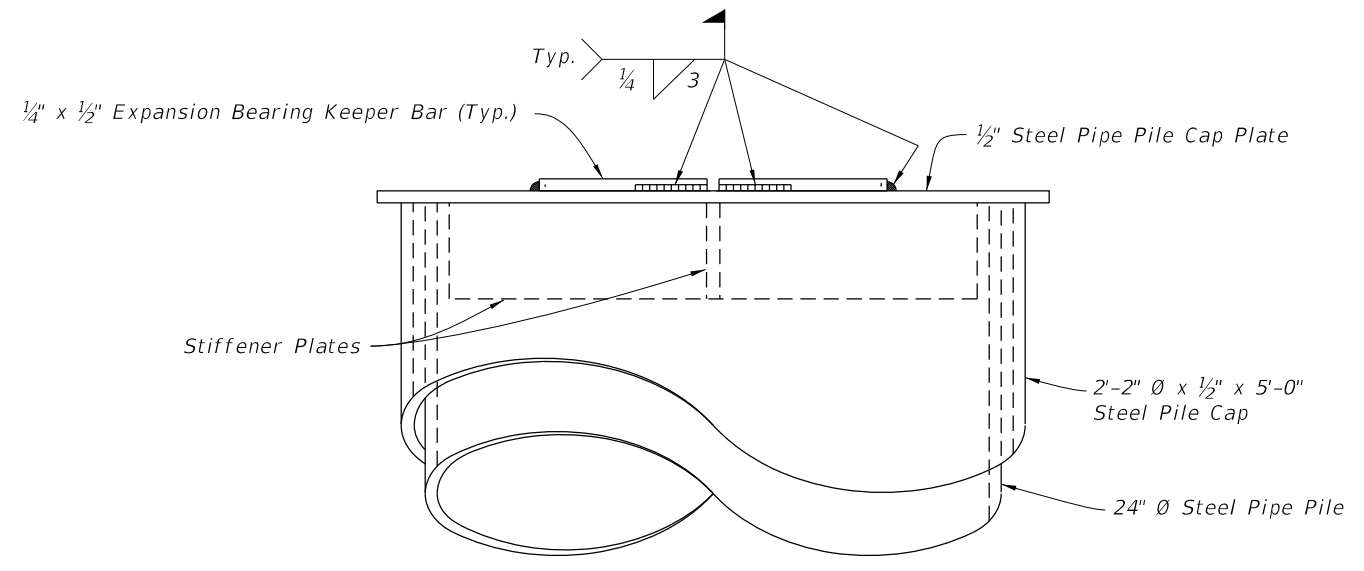
SHEET  
2 of 3



PARTIAL PLAN VIEW

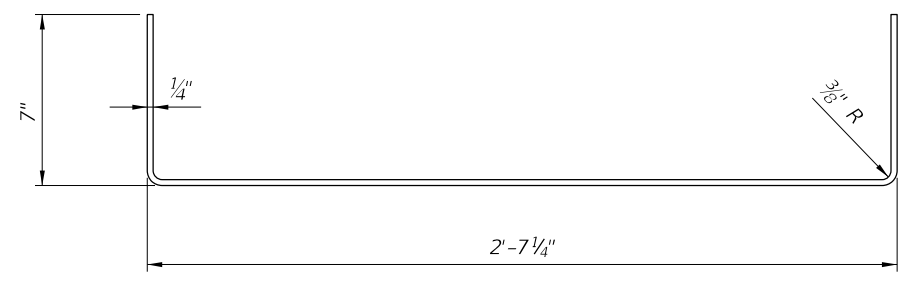


PARTIAL ELEVATION VIEW



END VIEW

Note:  
Use Shim Plates as required to provide equal bearing seat elevations across the bent. Vary thickness of Shim Plate across the pile cap plate to provide a level bearing area in the transverse direction.



EXPANSION BEARING KEEPER BAR DETAIL

ABUTMENT AND INTERMEDIATE EXPANSION BEARING DETAILS

10/23/2018 10:57:08 AM

LAST REVISION 01/01/16	REVISION	DESCRIPTION:	 FY 2019-20 STANDARD PLANS	TEMPORARY DETOUR BRIDGE DETAILS STEEL PIPE PILE FOUNDATIONS	INDEX 102-230	SHEET 3 of 3
---------------------------	----------	--------------	---	--	------------------	-----------------