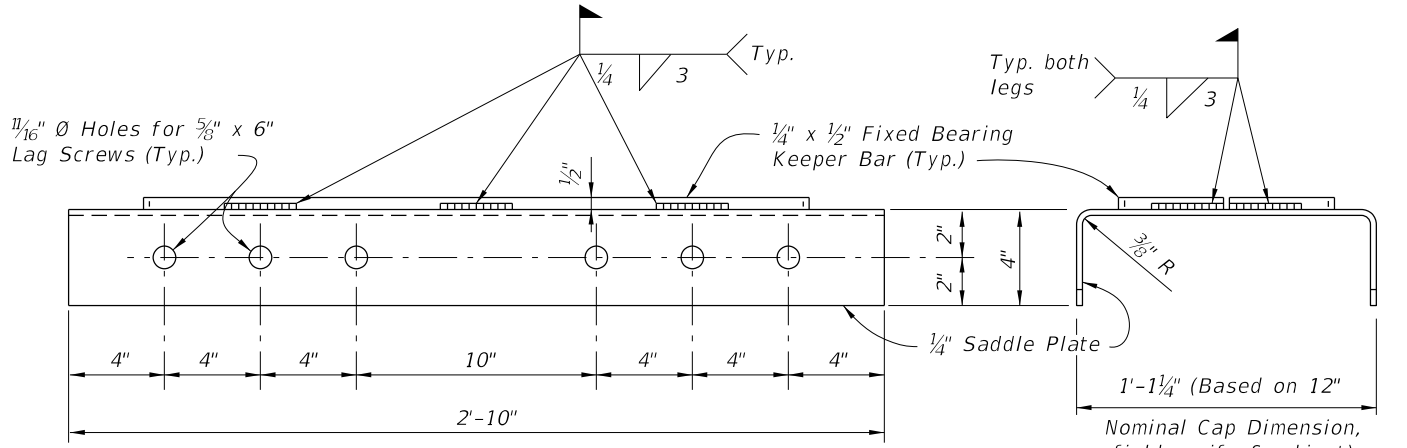
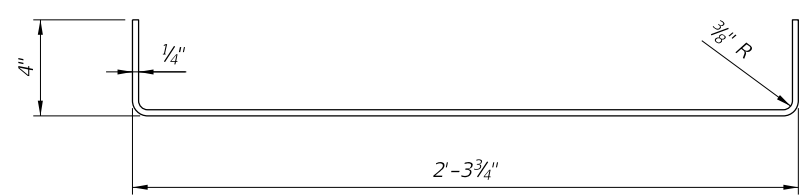


PLAN VIEW



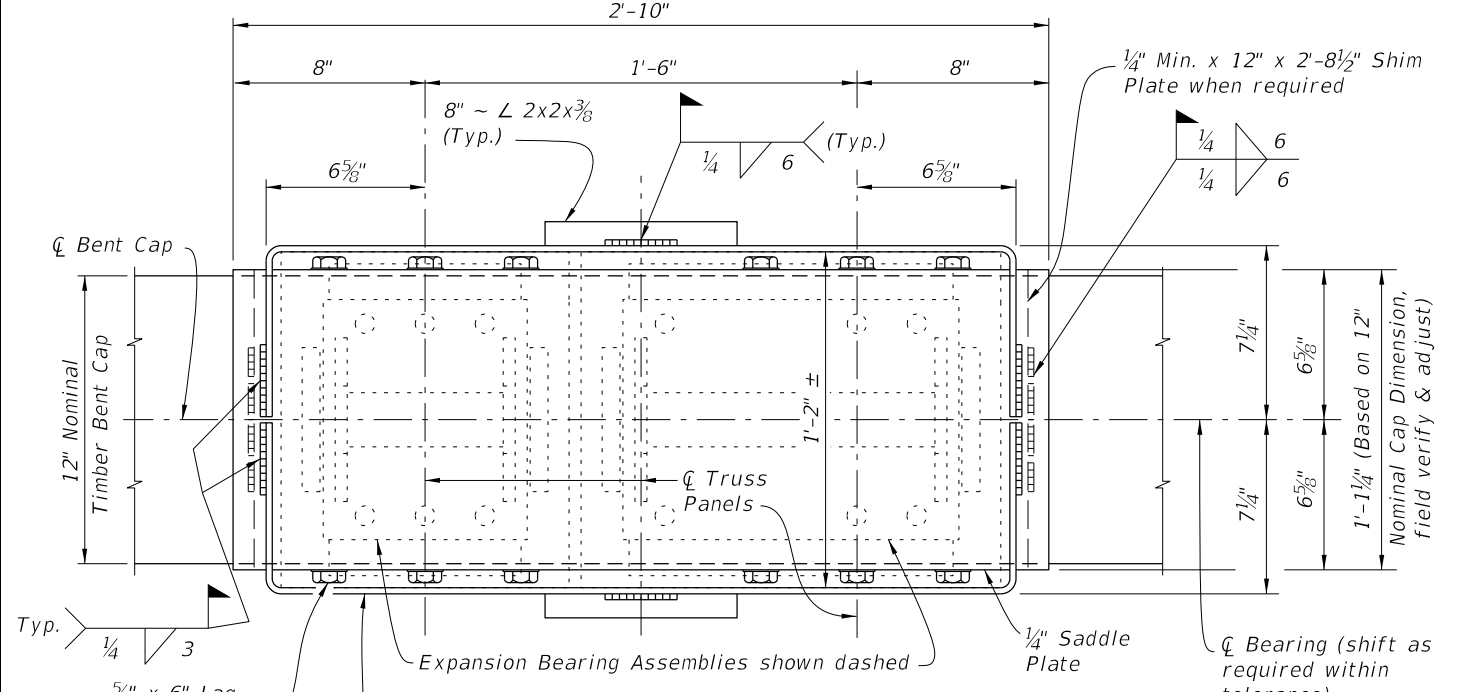
ELEVATION VIEW OF SADDLE PLATE

END VIEW

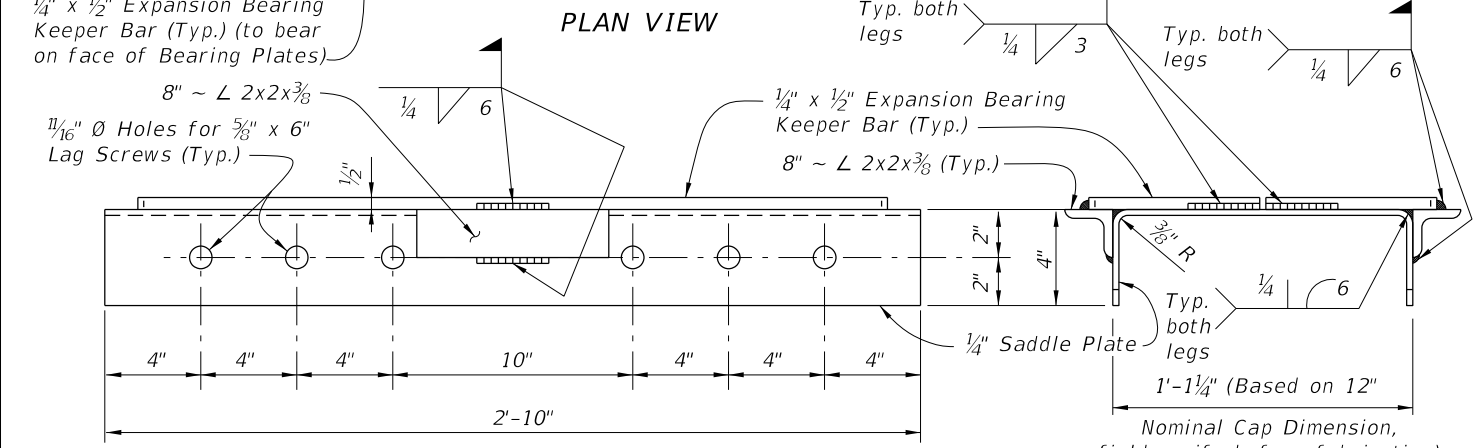


FIXED BEARING KEEPER BAR DETAIL

FIXED BEARING DETAILS

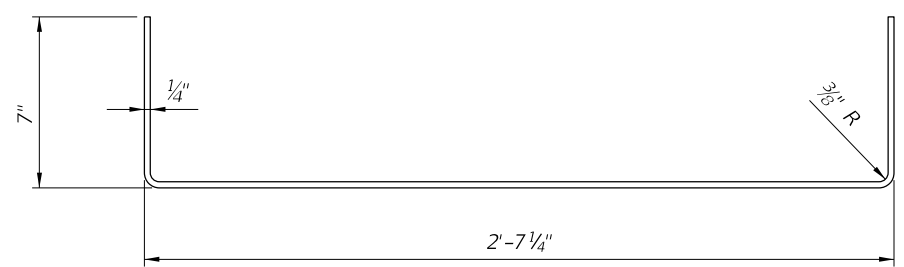


PLAN VIEW



ELEVATION VIEW OF SADDLE PLATE

END VIEW

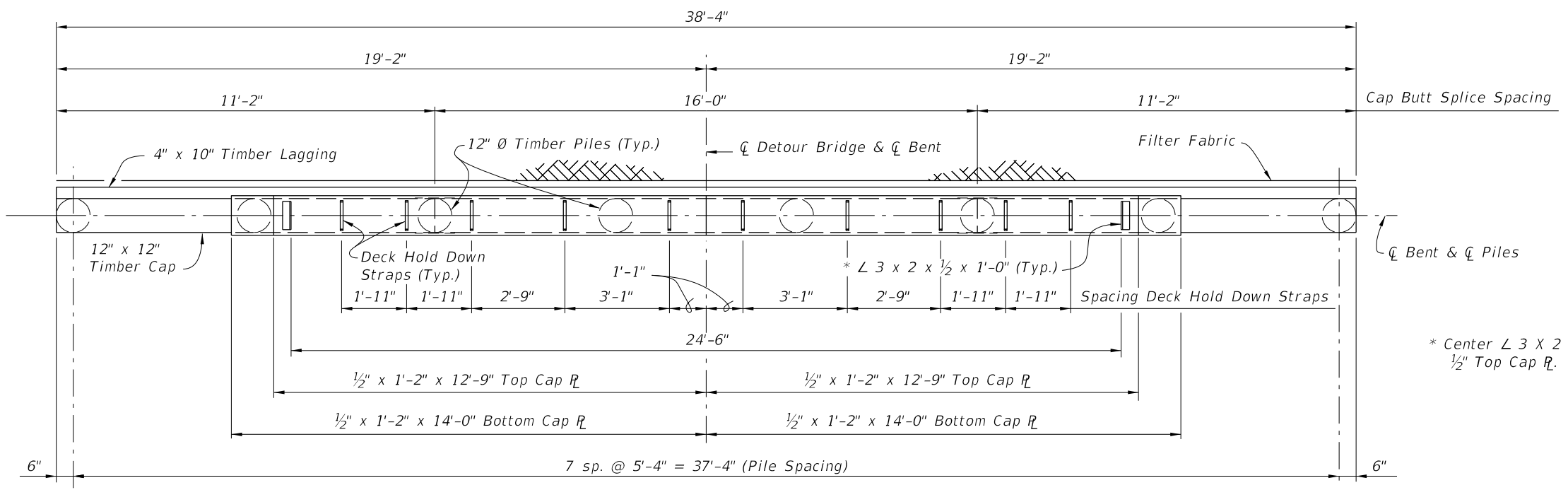


EXPANSION BEARING KEEPER BAR DETAIL

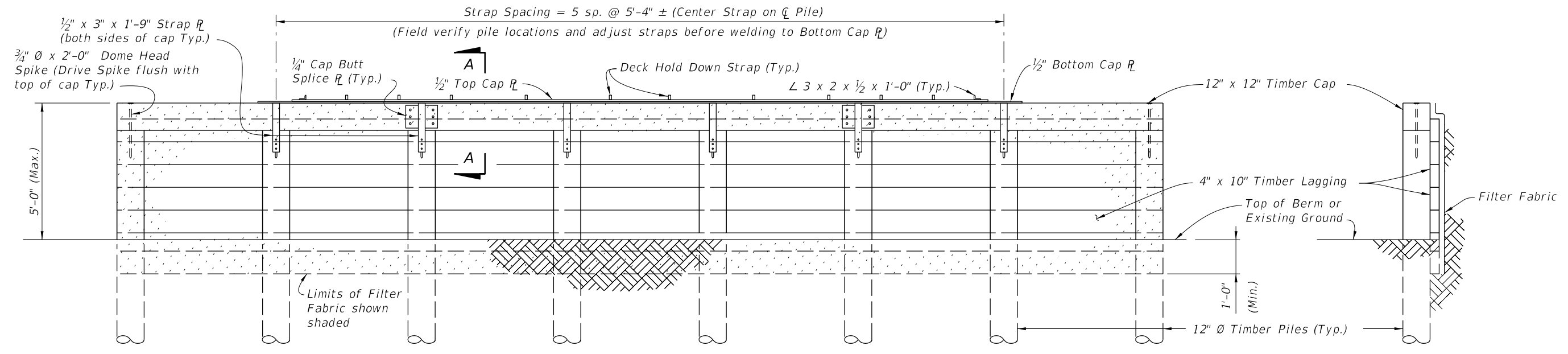
EXPANSION BEARING DETAILS

10/23/2018 10:56:10 AM

LAST REVISION	DESCRIPTION:
01/01/16	



PLAN VIEW



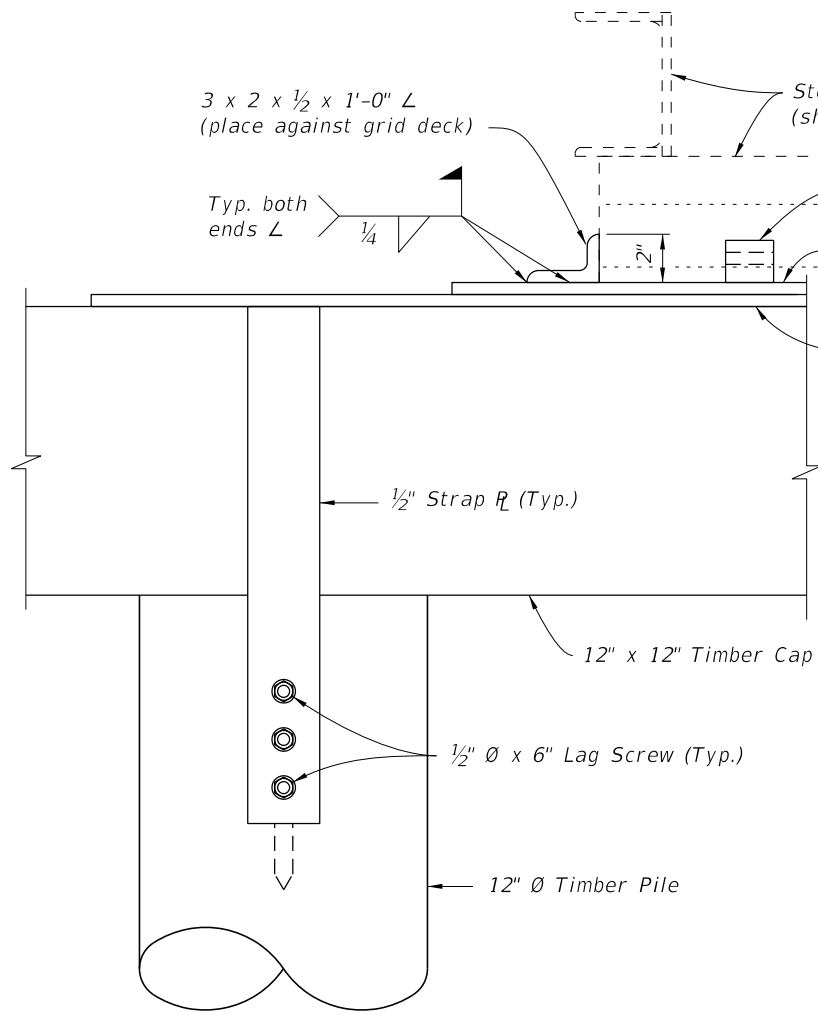
ELEVATION VIEW

END VIEW

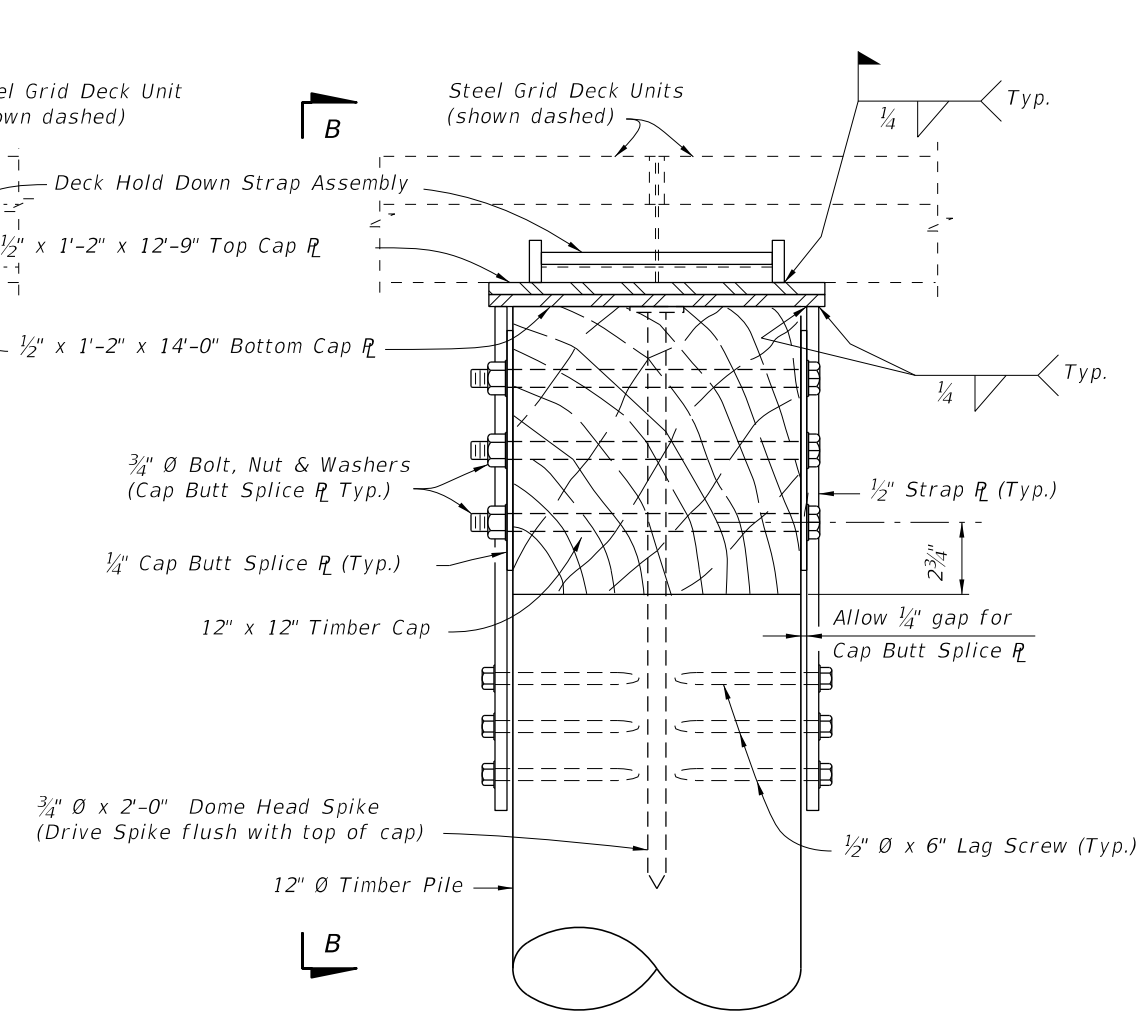
BACKWALL BENT DETAILS

10/23/2018 10:56:11 AM

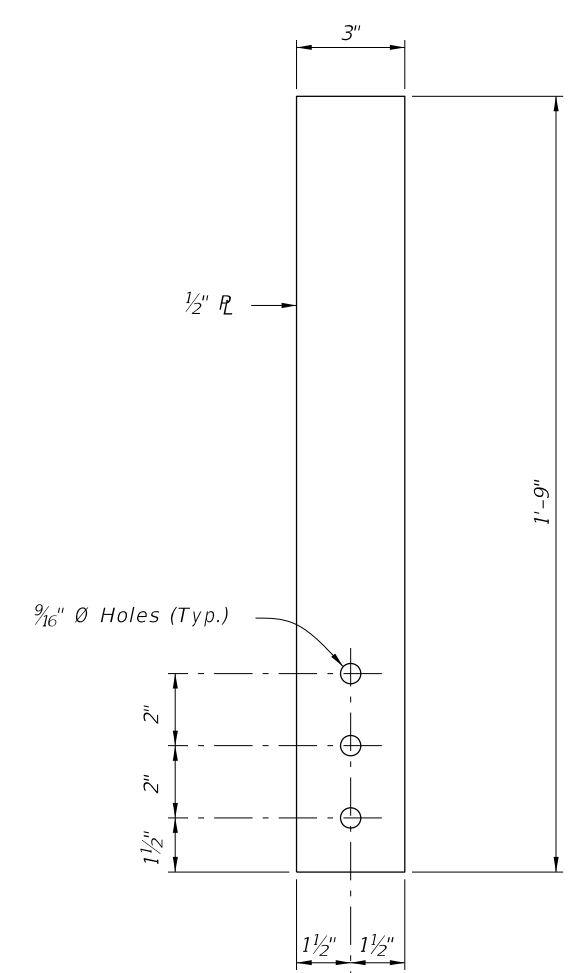
LAST REVISION	07/01/06	DESCRIPTION:		FY 2019-20 STANDARD PLANS	TEMPORARY DETOUR BRIDGE TIMBER PILE FOUNDATIONS	INDEX 102-210	SHEET 2 of 3
---------------	----------	--------------	--------------------------------------------------------------------------------------	------------------------------	----------------------------------------------------	------------------	-----------------



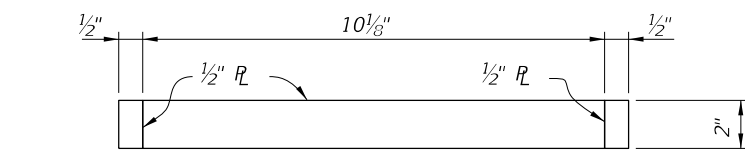
VIEW B-B
 (SHOWING END OF CAP PLATES)



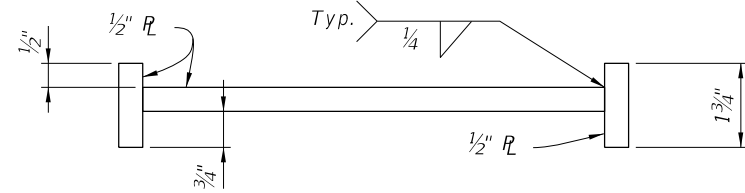
SECTION A-A



STRAP PLATE DETAIL

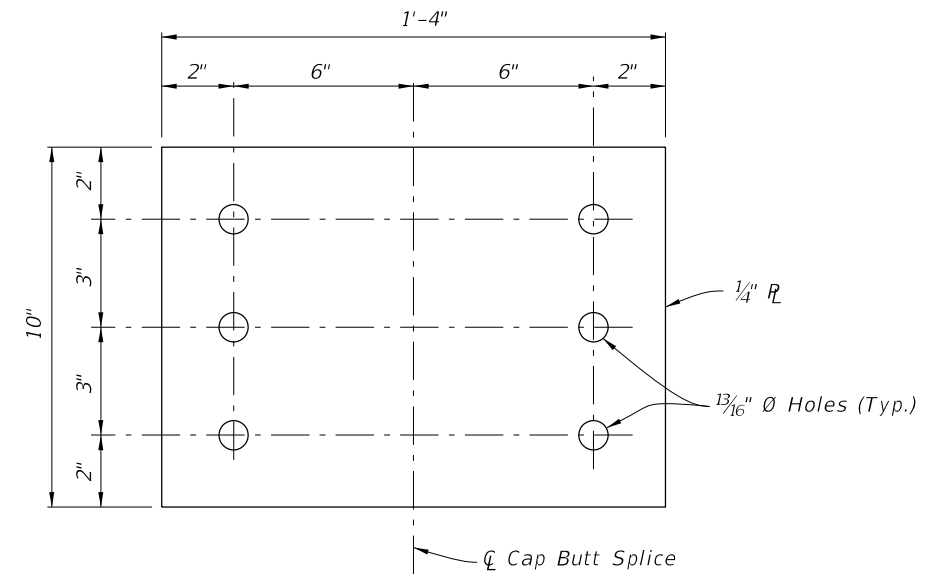


PLAN VIEW



ELEVATION VIEW

HOLD DOWN STRAP ASSEMBLY DETAIL



CAP BUTT SPLICE PLATE DETAIL

BACKWALL BENT DETAILS

10/23/2018 10:56:11 AM

LAST REVISION	DESCRIPTION:
07/01/06	



FY 2019-20
 STANDARD PLANS

TEMPORARY DETOUR BRIDGE
 TIMBER PILE FOUNDATIONS

INDEX
 102-210

SHEET
 3 of 3