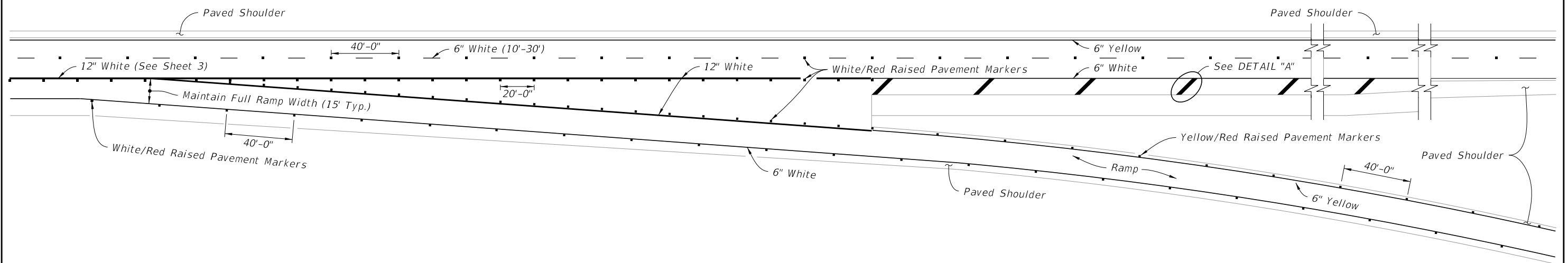


TWO THRU LANES



THREE APPROACH LANES - TWO THRU LANES

Added DETAIL "A" Back

GENERAL NOTES:

1. Make the traffic face of the raised pavement marker (RPM) the same color as the pavement marking that it is supplementing.
2. See Index 706-001 for additional information on RPMs.

SINGLE LANE RAMPS - EXIT TERMINALS

10/18/2018 1:16:28 PM

LAST REVISION	DESCRIPTION:
11/01/17	

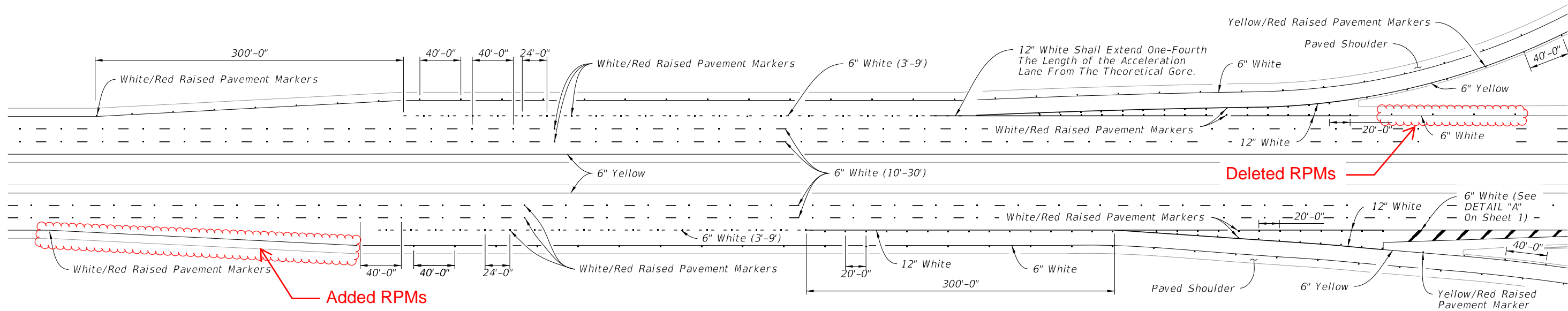


FY 2019-20
STANDARD PLANS

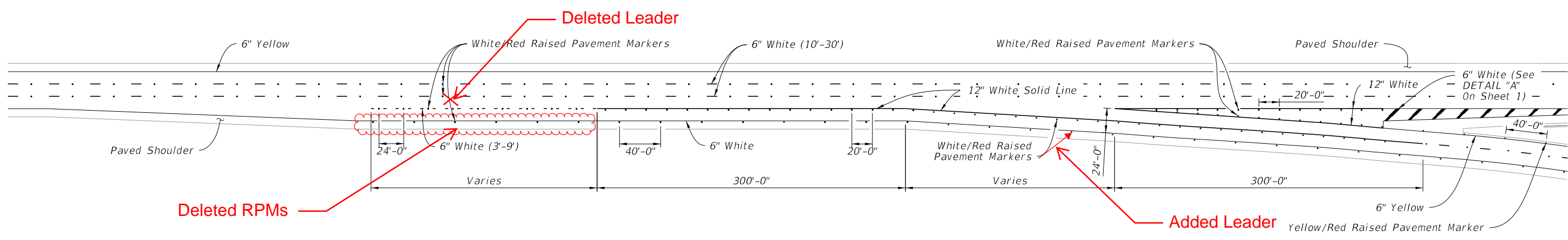
INTERCHANGE MARKINGS

INDEX
711-003

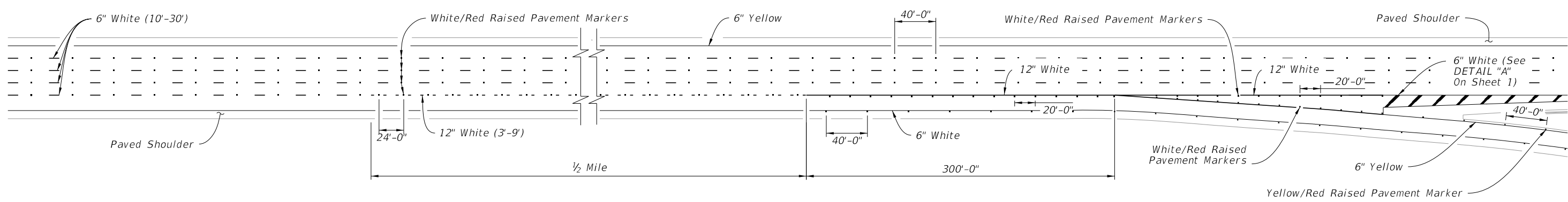
SHEET
1 of 7



PARALLEL ACCELERATION AND DECELERATION LANE



TYPICAL MARKINGS AT DUAL LANE EXITS



TYPICAL LANE DROP MARKINGS AT EXIT RAMP

10/16/2017 10:45:17 AM

LAST REVISION 11/01/17	REVISION	DESCRIPTION:	 FY 2018-19 STANDARD PLANS	INTERCHANGE MARKINGS	INDEX 711-003	SHEET 3 of 7
---------------------------	----------	--------------	--	----------------------	------------------	-----------------