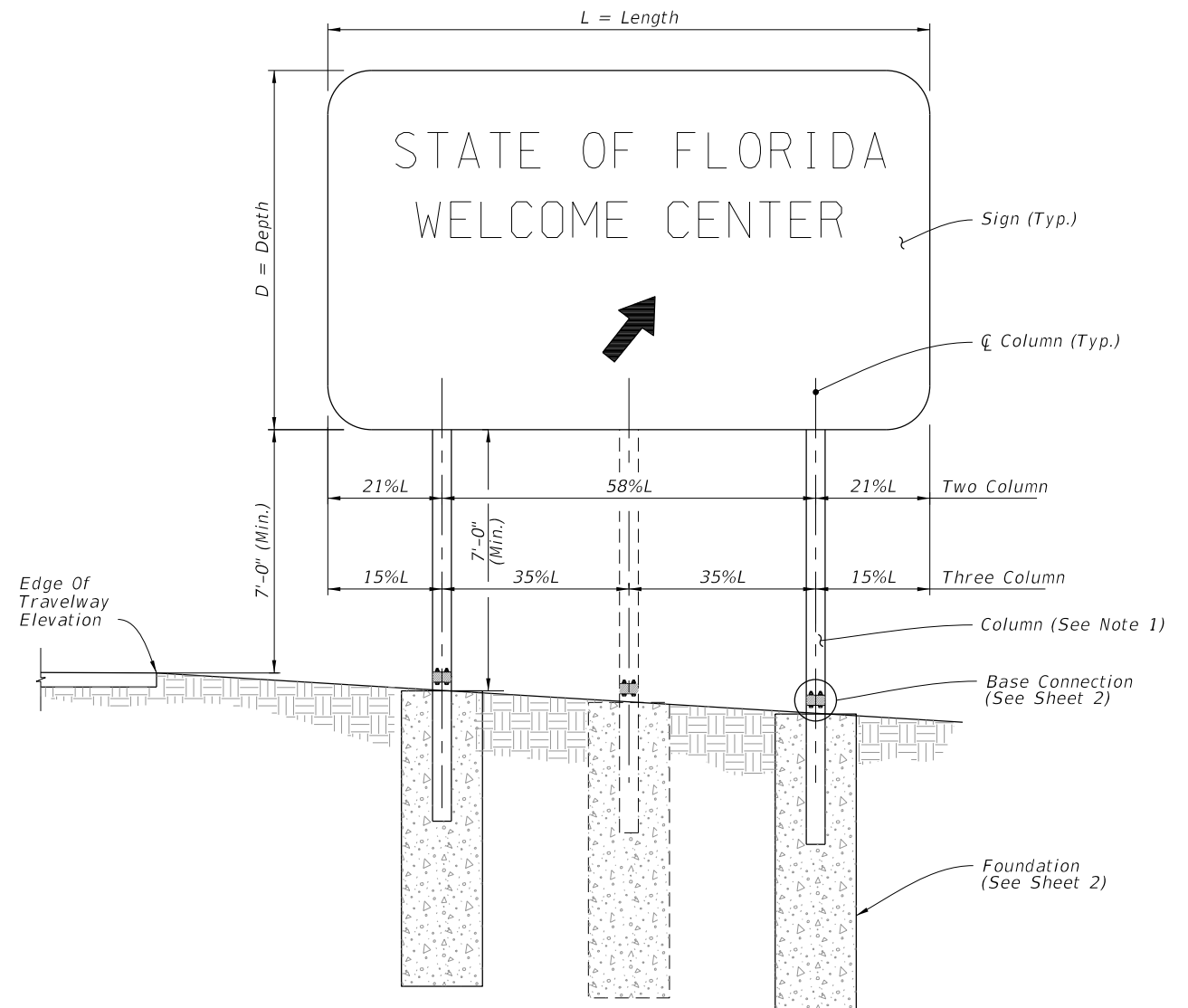
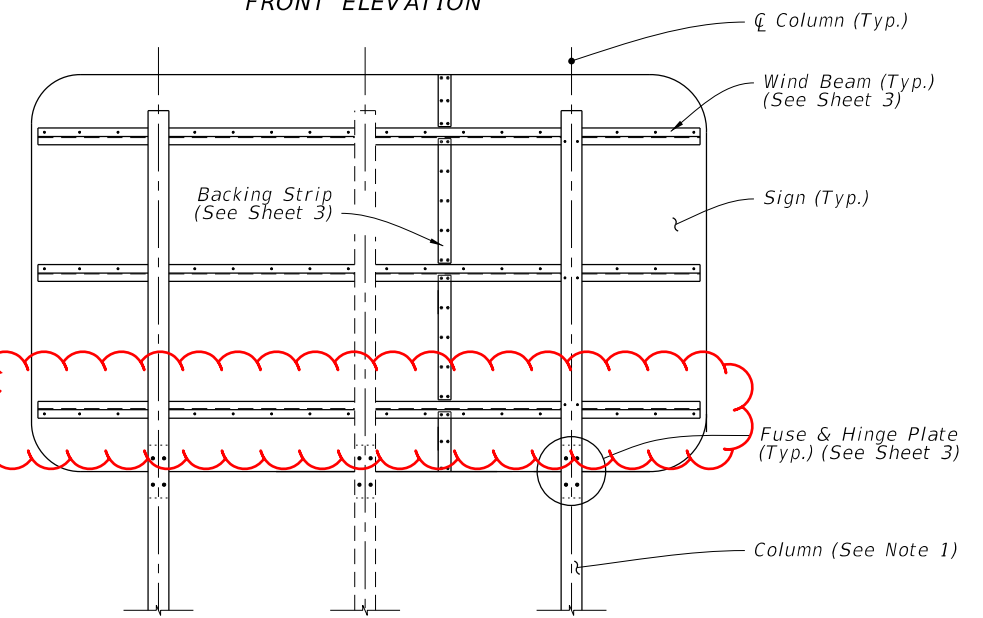


GENERAL NOTES:

1. Verify Column lengths in the field prior to fabrication.
2. Shop drawings:
 - A. Sign Support Shop drawings are not required when fabricated in accordance with this Index and support columns do not exceed the length shown in the plans by more than 2'-0".
 - B. Sign Panels: Horizontal panel splices are allowed at interior wind beams for sign panels with a depth ("D") greater than 10 feet. Shop drawings required for horizontal panel splice details.
 - C. When shop drawings are required, obtain approval prior to fabrication.
3. Materials:
 - A. Sign Panel Mounting Materials:
 - a. Aluminum Bars, and Extruded Shapes: ASTM B221, Alloy 6061-T6 or Alloy 6351-T5
 - b. Aluminum Structural Shapes: ASTM B308, Alloy 6061-T6
 - B. Sign Support Structure Materials:
 - a. Steel Plates and Structural Shapes: ASTM A36 or ASTM A709, Grade 36
 - b. Steel Weld Metal: E70XX
 - c. Shims: Brass ASTM B36 or Galvanized Steel
 - C. Aluminum Bolts, Nuts and Washers:
 - a. Flat Head and Button Head Bolts: ASTM F 468, Alloy 2024-T4
 - b. Hex Nuts: ASTM F467, 2024-T4
 - c. Washers: ASTM B221, Alloy 2024-T4
 - D. Stainless Steel Bolts, Nuts and Washers Alloy Group 2, Condition A, may be substituted for the Aluminum bolts as follows:
 - a. Bolts: ASTM F593, CW1 or SH1
 - b. Nuts: ASTM F594,
 - E. High Strength (H.S.) Steel Bolts, Nuts and Washers:
 - a. Galvanized Hex Head Bolts: ASTM F3125, Grade A325, Type 1
 - b. Galvanized Nuts: ASTM A563 Hex, Grade DH
 - c. Galvanized Washers: ASTM F436
 - F. Concrete: Class I.
 - G. Reinforcing Bars or Welded Wire Reinforcement (WWR): Specification 415
4. Coatings:
 - A. Aluminum Fasteners: Anodic coating (0.0002 inches min.) and chromate sealed
 - B. Galvanize High Strength Steel Bolts Nuts and Washers: ASTM F2329
 - C. Galvanize all other steel items (excluding stainless steel); Hot-dip ASTM A123
 - D. Treat damaged galvanizing in accordance with Specification 562
5. Fabrication:
 - A. All Base Connections and Stub Column materials are steel unless otherwise specified.
 - B. Drill or sub-punch and ream holes in Fuse Plates and Hinge Plates
 - C. Weld Base Plate to Post & Stub or if using the Alternate Connection Detail weld Base Plate and Stiffeners to Post and Stub (Sheet 2)
 - D. Hot dip galvanize after fabrication; Remove all drips, runs or beads on base plate within washer contact areas (Including saw cuts)
6. Construction:
 - A. Install the Sign Structure foundation in accordance with Specification 455. Orient Stub Post according to direction of traffic (Sheet 2)
 - B. Tighten all high strength bolts except Base Bolts in accordance with Specification 700.
 - C. Assemble Post to Stub with Base Bolts and three flat washers per bolt (See Base Connection Details, Sheet 2). Tighten Base Bolts in accordance with Instructions Notes on Sheet 2.



FRONT ELEVATION




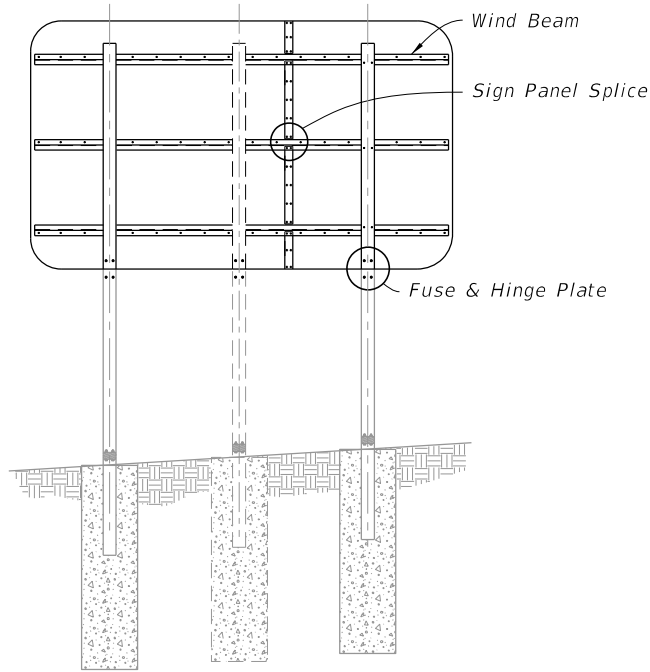
BACK ELEVATION

MULTI-COLUMN SIGN ASSEMBLY

CORRECTED WIND BEAM ORIENTATION

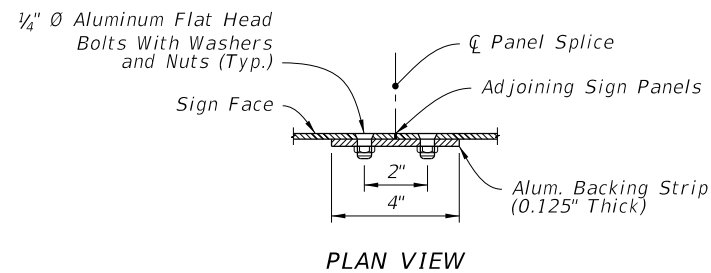
10/18/2018 12:47:33 PM

LAST REVISION 11/01/18	REVISION	DESCRIPTION:	 FY 2019-20 STANDARD PLANS	MULTI-COLUMN GROUND SIGN	INDEX 700-020	SHEET 1 of 3
---------------------------	----------	--------------	---	--------------------------	------------------	-----------------

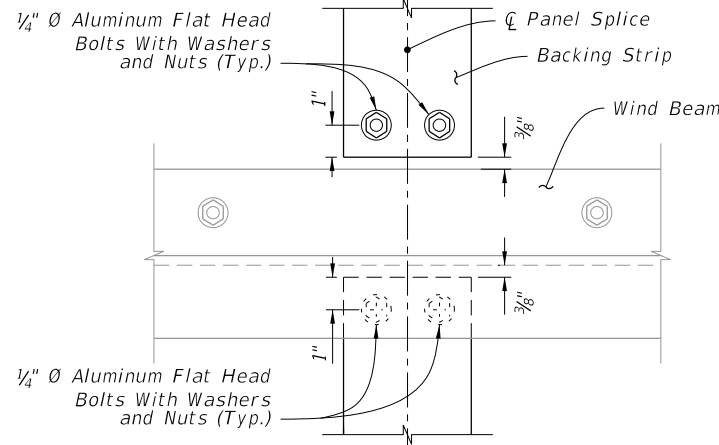


BACK ELEVATION

MULTI-COLUMN SIGN ASSEMBLY



PLAN VIEW

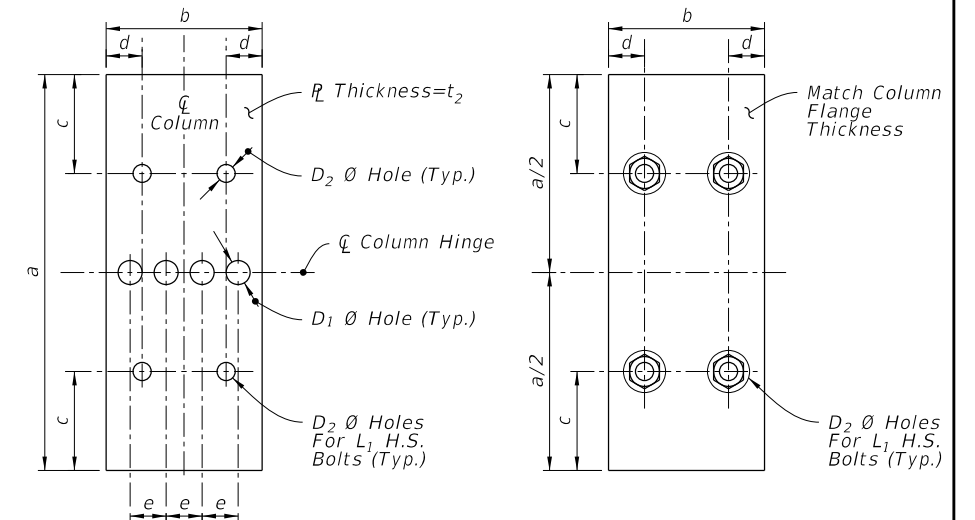


ELEVATION

SIGN PANEL SPLICE

FUSE (HINGE) PLATE DATA									
Steel Section*	a	b	c	d	e	t ₂	D ₁	D ₂	L ₁
S 3x5.7	7-1/4"	2-3/8"	1-1/4"	1/2"	9/16"	3/8"	7/16"	9/16"	1/2"
W 6x12	7-1/4"	4"	1-1/4"	7/8"	15/16"	3/8"	13/16"	11/16"	5/8"
W 8x18	8-1/4"	5-1/4"	1-3/8"	1-1/8"	1-1/4"	3/8"	1"	13/16"	3/4"
W 8x24	8-1/4"	6-1/2"	1-3/8"	1-1/2"	1-1/2"	1/2"	1"	13/16"	3/4"
W 10x33	9-1/4"	8"	2"	1-3/4"	1-3/4"	5/8"	1-1/8"	1-1/16"	1"
W 12x45	11"	8"	2"	1-3/4"	1-3/4"	3/4"	1-5/16"	1-1/16"	1"

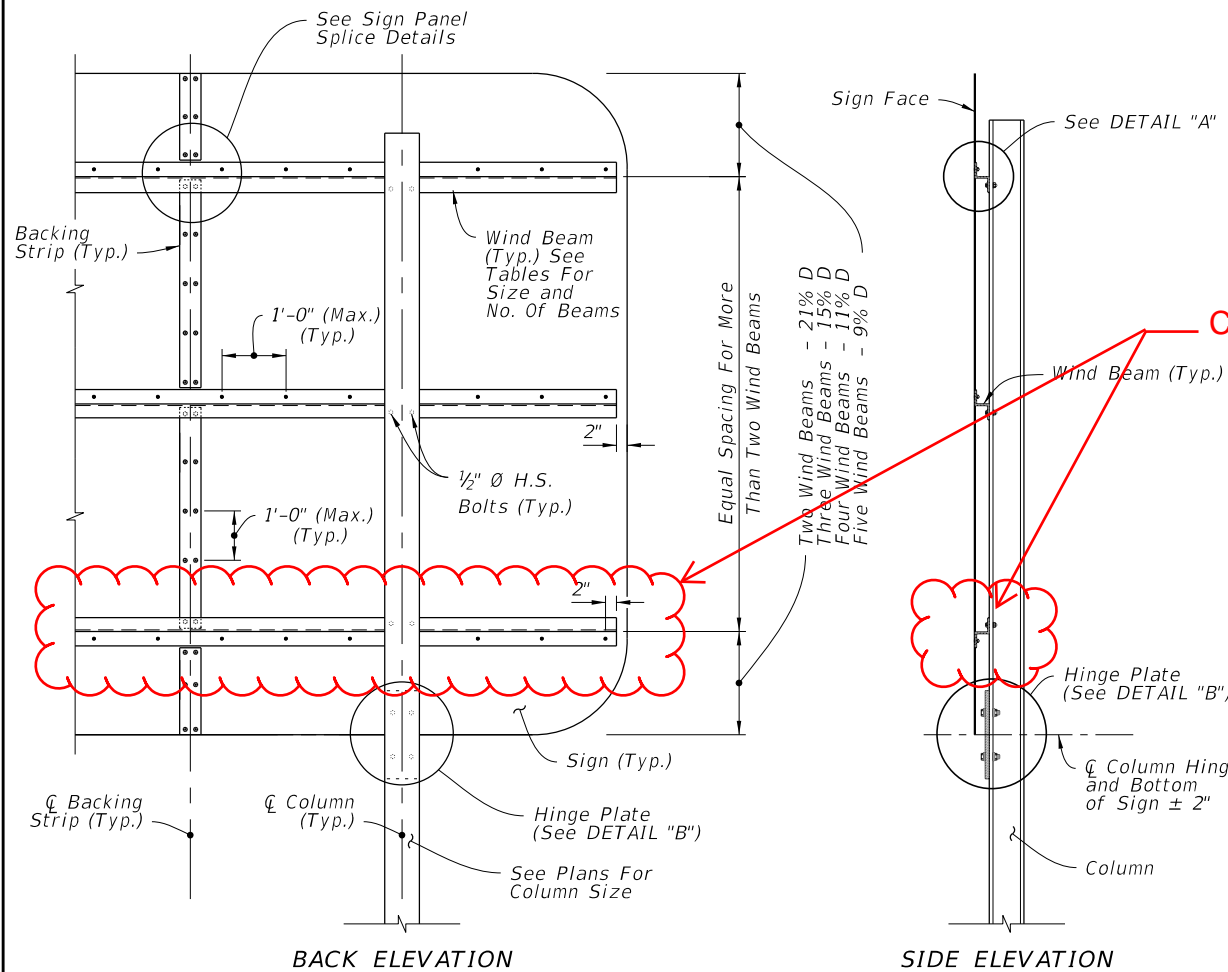
* Designations: (Nominal Depth in inches) x (Weight in Pounds Per Linear Foot)



FUSE PLATE

HINGE PLATE

FUSE & HINGE PLATE



BACK ELEVATION

SIDE ELEVATION

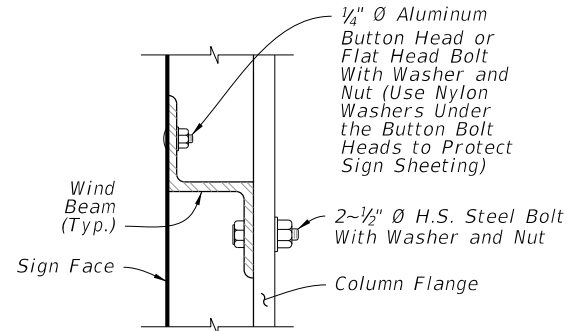
MULTI-COLUMN SIGN BACK PANEL

NUMBER OF WIND BEAMS BASED ON SIGN DEPTH (D)			
2 Beams	3 Beams	4 Beams	5 Beams
D ≤ 8'	8' < D ≤ 12'	12' < D ≤ 16'	16' < D ≤ 20'

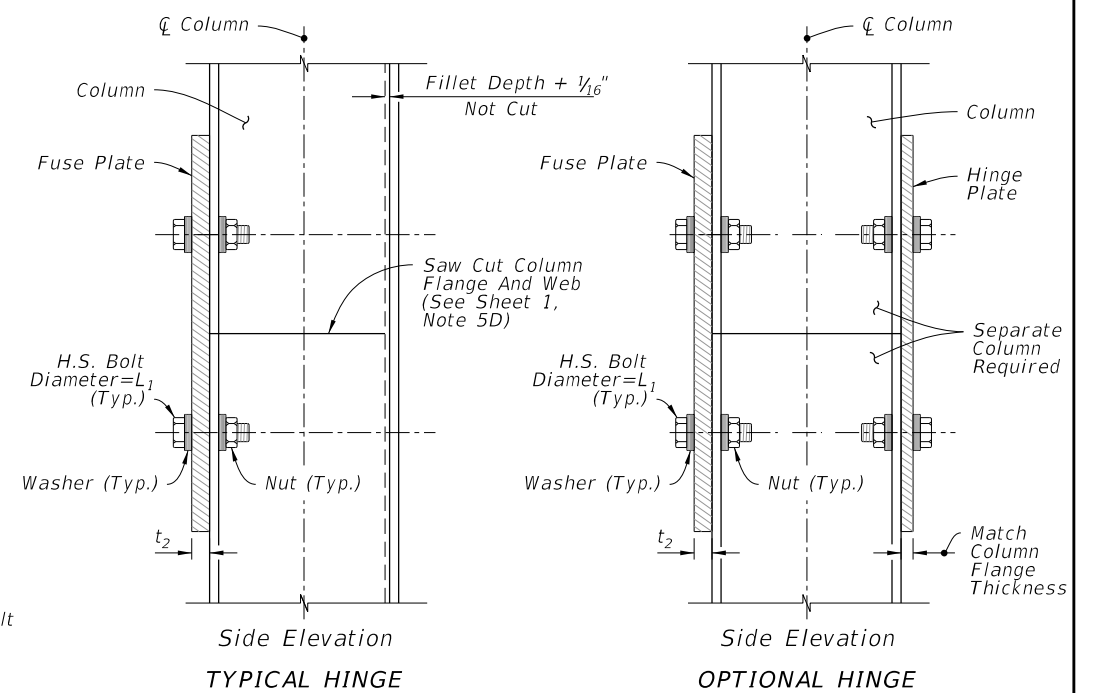
CORRECTED WIND BEAM ORIENTATION

WIND BEAM SIZE BASED ON SIGN LENGTH (L)		
2 Columns	3 Columns	Aluminum Beam Size **
L ≤ 12'	L ≤ 18'	Z 1-3/4 x 1-3/4 x 1.09
12' < L ≤ 20'	18' < L ≤ 30'	Z 3 x 2-1/16 x 2.33
20' < L ≤ 25'	30' < L ≤ 39'	Z 4-1/16 x 3-1/8 x 3.57

**Designation gives (Member Depth in inches) x (Flange Width in inches) x (lb/ft)



DETAIL "A"



SIDE ELEVATION
TYPICAL HINGE

SIDE ELEVATION
OPTIONAL HINGE

(See Fabrication Notes on Sheet 1)

DETAIL "B"

WIND BEAM, BACKING STRIP & FUSE/HINGE PLATE DETAILS

10/18/2018 12:47:35 PM

LAST REVISION	DESCRIPTION:
11/01/18	



FY 2019-20
STANDARD PLANS

MULTI-COLUMN GROUND SIGN

INDEX SHEET
700-020 3 of 3