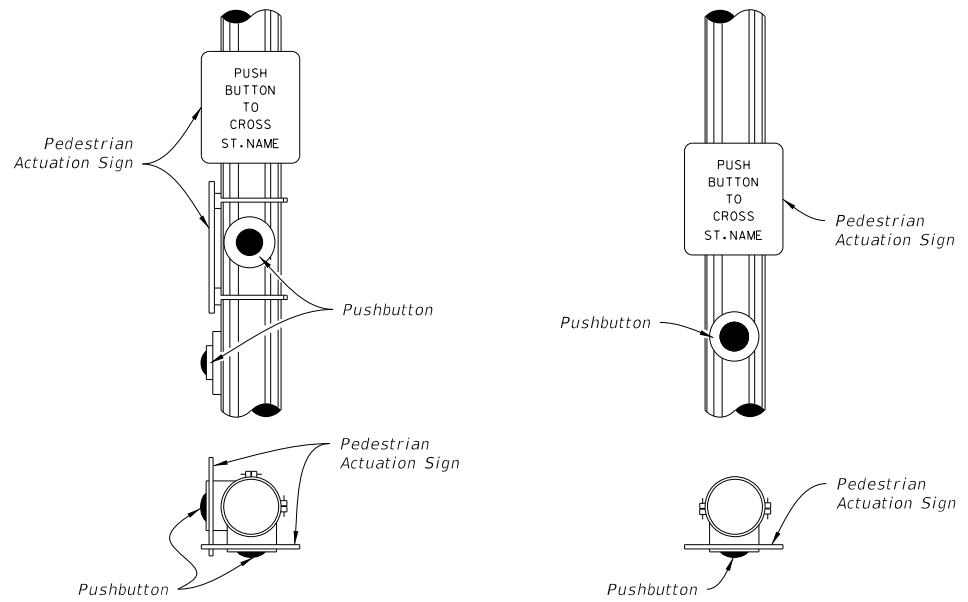


PUSHBUTTON PEDESTRIAN DETECTORS



DETAIL "A"

Corrected for clarification

- NOTES:**
1. Mount Signs above the detectors. See Index 700-102 for sign details.
  2. Install Pushbuttons and Pedestrian Actuation Signs with face perpendicular to the crossing direction.
  3. Mount pushbuttons and Signs in accordance with Specification 665.
  4. Install all grounding per Specification 620.
  5. Pushbutton mounting height shown above is taken at the center of the actuation switch.

10/24/2018 3:46:04 PM

LAST REVISION 11/01/18	REVISION	DESCRIPTION:		FY 2019-20 STANDARD PLANS	PEDESTRIAN DETECTOR ASSEMBLY INSTALLATION DETAILS	INDEX 665-001	SHEET 1 of 1
---------------------------	----------	--------------	--	------------------------------	--	------------------	-----------------