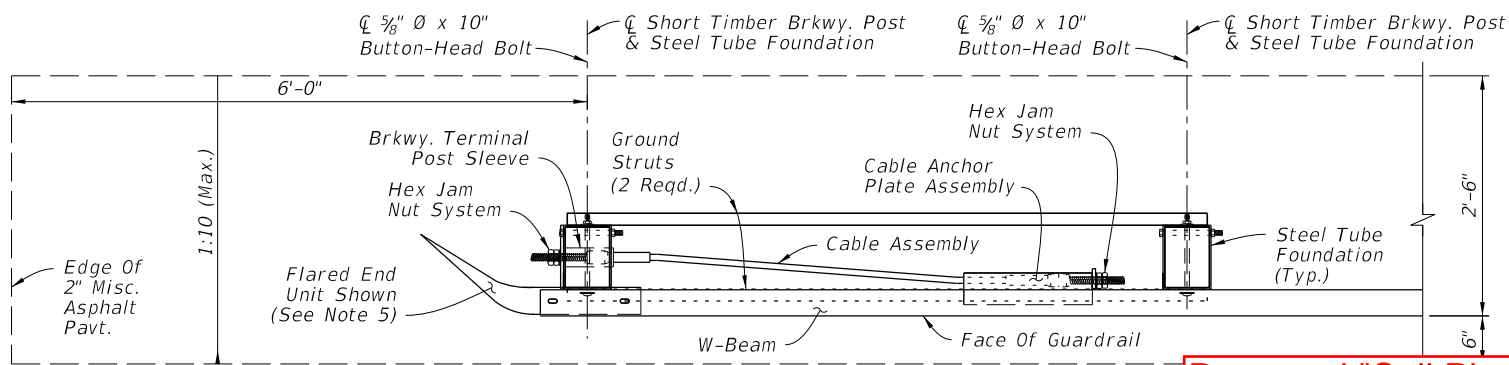
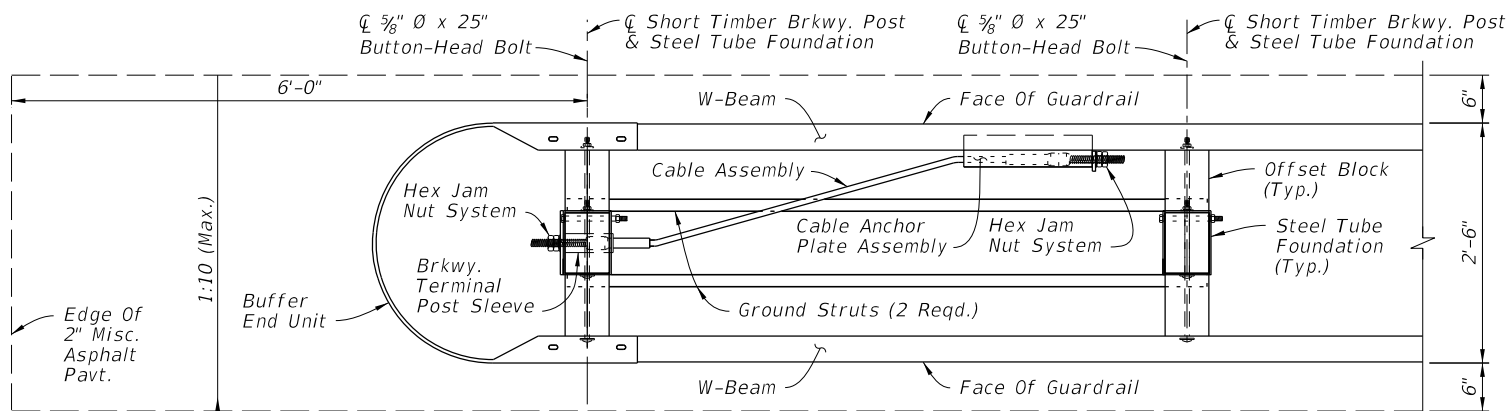


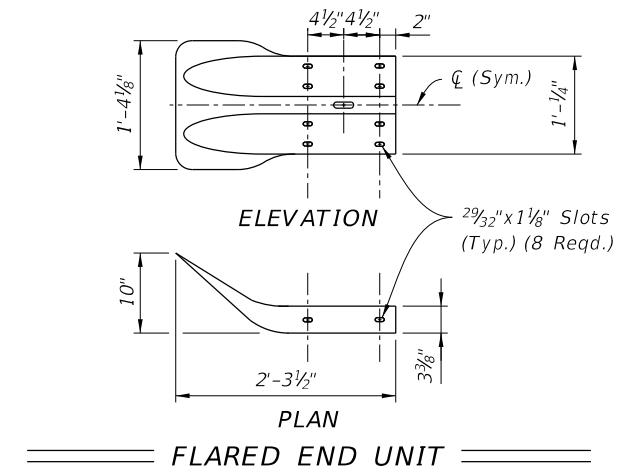
INSTALLED ELEVATION



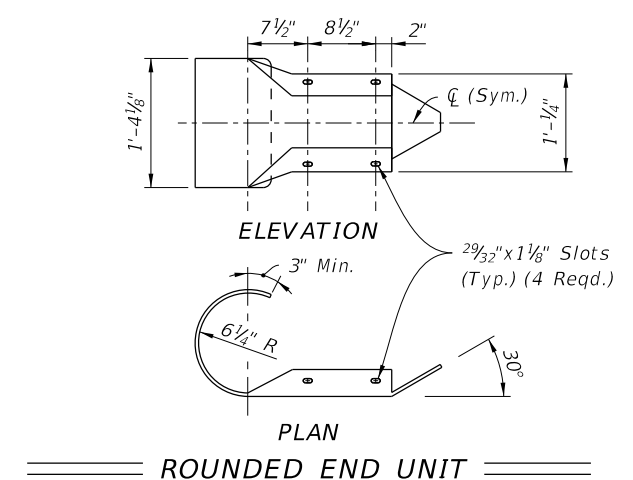
SINGLE FACE TRAILING ANCHORAGE INSTALLED PLAN



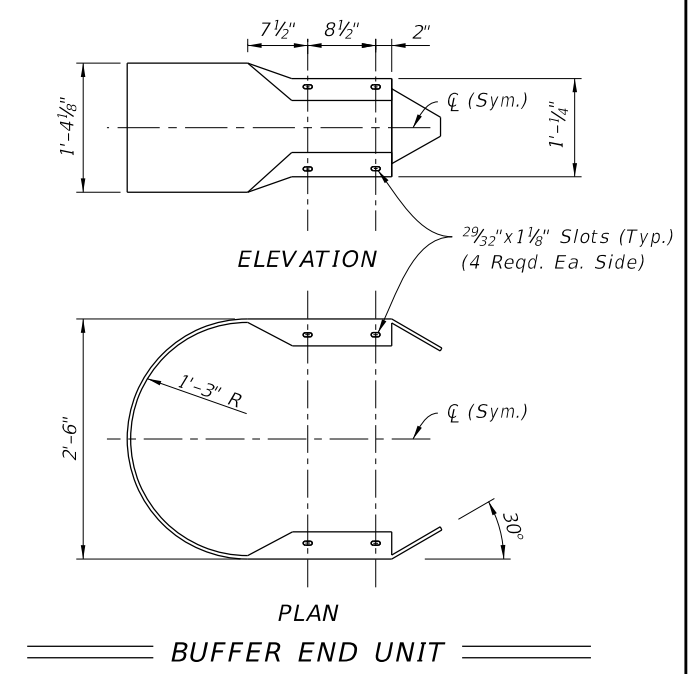
DOUBLE FACE TRAILING ANCHORAGE INSTALLED PLAN



FLARED END UNIT



ROUNDED END UNIT



BUFFER END UNIT

NOTES:

- COMPONENT DETAILS: For additional component details, See Sheet 10.
- END UNITS: Use materials for end units as defined in Specifications Section 967. End Units are referred to as "End or Buffer Sections" in AASHTO M180.
Lap the Flared End Unit behind the W-Beam; lap the Rounded and Buffered End Units over the face of the W-Beam.
- FOUNDATIONS: Install Steel Tubes ~~with attached Soil Plates~~ by either of the following methods:
 - Excavate, backfill, and compact material to provide full passive soil resistance to all surfaces of the Tube ~~and Soil Plate~~.
 - Drive the Tube ~~and Soil Plate as a single unit~~ using a dummy timber post to prevent damage to the Breakaway Post.
- GENERAL GUARDRAIL: General Guardrail typically includes Panels and Post Spacing as shown on Sheet 2, including parallel and tapered segments. Transitions, Low-Speed Guardrail, or Reduced Post Spacing Guardrail segments may be substituted for the General Guardrail shown herein if indicated in the plans.
- SIDEWALK REQUIREMENTS: When sidewalks are located adjacent to the End Treatment, install a Rounded End Unit (Flared End Unit not permitted for this case).
- END DELINEATOR: Mount retroreflective sheeting to the approach face of the End Unit in accordance with Specification Sections 536 and 967.

END TREATMENT - TRAILING ANCHORAGE

10/25/2018 9:03:08 AM

LAST REVISION 11/01/18	DESCRIPTION:
---------------------------	--------------

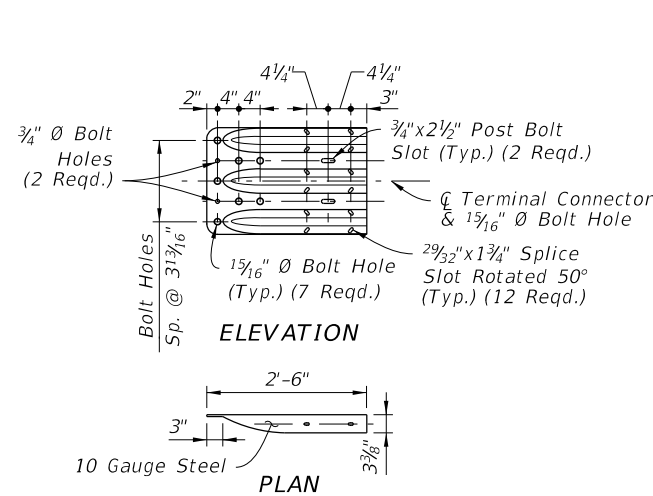


FY 2019-20
STANDARD PLANS

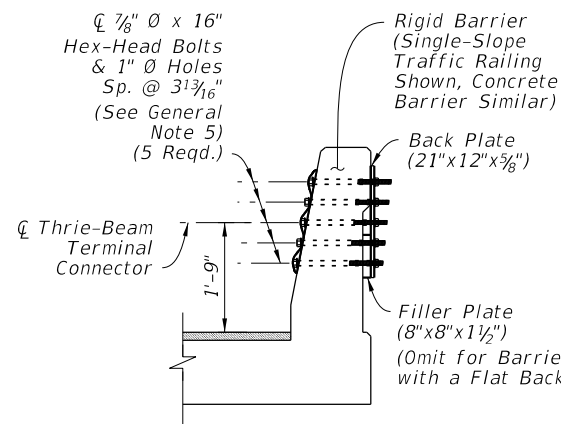
GUARDRAIL

INDEX
536-001

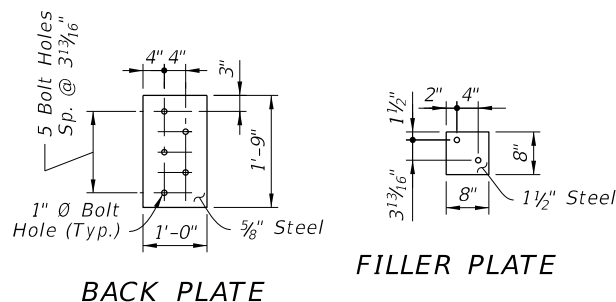
SHEET
9 of 22



THRIE-BEAM TERMINAL CONNECTOR DETAIL

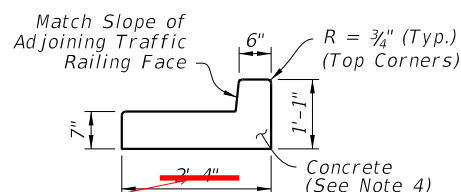


SECTION A-A RIGID BARRIER TERMINAL CONNECTOR MOUNT

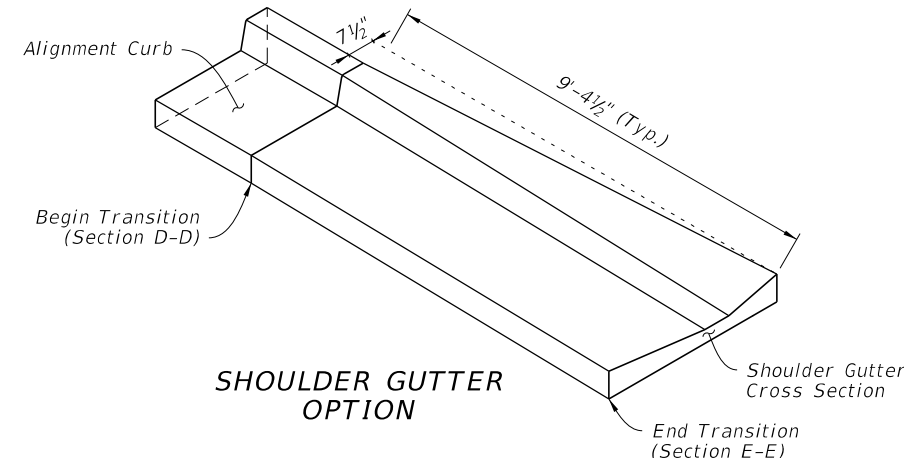


BACK PLATE

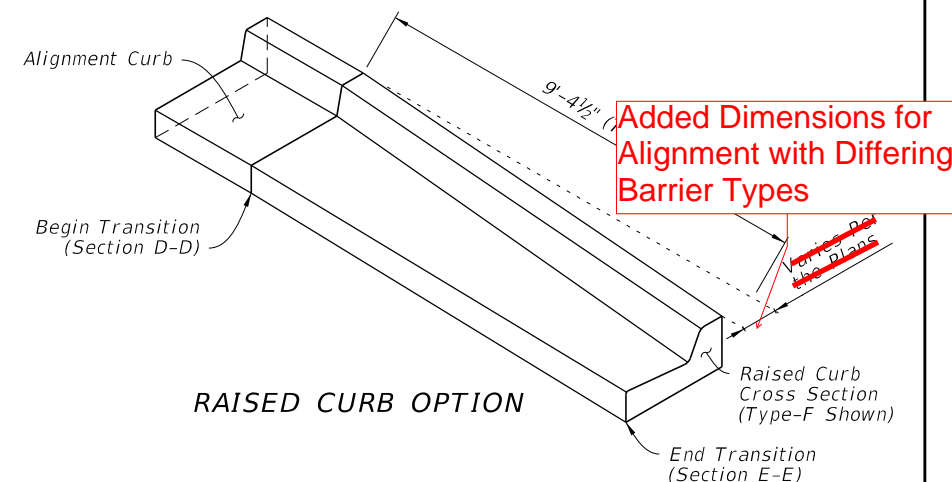
FILLER PLATE



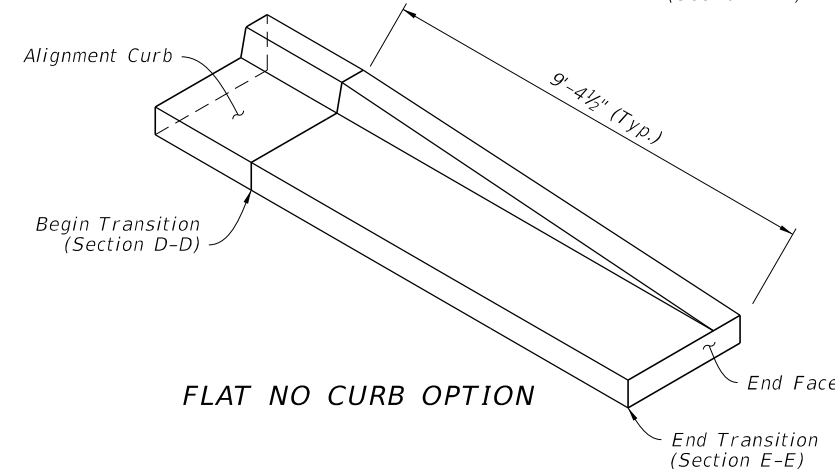
ALIGNMENT CURB SECTION



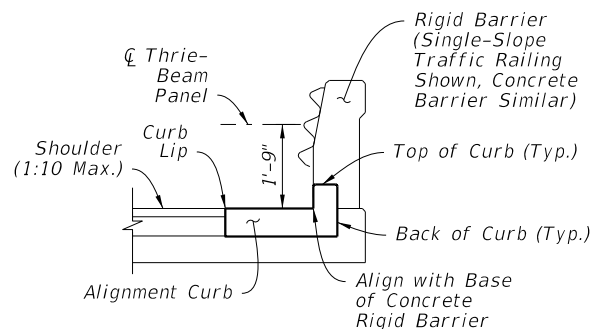
SHOULDER GUTTER OPTION



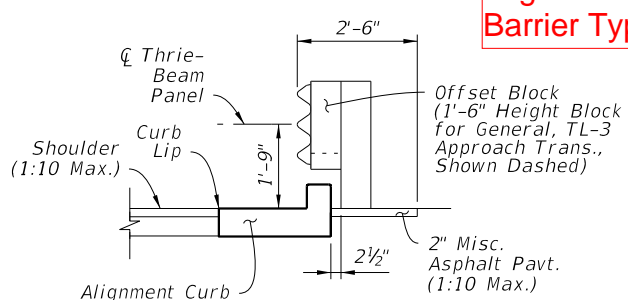
RAISED CURB OPTION



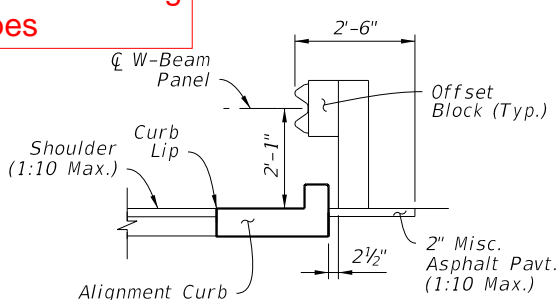
FLAT NO CURB OPTION



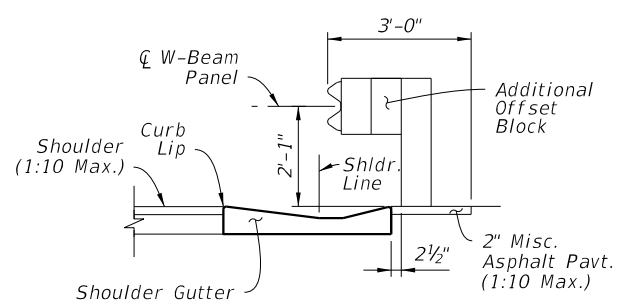
SECTION B-B BEGIN ALIGNMENT CURB (Mate to Rigid Barrier)



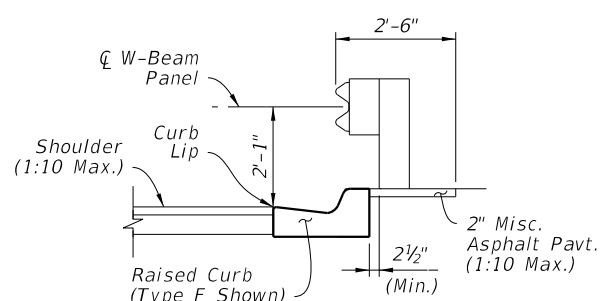
SECTION C-C ALIGNMENT CURB (Intermediate)



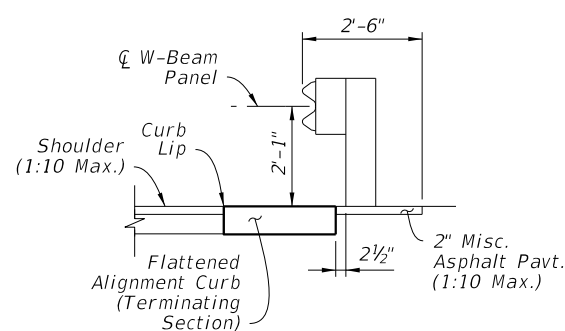
SECTION D-D BEGIN TRANSITION (End Alignment Curb)



SECTION E-E END TRANSITION SHOULDER GUTTER OPTION



SECTION E-E END TRANSITION RAISED CURB OPTION



SECTION E-E END TRANSITION FLAT NO CURB OPTION

CURB TYPICAL SECTIONS

CURB TRANSITION ISOMETRIC VIEWS

NOTES:

1. PLAN AND ELEVATION VIEWS: Work with Sheets 13 & 14.
2. END TRANSITION OF CURB OPTION: Install one of the three End Transition types shown per Section E-E as indicated by the plans.
3. GRADING BEHIND POSTS: Place Slope Break a Min. 2'-0" behind the post, per Sheet 6.
4. MATERIALS & CONSTRUCTION: Construct the concrete Aligning Curb and Curb transition in accordance with Specification 520. Use steel Plates and Thrie-Beam Terminal Connectors in accordance with Specifications 967.

APPROACH TRANSITION CONNECTION - DETAILS

10/25/2018 9:03:13 AM

LAST REVISION 11/01/17	DESCRIPTION:
---------------------------	--------------