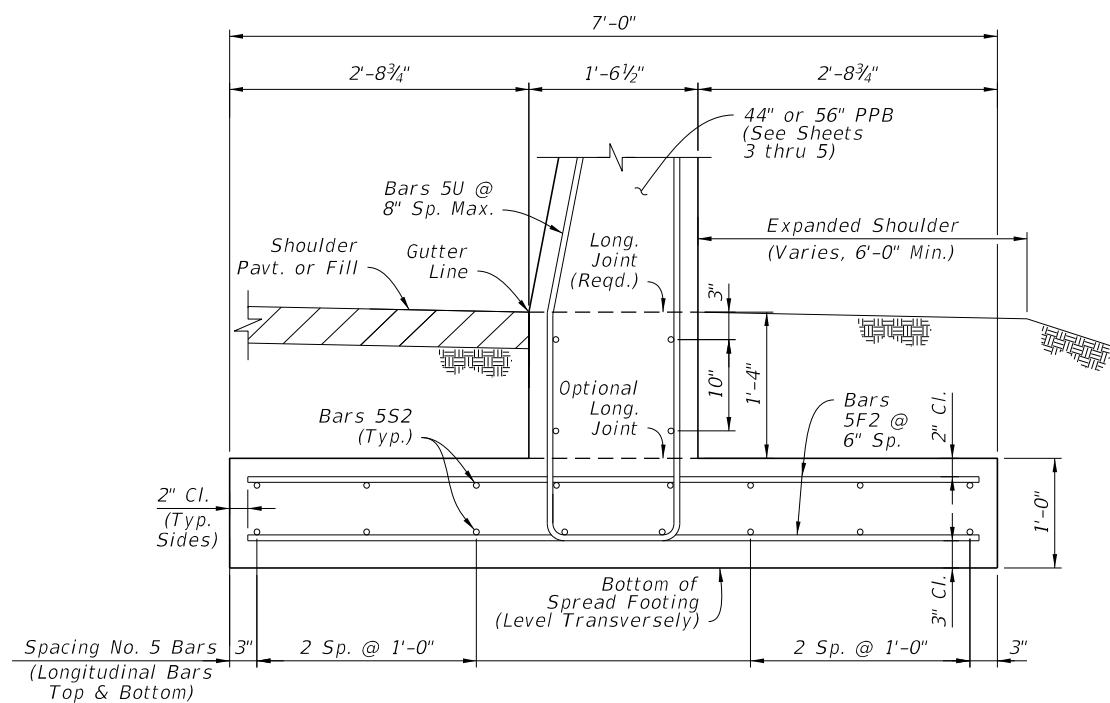


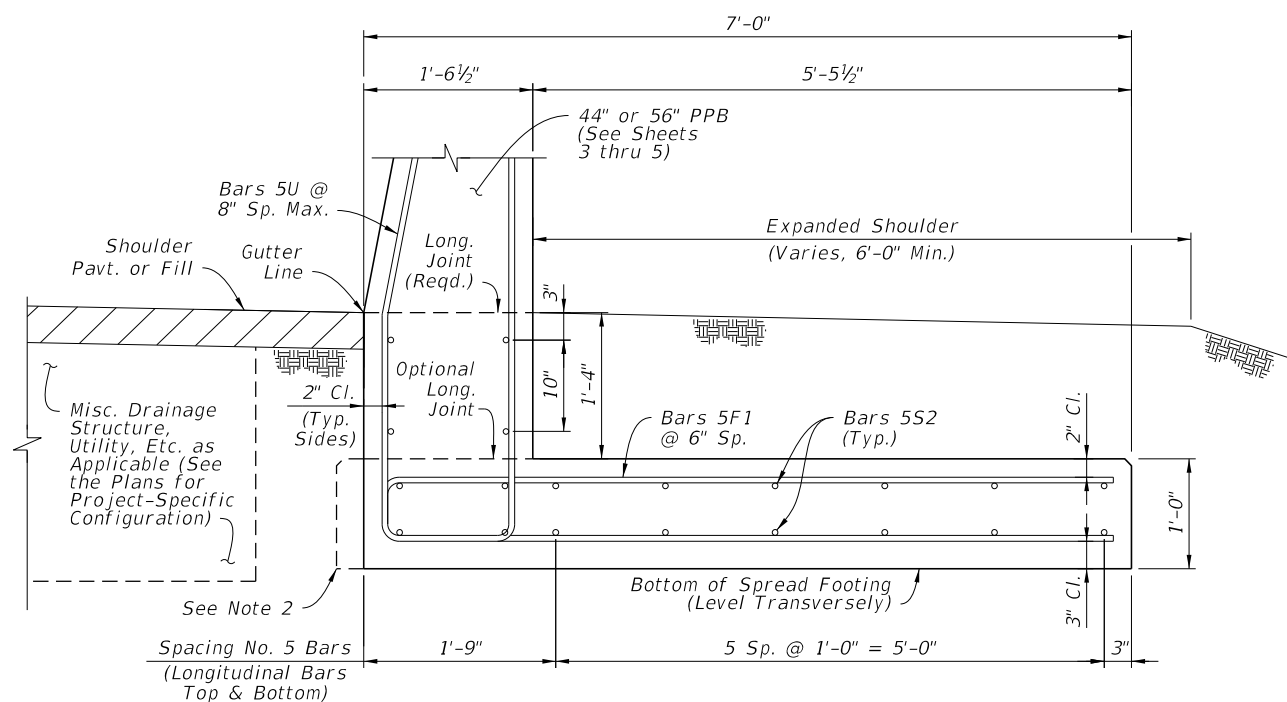
REAR-FLUSH SECTION E-E
FRONT-FLUSH FOOTING OPTION
 Concrete Qty. = 0.34 CY/FT (Below Gutter Line)
 Steel Qty. = 63.5 LB/FT (Including Bars 5U)



SECTION F-F
SYMMETRICAL FOOTING OPTION
 Concrete Qty. = 0.34 CY/FT (Below Gutter Line)
 Steel Qty. = 62.6 LB/FT (Including Bars 5U)

NOTES:

1. GENERAL: Install the footing options per project-specific requirements, as defined on Sheet 2 and specified per the Plans.
 Work with the supported 44" PPB and 56" PPB as shown on Sheets 3, 4, & 5.
2. OPTIONAL SLIP FORMING SUPPORT: The 1'-0" depth spread footing may be extended by 3" laterally beyond the face of the stem to provide support for a subsequent slip forming operation above. Do not adjust the steel reinforcement location for the additional concrete.
3. GUARDRAIL CONNECTION TAPERED TOE: For tapering the barrier as shown on Sheet 5, View D-D, bend Bars U away from the stem face as required. For this case, the cover requirement is variable for one side of the stem (only at the tapered toe locations).



FRONT-FLUSH SECTION G-G
REAR-FLUSH FOOTING OPTION
 Concrete Qty. = 0.34 CY/FT (Below Gutter Line)
 Steel Qty. = 63.5 LB/FT (Including Bars 5U)

BARRIER FOOTING OPTIONS

9/18/2018 3:18:26 PM

LAST REVISION 11/01/17	DESCRIPTION:
---------------------------	--------------



FY 2019-20
 STANDARD PLANS

PIER PROTECTION BARRIER

INDEX
 521-002

SHEET
 6 of 8