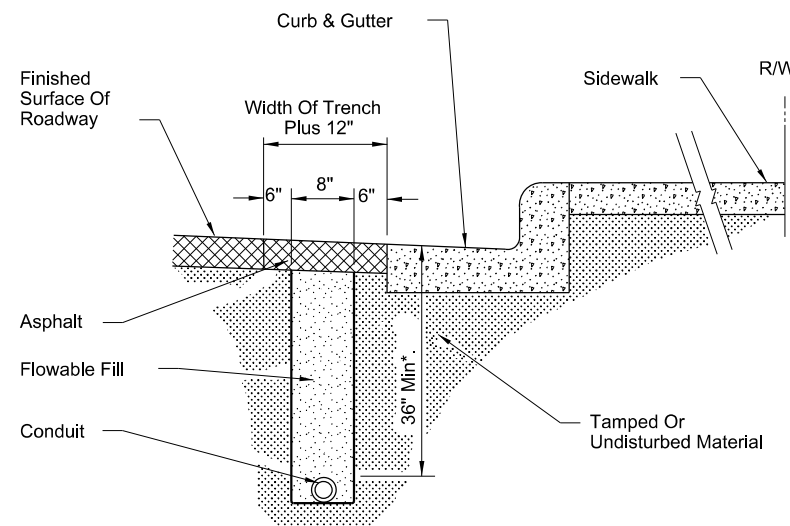


FOR USE IN AREAS NOT EXPOSED TO VEHICULAR TRAFFIC

FIGURE A

Note:

1. Sidewalk patches to match existing joints.
2. Entire sidewalk slab must be replaced when specified in the plans.
3. Backfill and tamp with material from trench except at driveways. At driveways, backfill a length of trench within the driveway entirely with Flowable Fill.



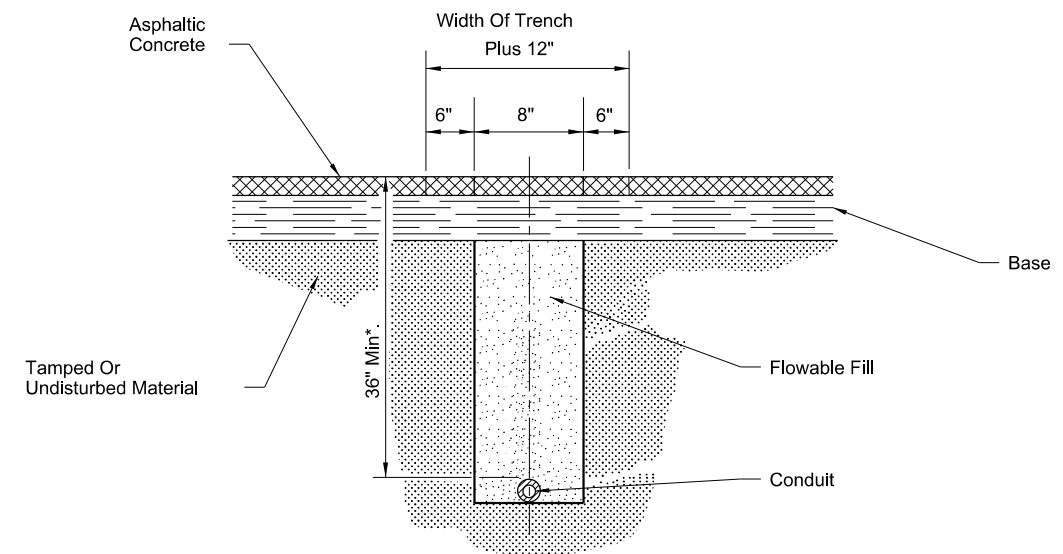
FOR USE IN ASPHALT ROADWAY ADJACENT TO GUTTER WHEN PLACEMENT OUTSIDE OF THE PAVEMENT IS NOT FEASIBLE.

FIGURE B

Note:

1. Trench not to be open more than 250' at a time when construction area is subject to vehicular or pedestrian traffic.
2. Asphalt to be sawcut to leave neat lines at the pavement cut.
3. See note 3 Figure C.

\*May be adjusted due to field conditions upon approval of project engineer.

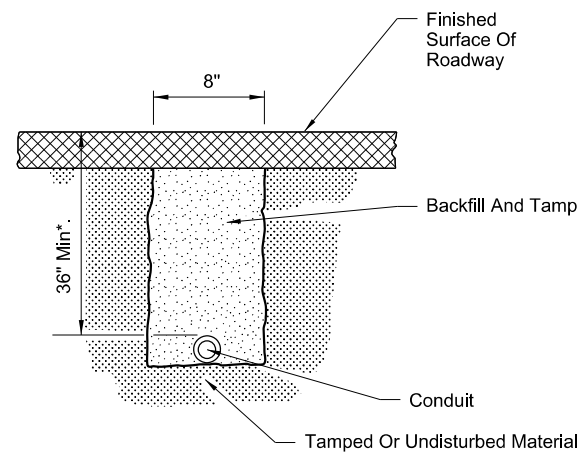


FOR USE IN INSTALLING CONDUIT UNDER EXISTING ASPHALT PAVEMENT NOT ADJACENT TO GUTTER WHEN JACKING OR DIRECT BORING IS NOT FEASIBLE.

FIGURE C

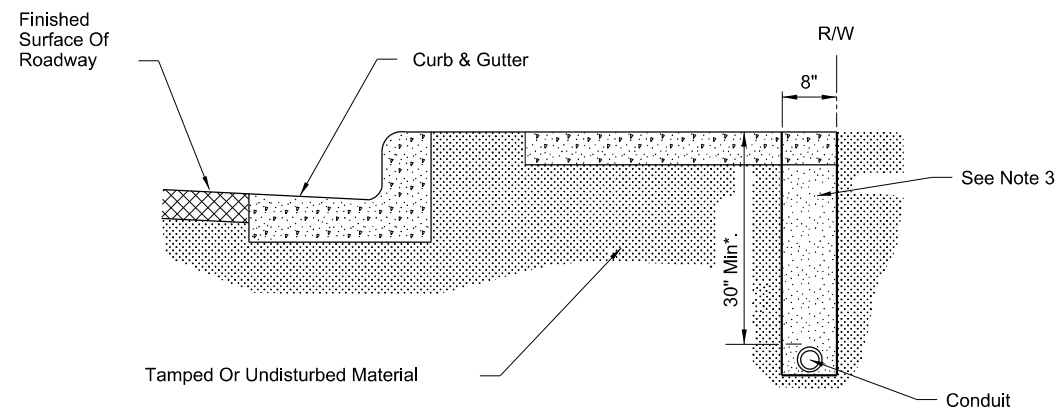
Note:

1. Rigid conduit must be used when jacking under existing pavement at 36" minimum depth.
2. Asphalt to be sawcut at the edges of the trench.
3. The removal and replacement of the additional pavement width (6") will not be required when the trench can be constructed without disturbing the asphalt surface on either side.



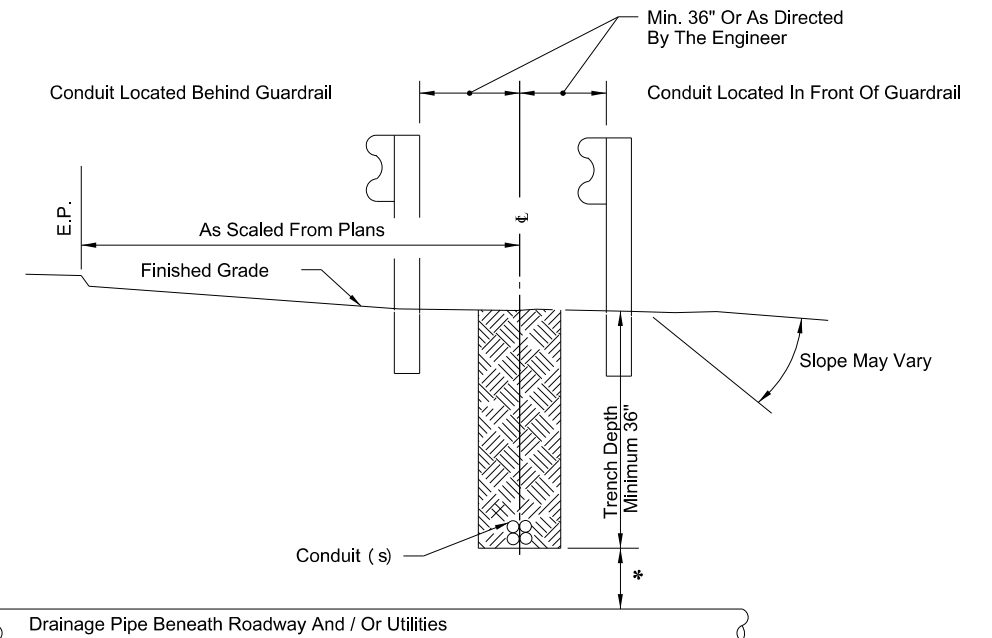
FOR USE INSTALLING CONDUIT UNDER A NEW ROADWAY PRIOR TO INSTALLATION OF BASE AND PAVEMENT

FIGURE D



FOR USE IN INSTALLING CONDUIT UNDER SIDEWALK

FIGURE E

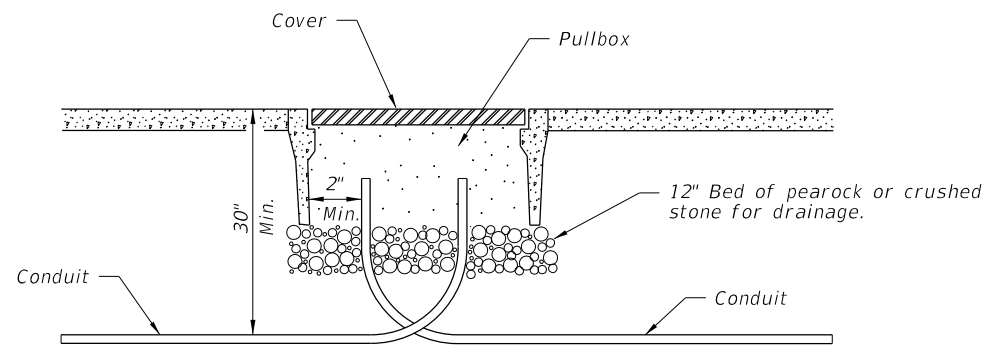


\* Maintain 12" Minimum Vertical Clearance When Crossing Over Pipe And / Or Utilities. If Minimum Vertical Clearance Cannot Be Maintained, Then Conduit Is To Be Routed Under Pipe Maintaining 12" Minimum Vertical Clearance.

FIGURE F

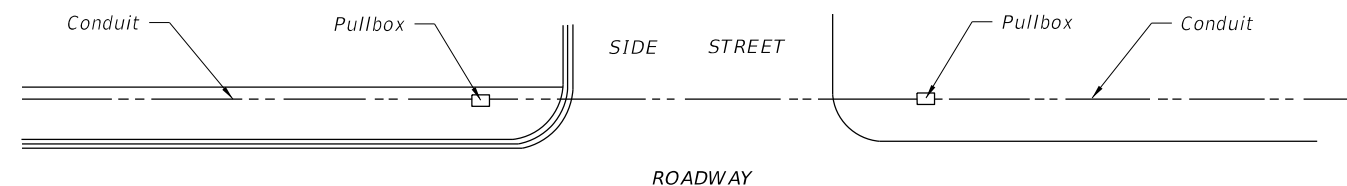
10/16/2017 1:07:00 PM

|                           |          |              |  |                              |                              |                  |                 |
|---------------------------|----------|--------------|--|------------------------------|------------------------------|------------------|-----------------|
| LAST REVISION<br>11/01/17 | REVISION | DESCRIPTION: |  | FY 2018-19<br>STANDARD PLANS | CONDUIT INSTALLATION DETAILS | INDEX<br>630-001 | SHEET<br>1 of 2 |
|---------------------------|----------|--------------|--|------------------------------|------------------------------|------------------|-----------------|



PULLBOX ENTRY OF CONDUIT UNDER SIDEWALKS

FIGURE A

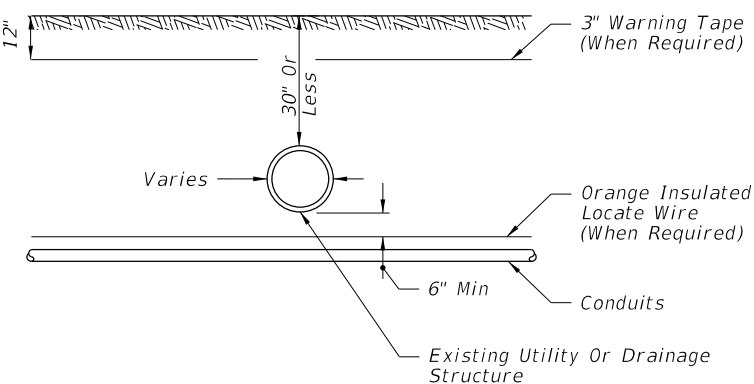
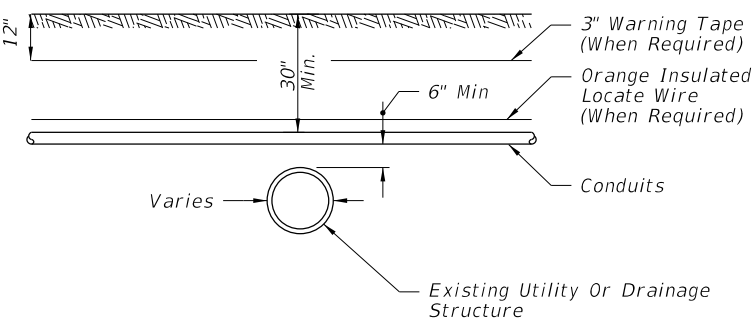
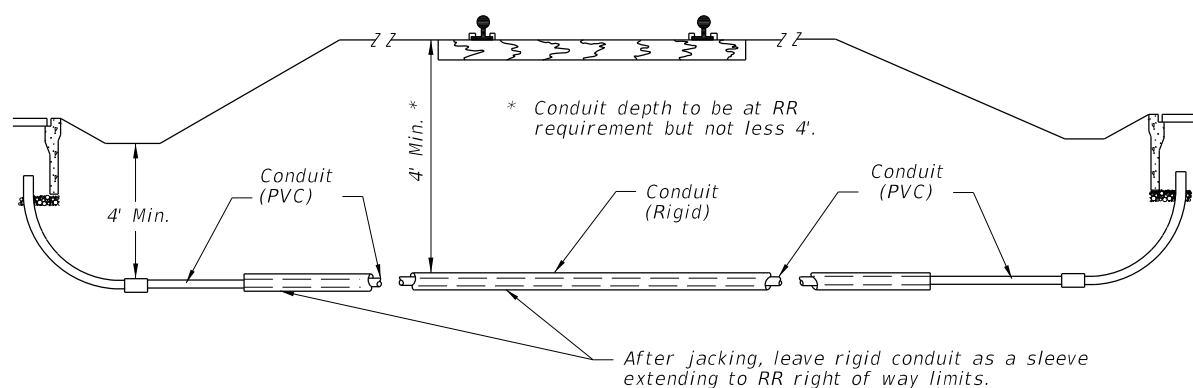


SECTION

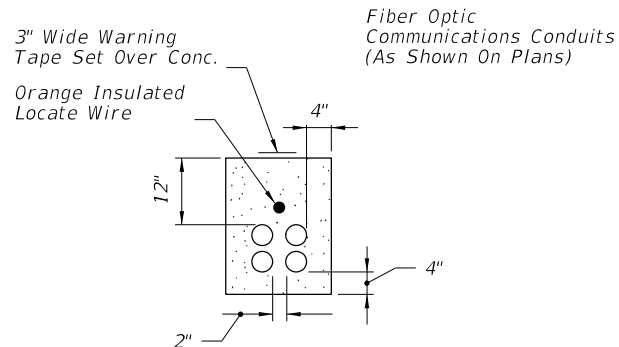
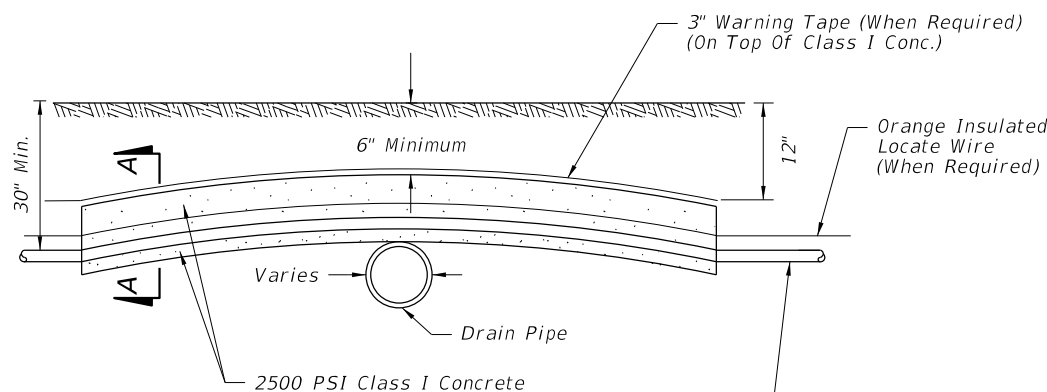
FIGURE B

FIGURE C

FOR USE UNDER RAILROADS



CONDUIT INSTALLATION DETAILS ACROSS EXISTING DRAIN PIPES OR UTILITIES



SECTION AA

**GENERAL NOTES:**

1. The contractor, with approval from the Engineer, may adjust the final burial depth of the conduit(s) in order to transverse nonmovable object conflicts.
2. Backfill with excavated material and compact the soil until firm and unyielding. Remove rock and debris from backfill material.
3. Where conduits are to be installed over existing underground structures (e.g., drain pipes or utility lines) which are less than 30" deep, the contractor shall encase the conduit in 2500 PSI Class I concrete for the entire length of conduit that is installed at a depth of less than 30".
4. If the amount of cover over the encasement is less than 6", the contractor shall install the conduit to pass below the underground structures (e.g., drain pipes).

10/16/2017 1:07:01 PM

| LAST REVISION | DESCRIPTION: |
|---------------|--------------|
| 11/01/17      |              |



FY 2018-19  
STANDARD PLANS

CONDUIT INSTALLATION DETAILS

INDEX  
630-001

SHEET  
2 of 2