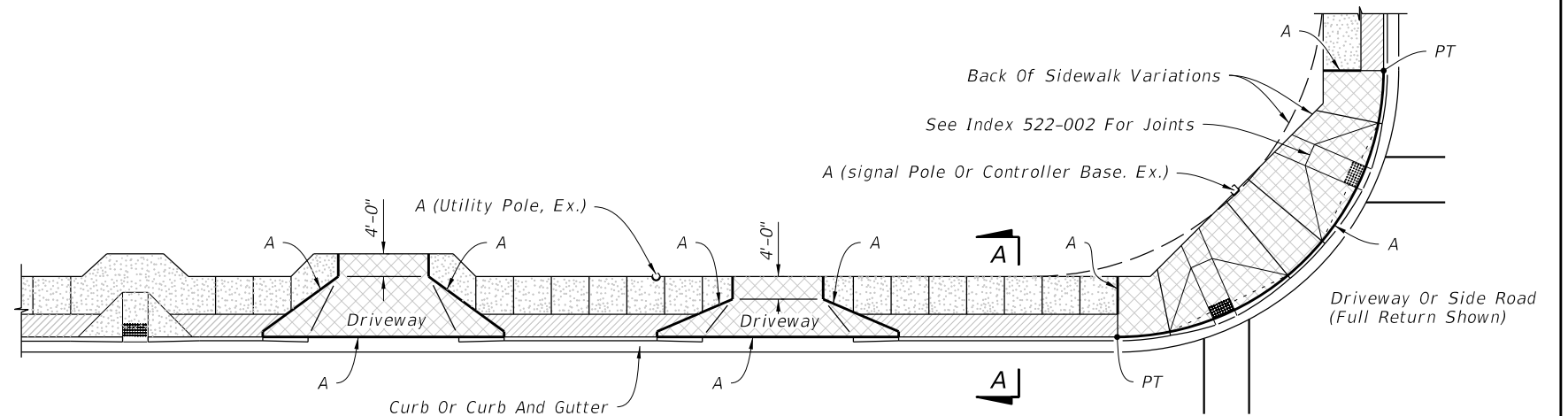


**GENERAL NOTES:**

1. Construct sidewalks in accordance with Specification 522. Use 6" concrete for Sidewalks and Curb Ramps Located within Curb Returns (See Plan View). Install all other concrete with thickness as shown, unless otherwise detailed in the Plans.
2. Include detectable warnings on sidewalk curb ramps in accordance with Index 522-002.
3. For TURNOUTS see Index 000-515.
4. Bond breaker material can be any impermeable coated or sheet membrane or preformed material having a thickness of not less than 6 mils not more than 1/2".
5. Construct sidewalks with Edge Beam through the limits of any surface mounted Pedestrian/Bicycle Railing or Pipe Guiderail shown in the plans. (See RAILING DETAIL)
6. When roadways or driveways are newly constructed, reconstructed or altered, construct the cross slopes for crosswalks and discontinuous sidewalks as follows:
  - A. Max. 0.02 cross slope for roadways or driveway controlled by "STOP" Sign or "YIELD" sign.
  - B. Max. 0.05 cross slope for roadways or driveways controlled by traffic signal.

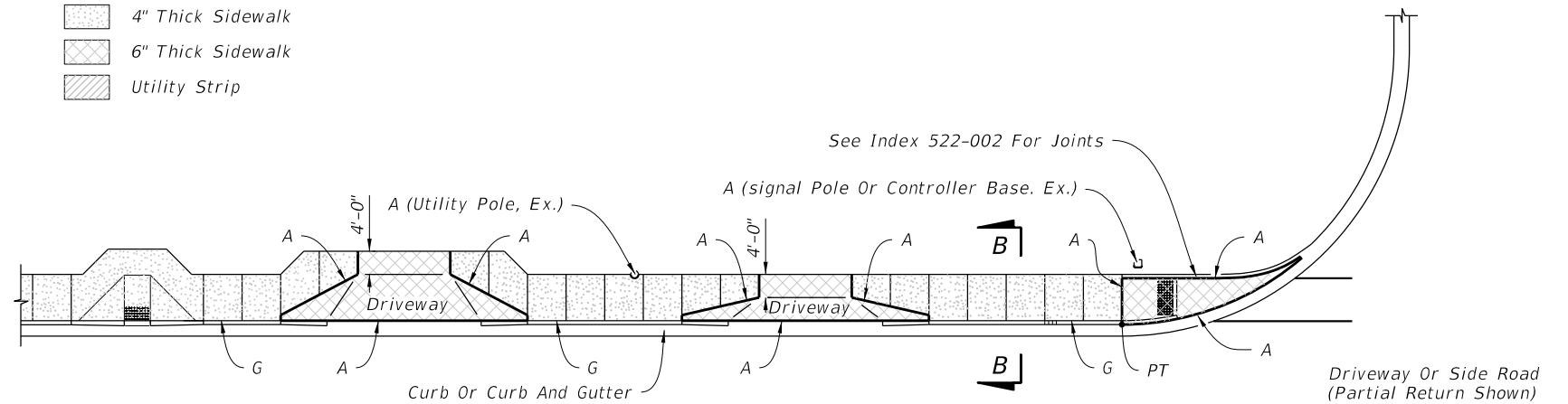


PLAN

**SIDEWALK WITH UTILITY STRIP**

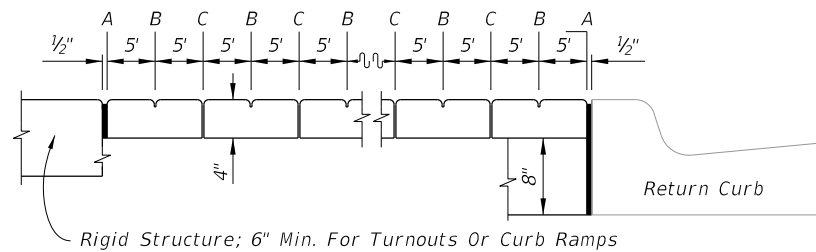
**LEGEND:**

- 4" Thick Sidewalk
- 6" Thick Sidewalk
- Utility Strip

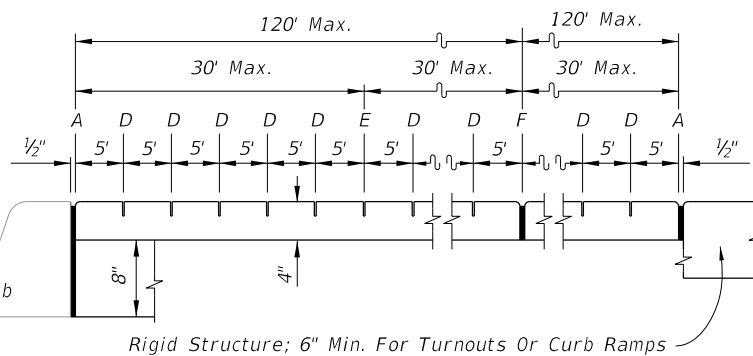


PLAN

**SIDEWALK WITHOUT UTILITY STRIP**



OPEN JOINTS

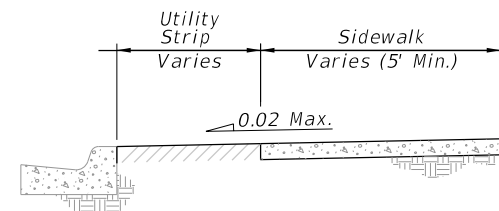


SAWED JOINTS

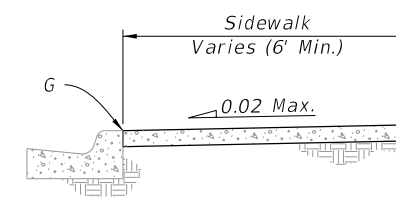
**LONGITUDINAL SECTION**

**LEGEND:**

- A- 1/2" Expansion Joints (Preformed Joint Filler)
- B- 1/8" Dummy Joints, Tooled
- C- 1/8" Formed Open Joints
- D- 3/16" Saw Cut Joints, 1 1/2" Deep (within 96 hours) Max. 5' Centers
- E- 3/16" Saw Cut Joints, 1 1/2" Deep (within 12 hours) Max. 30' Centers  
Joint(s) Required When Length Exceeds 30'
- F- 1/2" Expansion Joint When Run Of Sidewalk Exceeds 120'. Intermediate locations when called for in the plans or at locations as directed by the Engineer.
- G- Cold Joint With Bond Breaker, Tooled

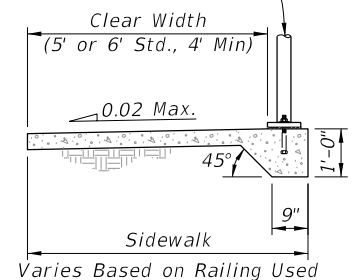


SECTION A-A



SECTION B-B

Railing (See Index 515-052, 515-062, 515-070 Or 515-080)



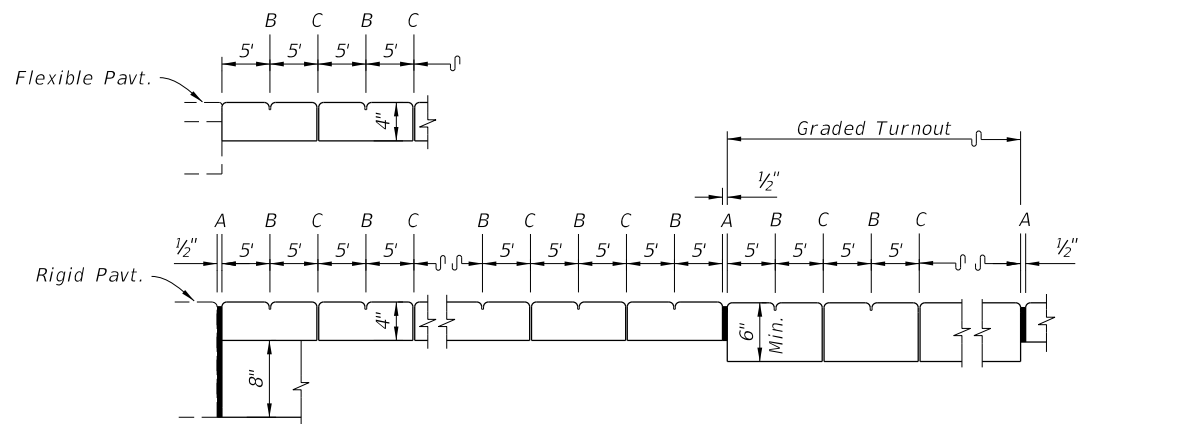
RAILING DETAIL

**SIDEWALK JOINTS**

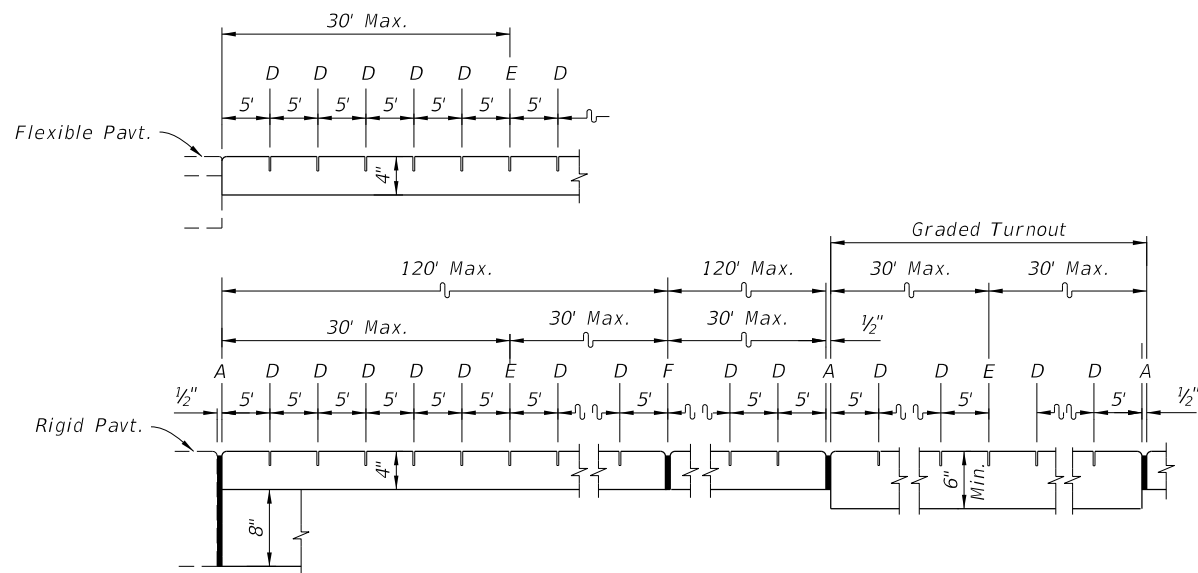
**GENERAL NOTES AND CONCRETE SIDEWALK ON CURBED ROADWAYS**

10/16/2017 9:47:15 AM

LAST REVISION 11/01/17	REVISION	DESCRIPTION:		FY 2018-19 STANDARD PLANS	CONCRETE SIDEWALK	INDEX 522-001	SHEET 1 of 2
---------------------------	----------	--------------	--	------------------------------	-------------------	------------------	-----------------



OPEN JOINTS



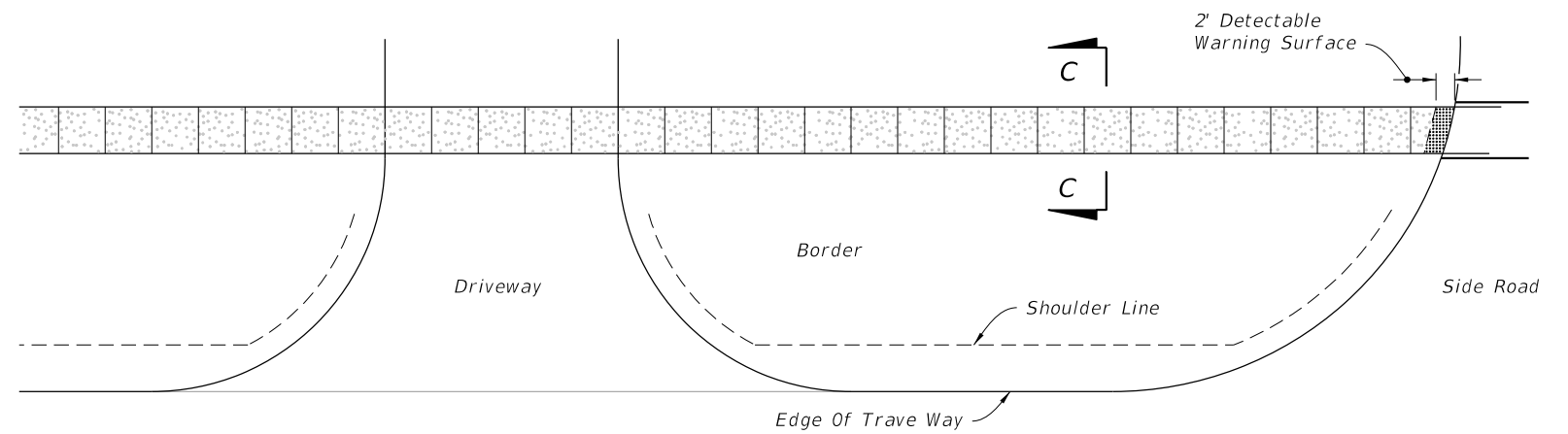
SAWED JOINTS

LONGITUDINAL SECTION

LEGEND:

- A- 1/2" Expansion Joints (Preformed Joint Filler)
- B- 1/8" Dummy Joints, Tooled
- C- 1/8" Formed Open Joints
- D- 3/16" Saw Cut Joints, 1 1/2" Deep (within 96 hours) Max. 5' Centers
- E- 3/16" Saw Cut Joints, 1 1/2" Deep (within 12 hours) Max. 30' Centers  
Joint(s) Required When Length Exceeds 30'
- F- 1/2" Expansion Joint When Run Of Sidewalk Exceeds 120'. Intermediate locations when called for in the plans or at locations as directed by the Engineer.

SIDEWALK JOINTS

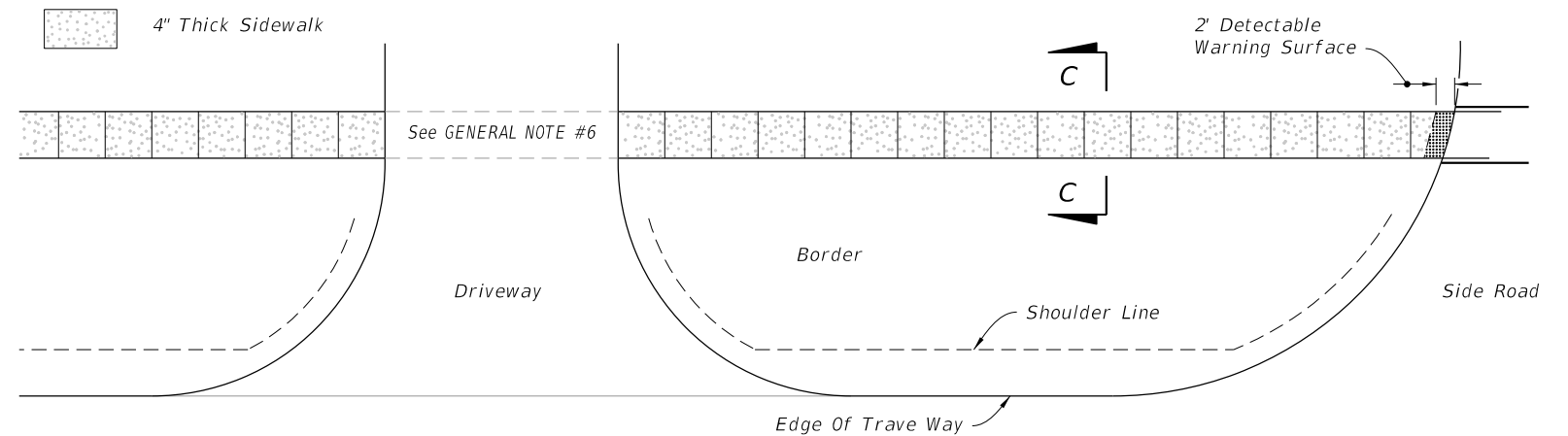


PLAN

CONTINUOUS SIDEWALK

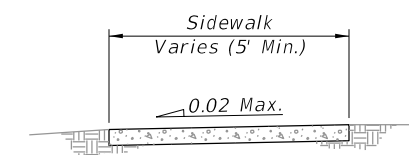
LEGEND:

4" Thick Sidewalk



PLAN


DISCONTINUOUS SIDEWALK



SECTION C-C

CONCRETE SIDEWALK ON FLUSH SHOULDER ROADWAYS

10/16/2017 9:47:16 AM

LAST REVISION 11/01/17	DESCRIPTION:	 FY 2018-19 STANDARD PLANS	CONCRETE SIDEWALK	INDEX 522-001	SHEET 2 of 2
---------------------------	--------------	---	-------------------	------------------	-----------------