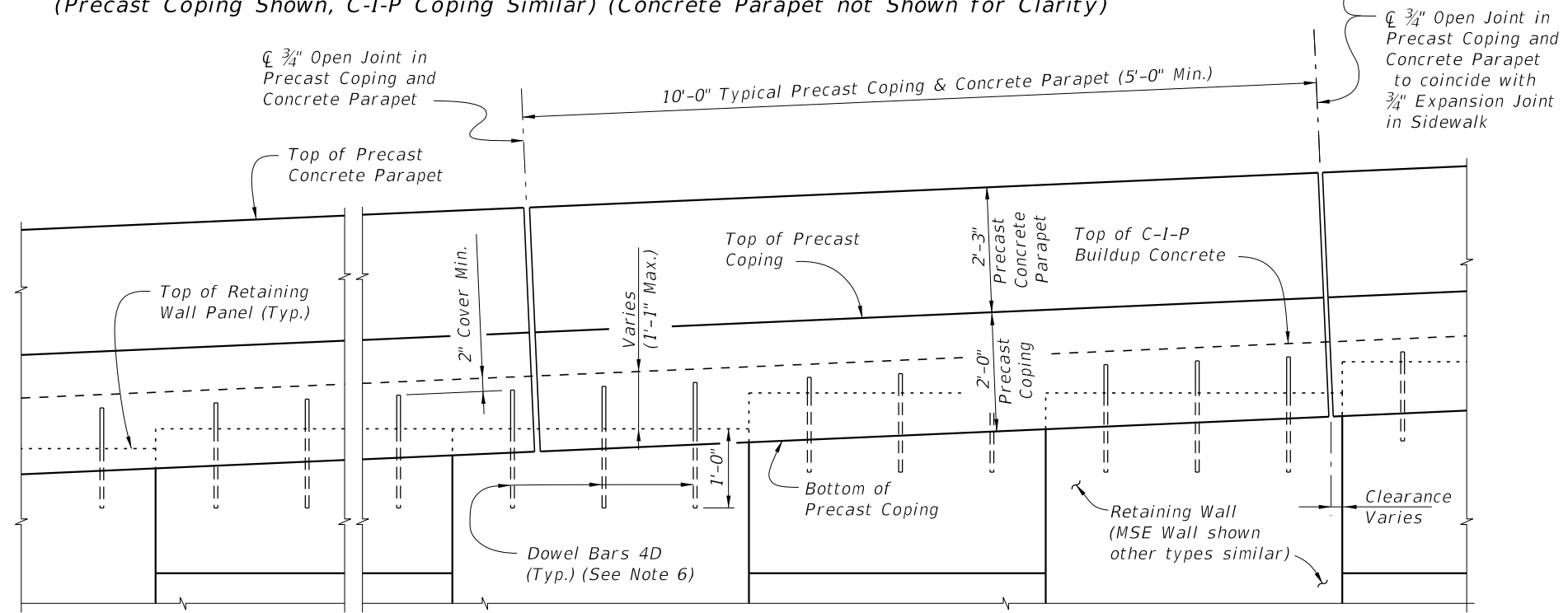


**PARTIAL PLAN VIEW**  
 (Skewed Approach Slab Shown, Perpendicular Approach Slab Similar)  
 (Precast Coping Shown, C-I-P Coping Similar) (Concrete Parapet not Shown for Clarity)

**PRECAST COPING/PARAPET AND SIDEWALK NOTES:**

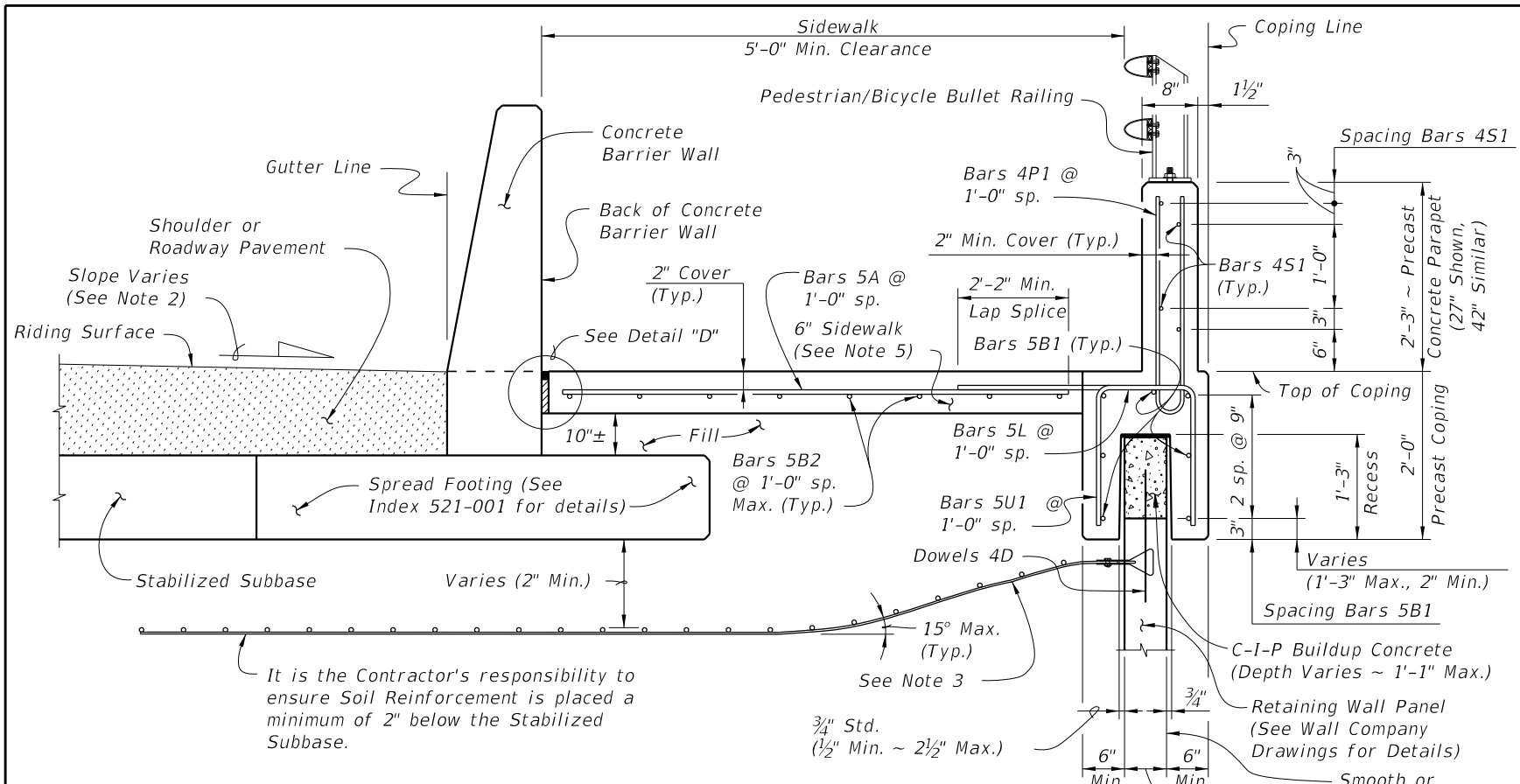
1. Provide Class II concrete for slightly aggressive environments or Class IV for moderately or extremely aggressive environments.
2. Construct  $\frac{3}{4}$ " Expansion Joints in sidewalk and C-I-P coping plumb and either perpendicular or radial to the Gutter Line. Provide Expansion Joints at 90'-0" maximum intervals as shown.
3. Provide and install Preformed Expansion Joint Filler in accordance with Specification Section 932.
4. Construct  $\frac{1}{2}$ " V-Grooves in sidewalk and C-I-P coping. Space V-Grooves at 30'-0" Maximum intervals equally spaced between  $\frac{3}{4}$ " Expansion Joints and/or Begin or End Sidewalk. For C-I-P Coping only, V-Groove locations are to coincide with V-Groove locations in the Concrete Parapet.
5. Spacing shown is along the Gutter Line.
6. For Precast Coping only, provide Dowel Bars 4D embedded 1'-0" and extend 11" above the top of MSE wall panels. Field cut as necessary to maintain 2" minimum cover to the top of the buildup concrete. See Wall Company Drawings for number and spacing of Dowel Bars 4D.
7. Work this Index with Index 521-001 - Concrete Barrier Wall
8. For C-I-P Coping only, work this Index with Index 521-820 - Pedestrian/Bicycle Railing, or Index 521-825 - 42" Concrete Pedestrian/ Bicycle Railing.
9. Finish Sidewalks in accordance with Specifications Section 522.
10. The following Indexes contain details of the intersection of the retaining wall at approach slabs:  
 Index 400-090 - Approach Slabs (Flexible Pavement Approaches)  
 Index 400-091 - Approach Slabs (Rigid Pavement Approaches)



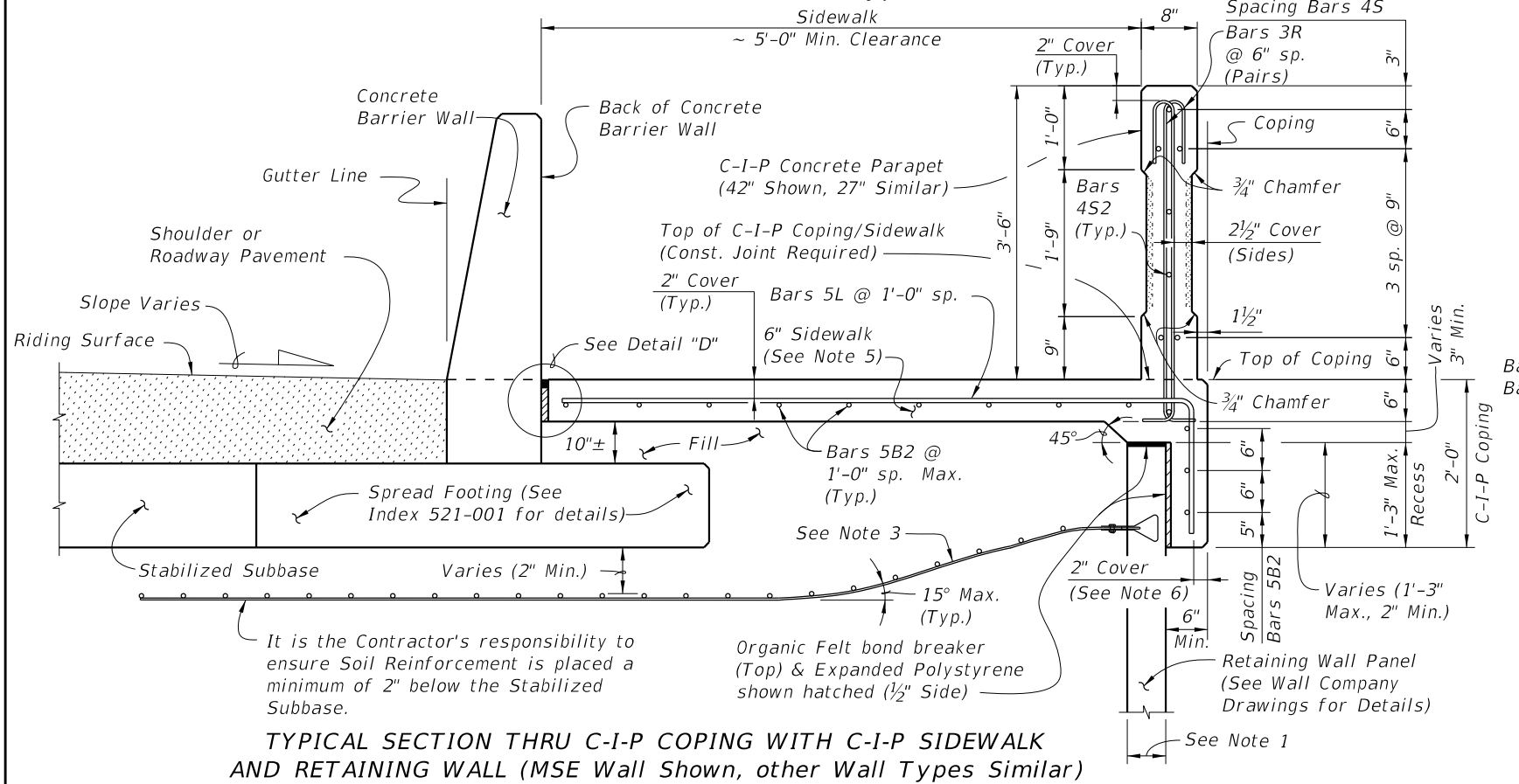
**PARTIAL ELEVATION VIEW**  
 (Precast Coping and Sidewalk Reinforcing not Shown for Clarity)  
 (Precast Coping Shown, C-I-P Coping Similar)

10/25/2017 4:12:01 PM

LAST REVISION 11/01/17	DESCRIPTION:	 <b>FY 2018-19</b> <b>STANDARD PLANS</b>	<b>PARAPET WITH C-I-P SIDEWALK - WALL COPING</b>	INDEX <b>521-630</b>	SHEET <b>1 of 2</b>
---------------------------	--------------	--	--	-------------------------	------------------------



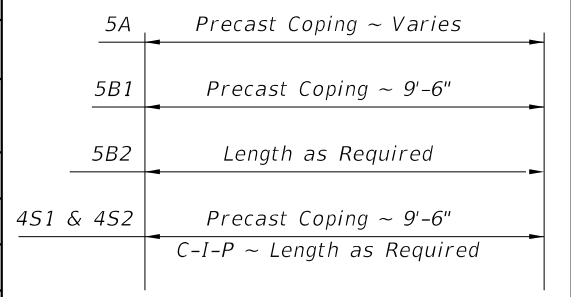
**TYPICAL SECTION THRU PRECAST COPING/PARAPET WITH C-I-P SIDEWALK AND RETAINING WALL (MSE Wall Shown, other Wall Types Similar)**



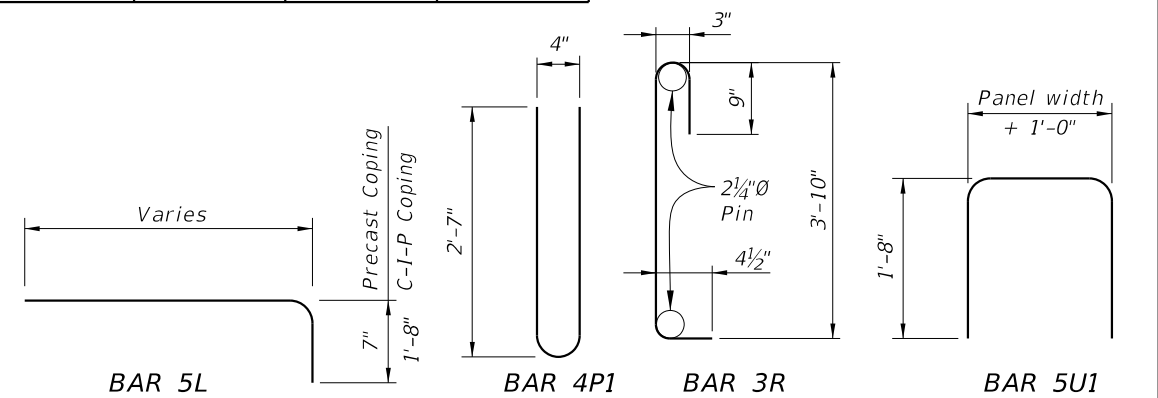
**TYPICAL SECTION THRU C-I-P COPING WITH C-I-P SIDEWALK AND RETAINING WALL (MSE Wall Shown, other Wall Types Similar)**

**REINFORCING STEEL BENDING DIAGRAMS - COPING/PARAPET AND SIDEWALK**

BILL OF REINFORCING STEEL			
MARK	SIZE	LENGTH	
		PRECAST COPING	C-I-P COPING
A	5	VARIES	N/A
B1	5	9'-6"	N/A
B2	5	AS REQD.	AS REQD.
D	4	2'-0"	N/A
L	5	VARIES	VARIES
P1	4	5'-5"	5'-5"
S1	4	9'-6"	AS REQD.
S2	4	9'-6"	AS REQD.
R	3	5'-2"	5'-2"
U1	5	VARIES	N/A

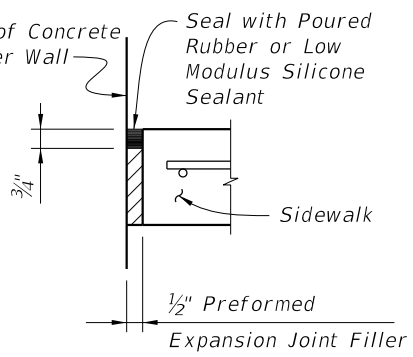


**BARS 5A, 5B1, 5B2, 4S1 & 4S2**



**BAR 5L**

- REINFORCING STEEL NOTES:**
1. All bar dimensions in the bending diagrams are out to out.
  2. All reinforcing steel at expansion joints will have a 2" minimum cover.
  3. Lap splices for Bars 5B2 and 5S will be a minimum of 2'-2".
  4. For Precast Coping only, lap splice Bars 5L with Bars 5A. Lap splices will be a minimum of 2'-2".
  5. The Contractor may use Deformed WWR when approved by the Engineer. WWR must meet the requirements of Specification Section 931.



**DETAIL "D"**

- PRECAST COPING/PARAPET AND SIDEWALK NOTES:**
1. Actual width varies depending on type of Retaining Wall used.
  2. Place or cast Concrete Parapet vertical.
  3. Gradually deflect/displace Soil Reinforcement downward as required. Soil Reinforcement is shown deflected downward for illustrative purposes only and is not to scale. See Wall Company Drawings for details.
  4. Complete details and dimensions of Concrete Pedestrian/Bicycle Railing are required in the Shop Drawings.
  5. Match cross slope of connecting sidewalk or as shown in the Wall Control Drawings.
  6. If slip forming is used, submit shop drawings for approval showing 2 1/2" side cover with adjusted Typical Section dimensions.
  7. Bullet Railing: See Indexes 515-021 and 515-022.

10/25/2017 4:12:02 PM