

**GENERAL NOTES FOR  
CONCRETE PAVEMENT SUBDRAINAGE**

1. No trench greater than 2' in depth will be allowed overnight. Trenches shall be barricaded at all times.
2. Concrete pavement subdrainage shall be constructed adjacent to the low edge of the roadway pavement and under travel lanes, auxiliary pavement and shoulders, as called for in the plans. When the low edge shifts between outside and inside edges of pavement the concrete pavement subdrainage shall extend 50' beyond and begin 50' before the flat point (100' overlap).

Concrete pavement subdrainage shall be placed on the low side of ramps of crossroad terminals.

3. Concrete pavement subdrainage shall be constructed on a grade parallel with the edge of pavement profile, except on profiles flatter than one-tenth percent (0.10%) the concrete pavement subdrainage shall be constructed on a grade of one-tenth percent (0.10%).

4. Immediately prior to placing the filter fabric the entire vertical face of the concrete pavement shall be cleaned to remove adhering base material and soil.

5. The Contractor shall devise a procedure for holding the filter fabric in position on the vertical face of the trench. The procedure must be approved by the Engineer prior to placement of the draincrete.

6. The upper end of each separate run of the concrete pavement subdrainage pipe shall be capped.

7. Outlet pipes shall be constructed at a maximum of 500' intervals. Elbows or 1/8 bends shall be used to connect the outlet pipe to the concrete pavement subdrain pipe. The elbows or bends shall be of the same material as the outlet pipe but compatible with the pipe.

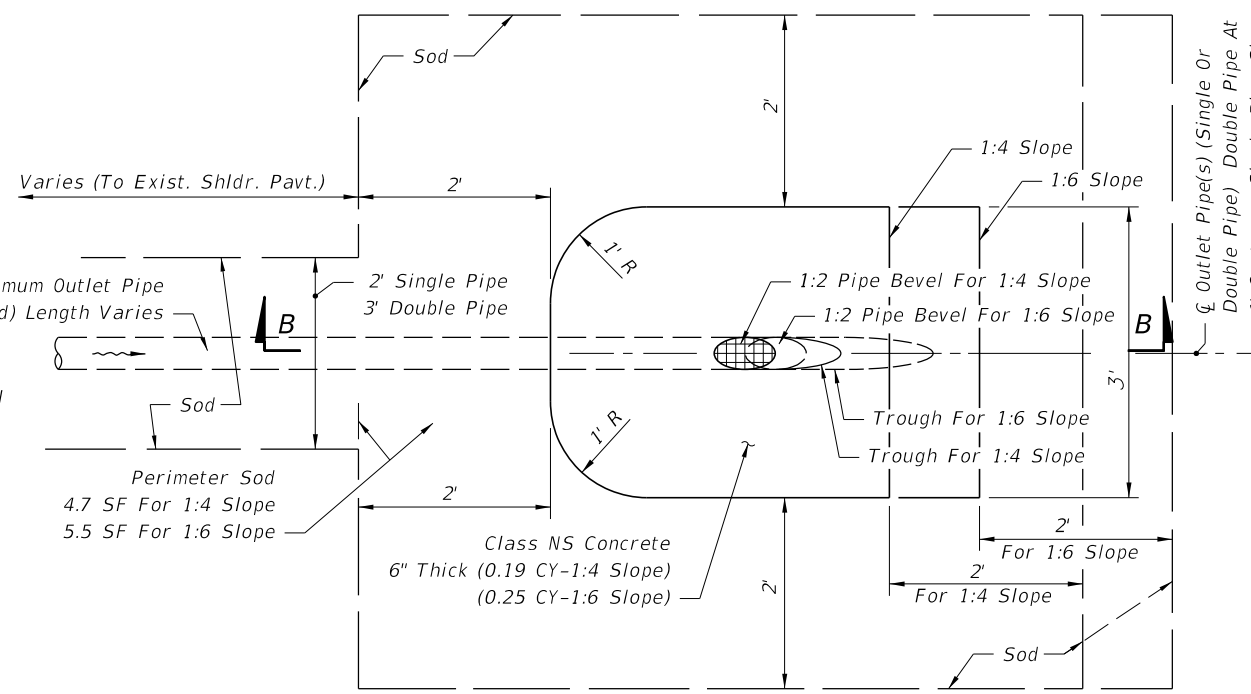
When directed by the Engineer, outlet pipes shall be stubbed into existing inlets or into existing ditch pavements at an elevation 6" above the inlet flowline or ditch bottom. Concrete apron and bordering sod are not required for stubbed outlets, but replacement sodding will be required at trenches for pipes stubbed into paved ditches.

In sag vertical curves separate outlet pipes for concrete pavement subdrains from opposite directions shall use a single apron unless otherwise shown in the plans or otherwise directed by the Engineer.

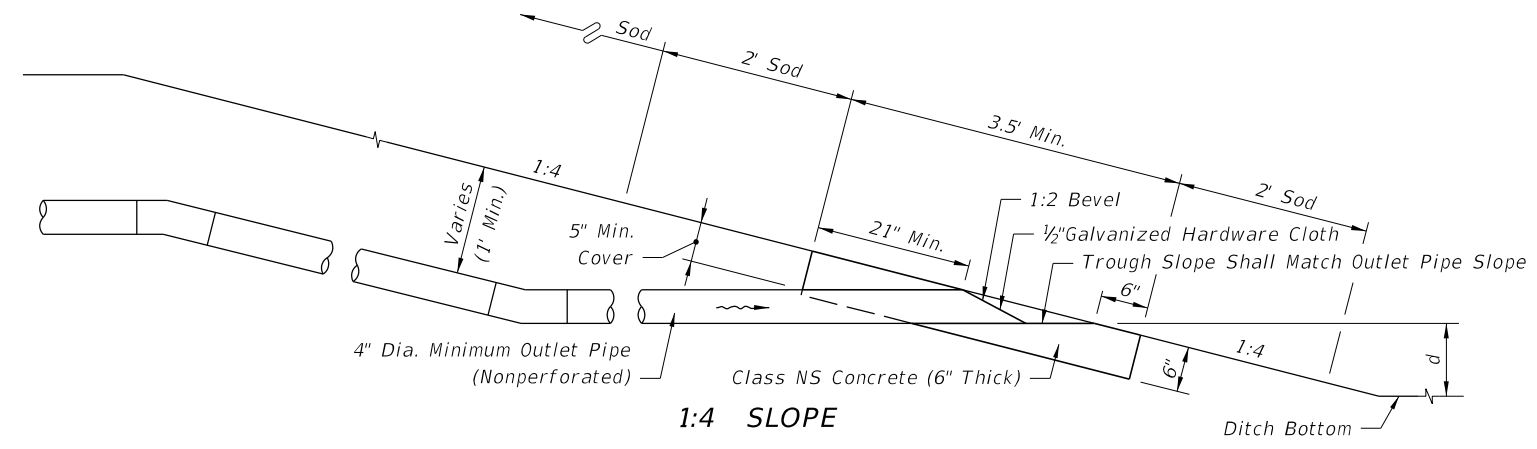
Backfill around outlet pipes shall be of cohesive soils, draincrete will not be permitted.

8. Existing paved shoulder that is removed for the construction of outlet pipes shall be replaced with Type SP asphaltic concrete at the rate of 500 LB per SY.

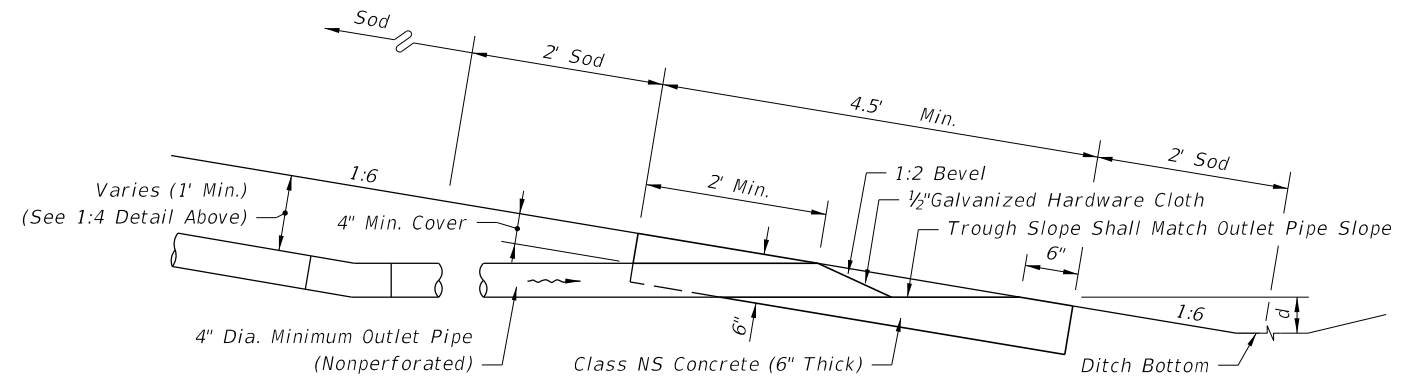
9. The contract unit price for Edgedrain Outlet Pipe (4") LF, shall be full compensation for removal of existing shoulder pavement, trench excavation, pipe and fitting, concrete apron, hardware cloth, sod, stubbing into existing inlets and paved ditches, restoration of ditch pavement, backfill in place, and disposal of excess materials.



**PLAN - OUTLET PIPE APRON**

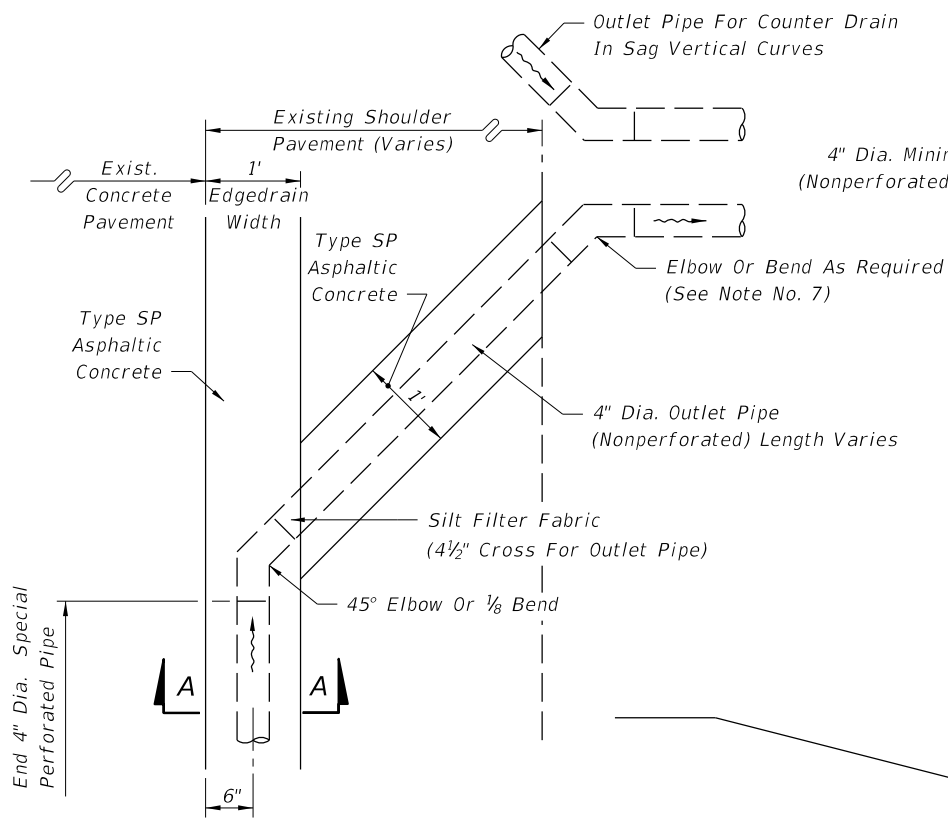


**1:4 SLOPE**



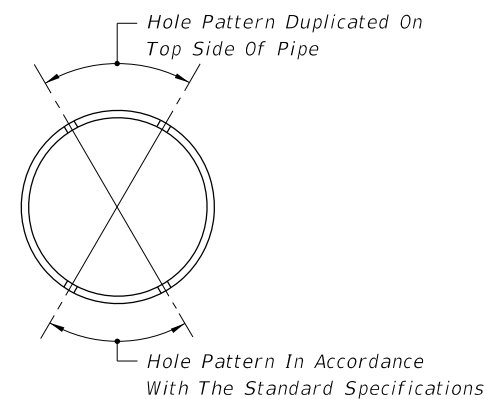
**1:6 SLOPE  
SECTIONS BB  
4" EDGEDRAIN  
EDGEDRAIN OUTLET**

$d = 1.75'$  std. for grassed ditches;  $0.5'$  std. for paved ditches  
[less is acceptable to provide minimum 0.1% outlet pipe slope]



**ALIGNMENT OF OUTLET PIPE**

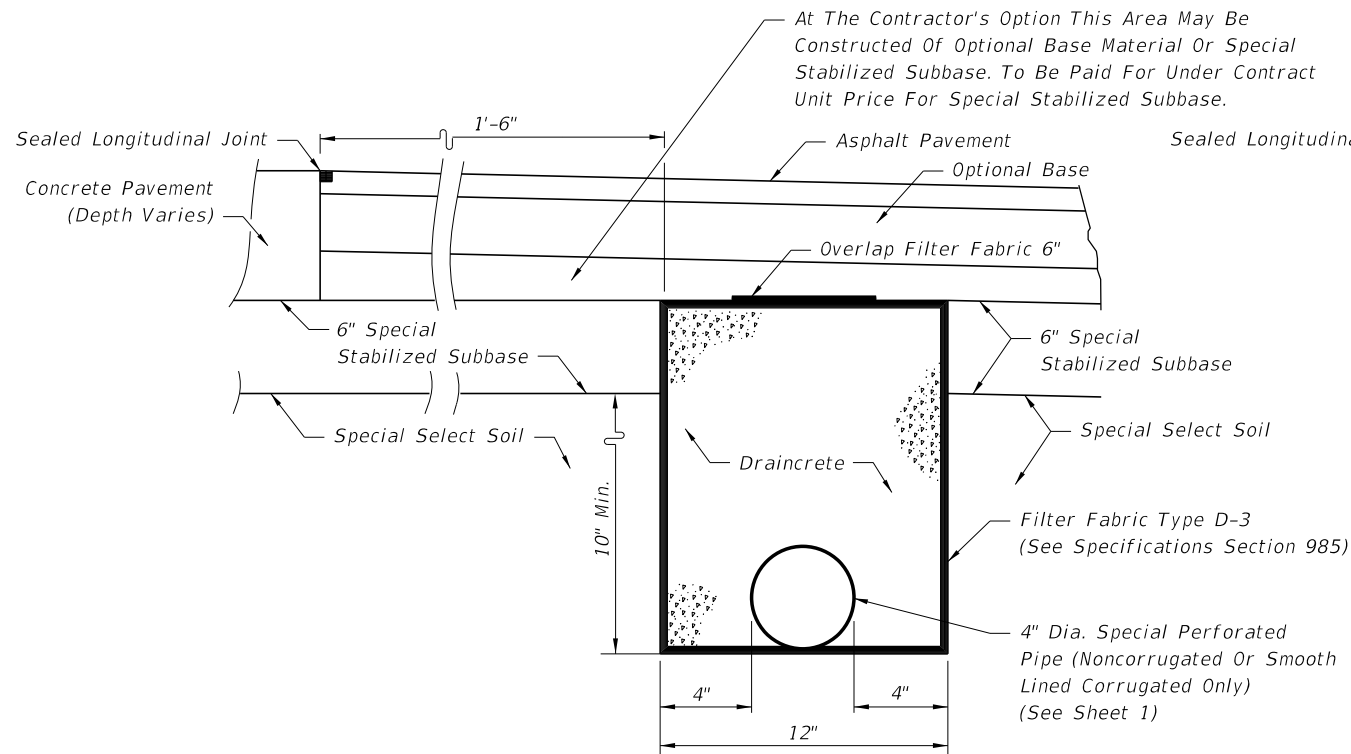
NOTE: For Section AA see following Sheets.



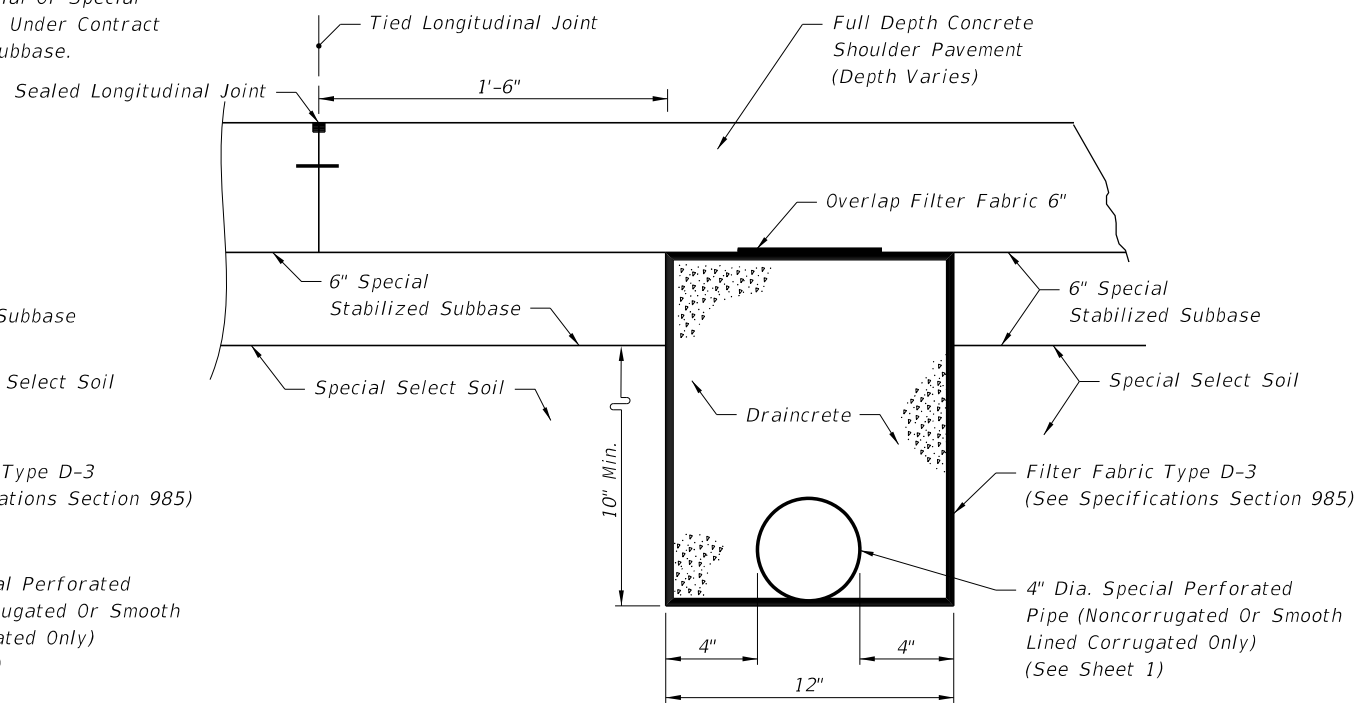
**SUBDRAINAGE PIPE**

10/16/2017 9:33:36 AM

LAST REVISION 11/01/17	DESCRIPTION:	FDOT FY 2018-19 STANDARD PLANS	CONCRETE PAVEMENT SUBDRAINAGE	INDEX 446-001	SHEET 1 of 4
---------------------------	--------------	--------------------------------------	-------------------------------	------------------	-----------------

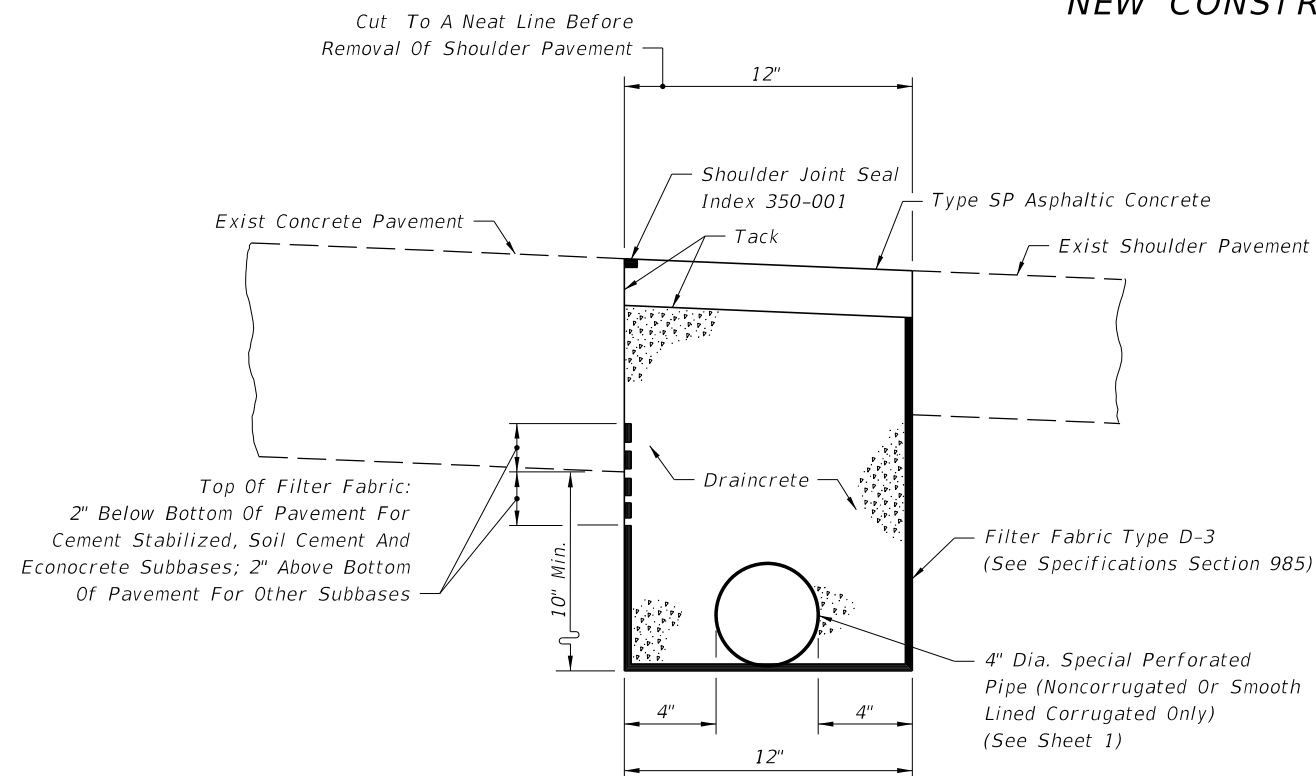


ASPHALT SHOULDERS



CONCRETE TRAVEL LANES, SHOULDERS, AND AUXILIARY PAVEMENT

NEW CONSTRUCTION



REHABILITATION  
DRAINCRETE SUBDRAINAGE

NOTES FOR DRAINCRETE PAVEMENT SUBDRAINAGE

1. The edgedrain sections for DRAINCRETE SUBDRAINAGE are applicable to pavement construction identified as RIGID PAVEMENT on Index 120-001.
2. The contractor shall confine the construction of draincrete edgedrain to an area in which the entire operation can be carried out in five (5) work days, unless another construction period is called for in the plans, with sufficient time allowed for the draincrete to set before placement of pavement.

METHOD OF PAYMENT

NEW CONSTRUCTION:

1. The contract unit price for Edgedrain (Draincrete) LF shall be full compensation for trench excavation, disposal of excess material, filter fabric, draincrete edgedrain pipe and fittings and draincrete.

Payment for outlet pipe shall be in accordance with General Note 9, Sheet 1 of 4.

FOR REHABILITATION:

1. The contract unit price for Edgedrain (Draincrete) LF, shall be full compensation for removal of existing shoulder pavement, trench excavation, disposal of excess materials, filter fabric, draincrete edgedrain pipe and fittings, and draincrete, necessary for edgedrain construction.

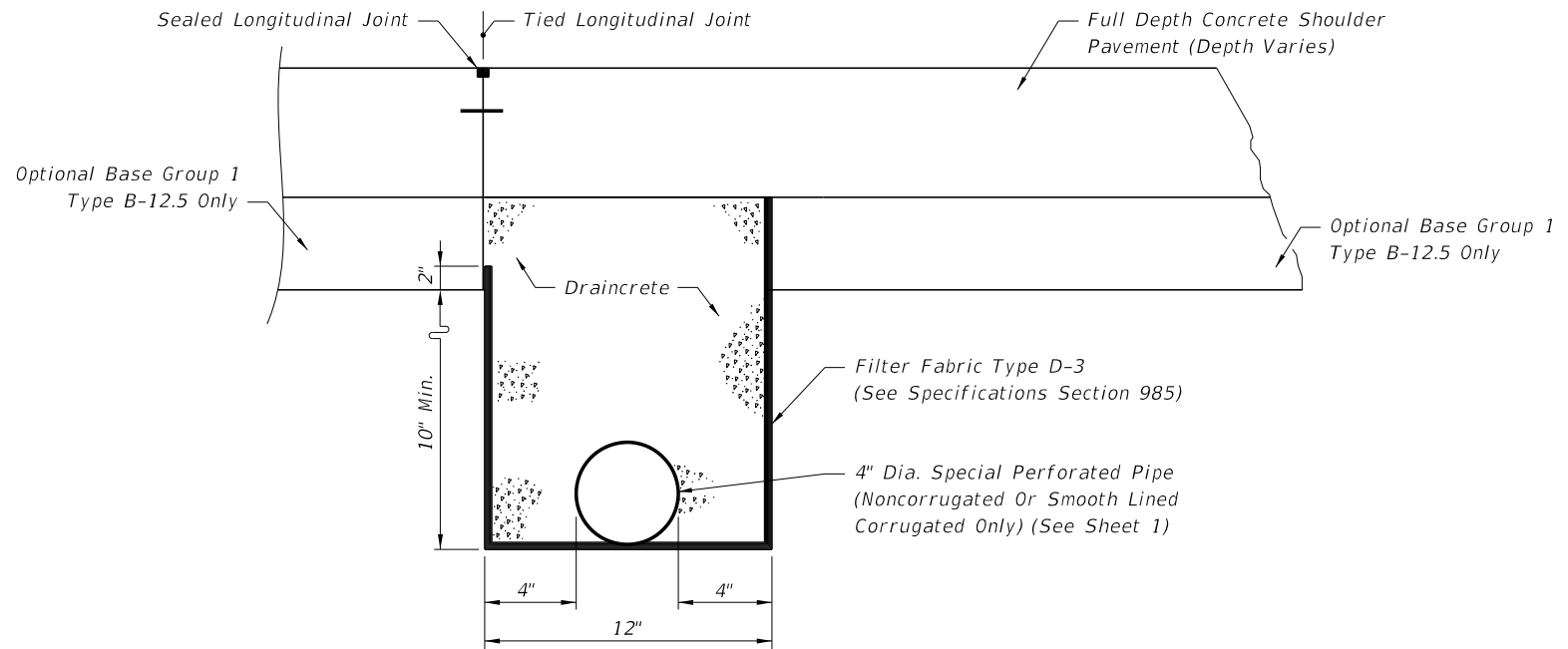
Payment for outlet pipe shall be in accordance with General Note 9, Sheet 1 of 4.

Shoulder pavement shall be paid for under the contract unit price for Type SP, Asphaltic Concrete.

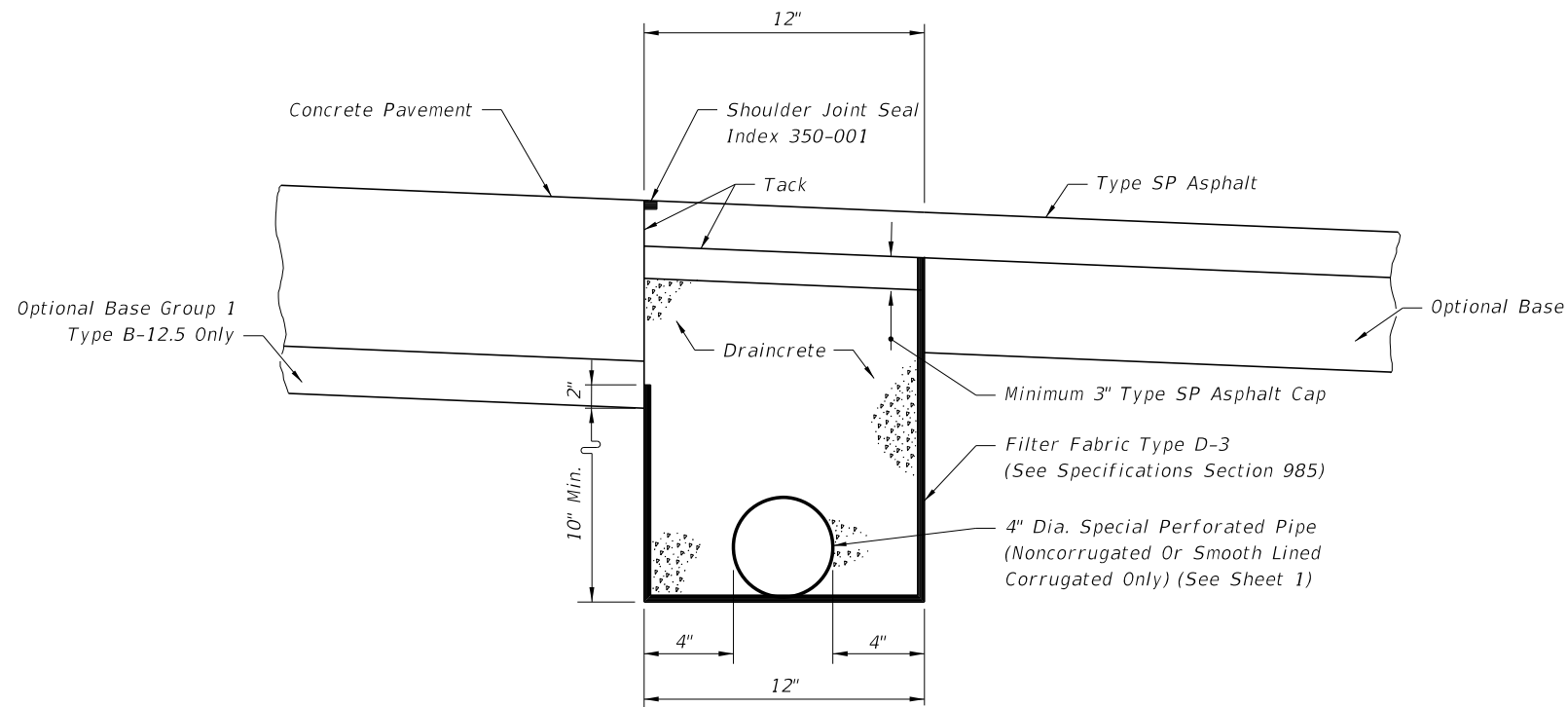
Shoulder joint seal shall be paid for under the contract unit price for Pavement Joint, LF.

10/16/2017 9:33:37 AM

LAST REVISION 11/01/17	DESCRIPTION:		FY 2018-19 STANDARD PLANS	CONCRETE PAVEMENT SUBDRAINAGE	INDEX	SHEET
					446-001	2 of 4



CONCRETE TRAVEL LANES,  
SHOULDERS, AND AUXILIARY PAVEMENT



ASPHALT SHOULDERS

ASPHALT BASE SUBDRAINAGE

NOTES FOR DRAINCRETE  
PAVEMENT SUBDRAINAGE


1. The edgedrain sections for DRAINCRETE SUBDRAINAGE are applicable to pavement construction identified as RIGID PAVEMENT on Index 120-001.
2. The contractor shall confine the construction of draincrete edgedrain to an area in which the entire operation can be carried out in five (5) work days, unless another construction period is called for in the plans, with sufficient time allowed for the draincrete to set before placement of pavement.

METHOD OF PAYMENT

NEW CONSTRUCTION:

1. The contract unit price for Edgedrain (Draincrete) LF shall be full compensation for trench excavation, disposal of excess material, filter fabric, draincrete edgedrain pipe and fittings and draincrete.  
Payment for outlet pipe shall be in accordance with General Note 9, Sheet 1 of 4.
2. Type B-12.5 shall be paid for under the contract unit price for Optional Base.
3. Shoulder pavement shall be paid for under the contract unit price for Type SP, Asphaltic Concrete.

10/16/2017 9:33:37 AM

LAST REVISION 11/01/17	REVISION	DESCRIPTION:	 FY 2018-19 STANDARD PLANS	CONCRETE PAVEMENT SUBDRAINAGE	INDEX 446-001	SHEET 3 of 4
---------------------------	----------	--------------	--	-------------------------------	------------------	-----------------

**GENERAL NOTES FOR TREATED PERMEABLE BASE EDGEDRAIN**

**NEW CONSTRUCTION**

1. The contractor shall confine the construction of edgedrain to an area in which the entire operation can be carried out in (5) work days, unless another construction period is called for the plans.

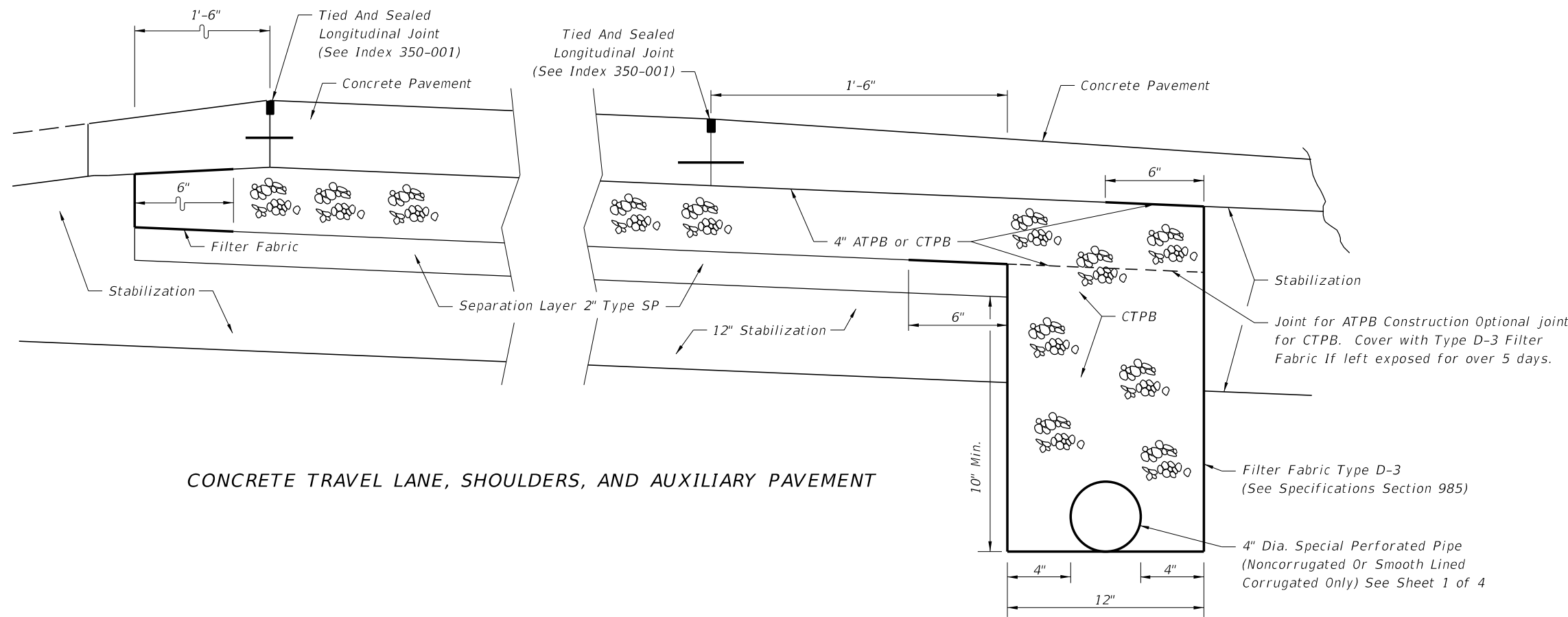
**METHOD OF PAYMENT**

**NEW CONSTRUCTION**

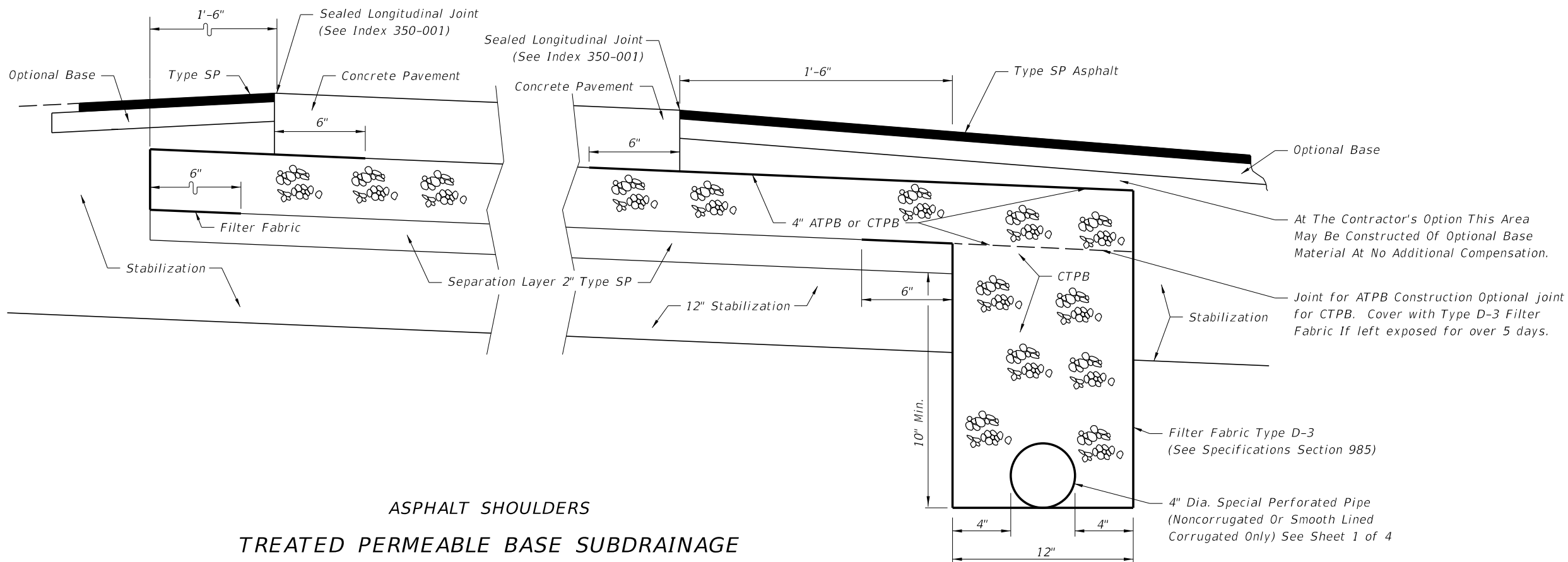
1. Payment shall be full compensation for trench excavation, disposal of excess materials, filter fabric, pipe and fittings, necessary for concrete pavement subdrainage construction. Payment shall be included in the cost for Asphalt Treated Permeable Base, CY or Cement Treated Permeable Base, CY.

Payment for outlet pipe shall be in accordance with General Note 9, Sheet 1 of 4.

2. Shoulder pavement and separation layer shall be paid for under the contract unit price for Type SP, Asphaltic Concrete.



**CONCRETE TRAVEL LANE, SHOULDERS, AND AUXILIARY PAVEMENT**



**ASPHALT SHOULDERS  
TREATED PERMEABLE BASE SUBDRAINAGE**

10/16/2017 9:33:38 AM

LAST REVISION 11/01/17	DESCRIPTION:		FY 2018-19 STANDARD PLANS	CONCRETE PAVEMENT SUBDRAINAGE	INDEX	SHEET
					446-001	4 of 4