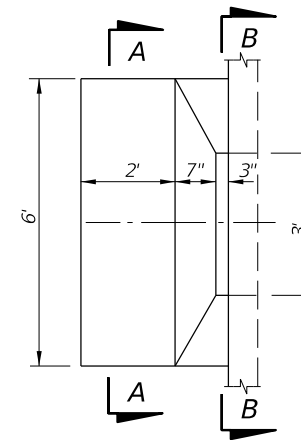
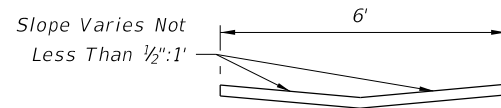


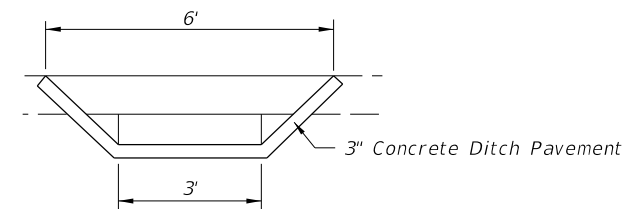
LONGITUDINAL SECTION



PLAN



SECTION AA



SECTION BB

SAFETY MODIFICATION FOR INLETS IN BOX CULVERTS

10/16/2017 8:51:52 AM

LAST REVISION 11/01/17	DESCRIPTION:	 FY 2018-19 STANDARD PLANS	SAFETY MODIFICATIONS FOR INLET IN BOX CULVERTS	INDEX 425-090	SHEET 1 of 1
---------------------------	--------------	--	---	------------------	-----------------