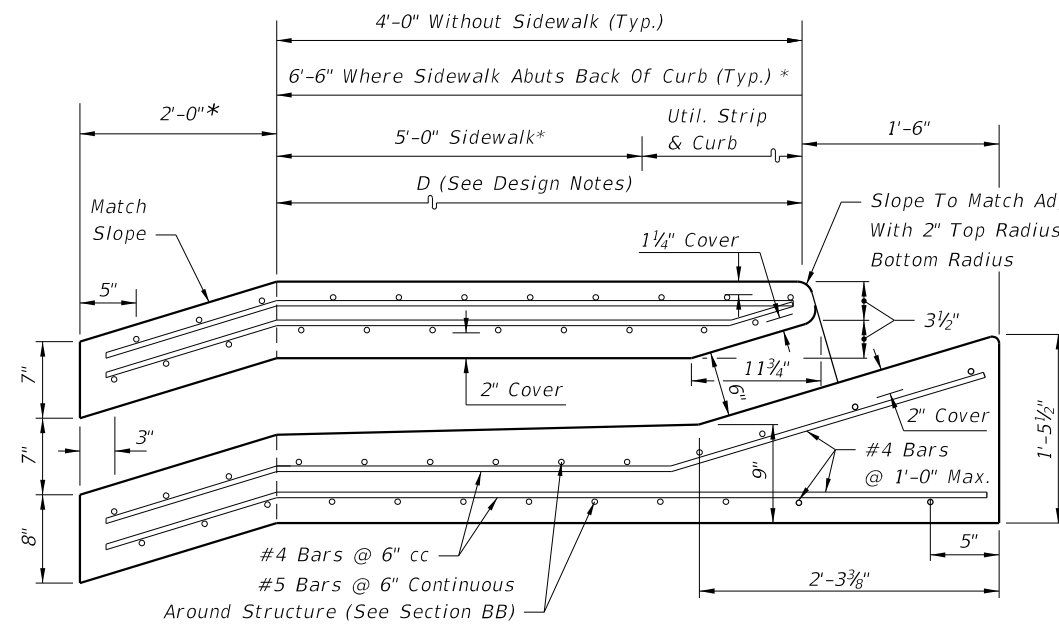
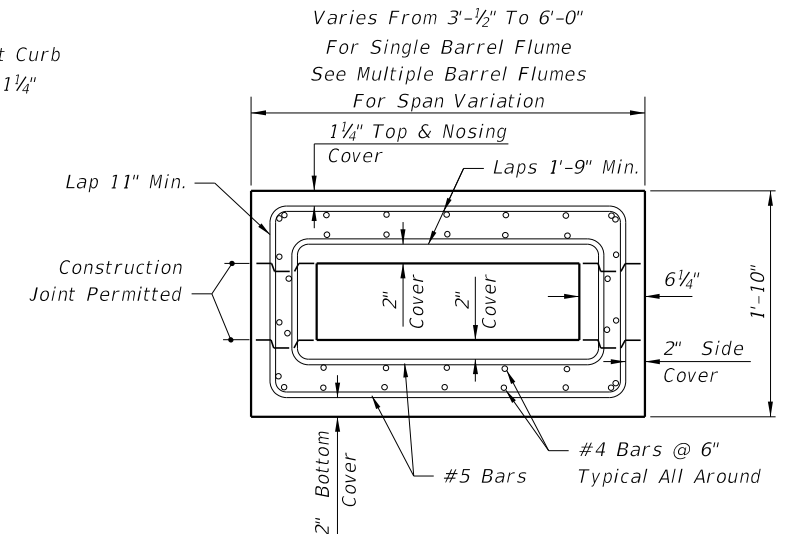


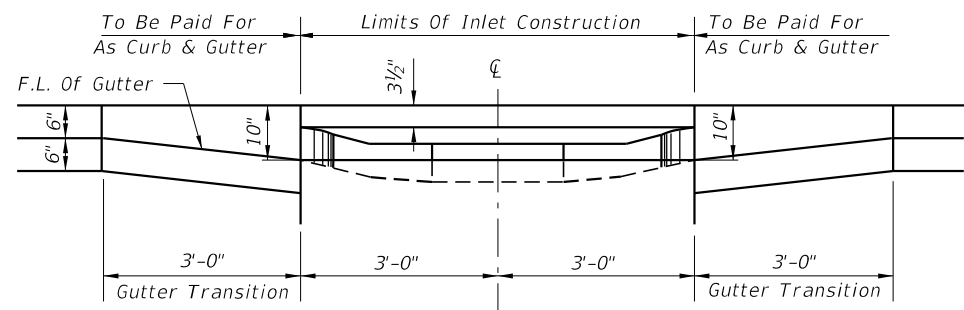
TOP VIEW



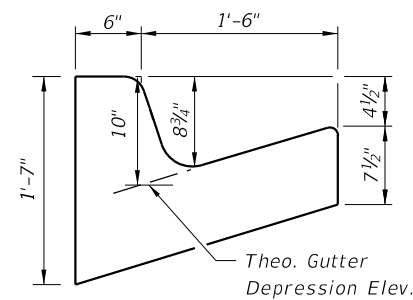
SECTION AA



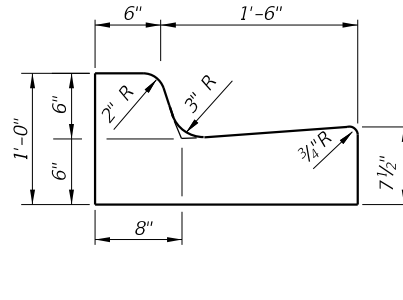
SECTION BB



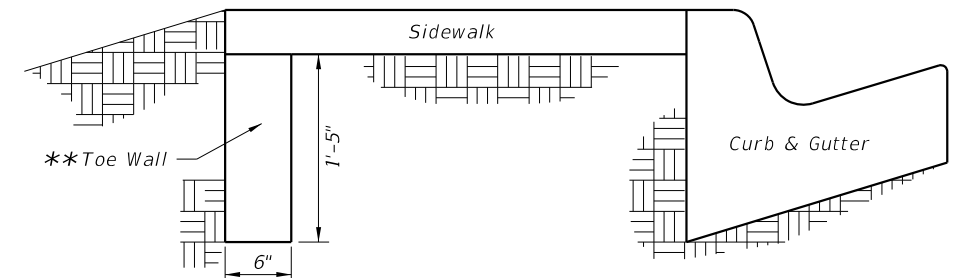
SECTION CC



SECTION DD



SECTION EE
(Curb And Gutter Type F)

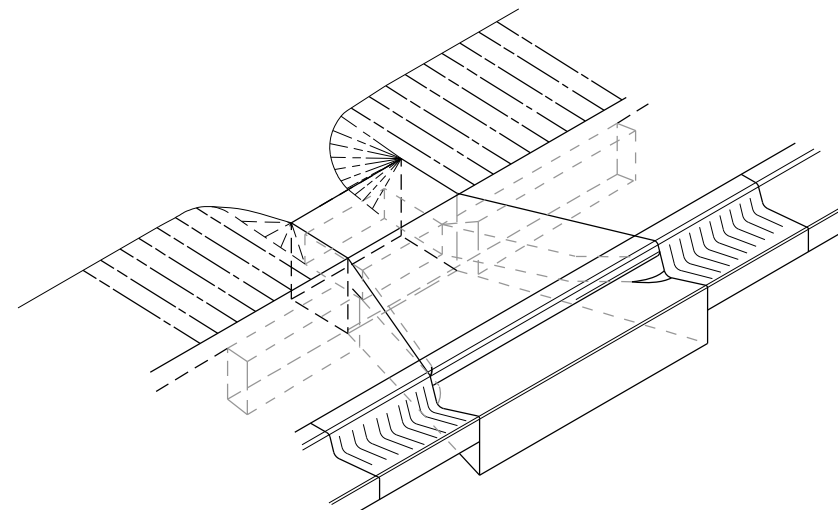


SECTION FF

* Sloped Section to be used w/sidewalk applications only.
 ** Toe Walls as depicted to be used with sidewalk application only. For endwall without sidewalk see detail on Sheet 2.

DESIGN NOTES

1. These inlets are designed for use with Type F curb and gutter only. Locate inlet outside of curb ramp area.
 The Single Barrel Flume is intended for locations with light to moderate flows. Multiple Barrel Flumes must be selected to meet design heavy flows.
2. Designer must specify Flume Type, "D" dimension, number of barrels and guiderail requirements in plans.
3. Designer must specify where energy dissipating bricks are required.



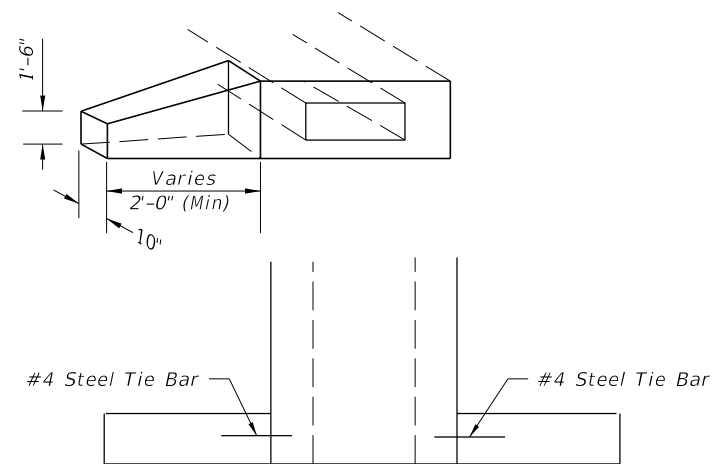
FLUME W/SIDEWALK INLET (CLOSED FLUME) TYPE I
 SINGLE BARREL FLUME DEPICTED

GENERAL NOTES

1. The finished grade and slope of the inlet top are to conform with the finished cross slope and grade of the proposed sidewalk and/or border.
2. When inlets are to be constructed on a curve, refer to the plans to determine the radius and, where necessary, modify the inlet details accordingly. Bend steel when necessary.
3. All steel shall have 2" minimum cover unless otherwise shown. Inlets can be either cast-in-place or precast concrete. Chamfer all exposed edges 3/4".
4. All reinforcement is ASTM A615/A615M Grade 60 steel, either smooth or deformed. Equivalent area grade 40 steel or 65 ksi welded wire fabric may be substituted.
5. Inlets to be paid for under the contract unit price for Inlets (Closed Flume) EA.

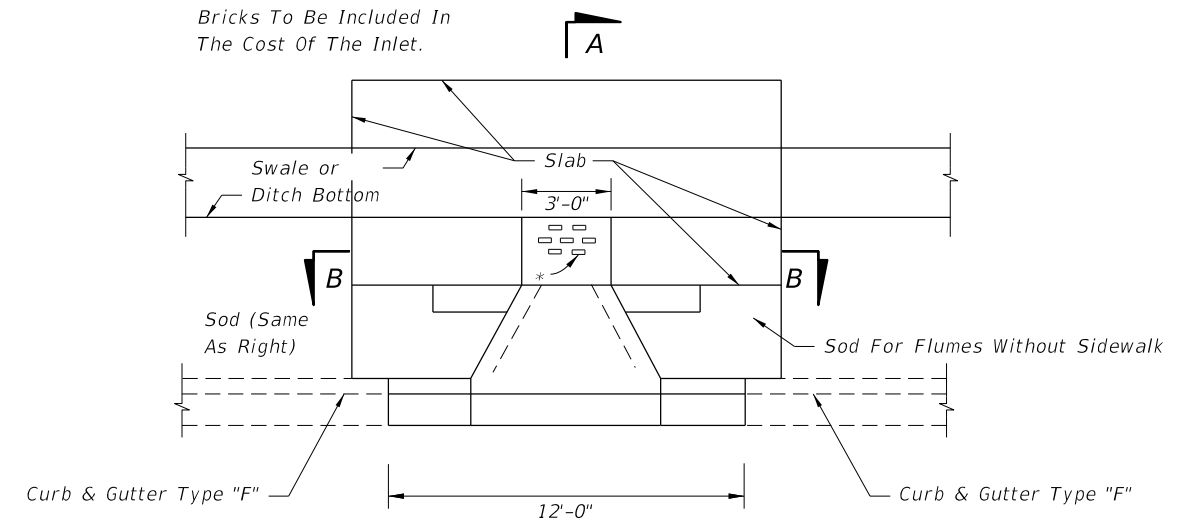
10/16/2017 8:50:29 AM

LAST REVISION 11/01/17	REVISION	DESCRIPTION:		FY 2018-19 STANDARD PLANS	CLOSED FLUME INLET	INDEX 425-061	SHEET 1 of 3
---------------------------	----------	--------------	--	------------------------------	--------------------	------------------	-----------------

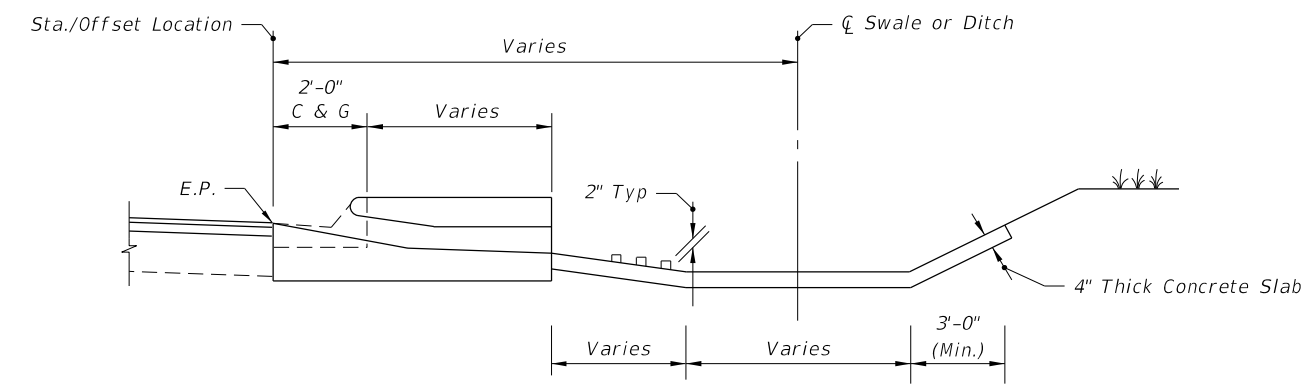


ENDWALL

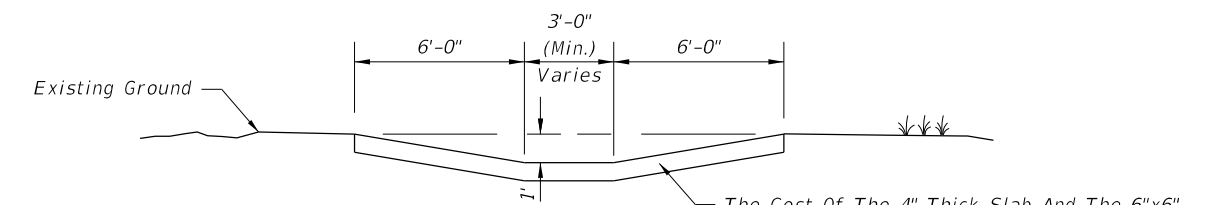
*Bricks to Dissipate Energy
When Called For In Plans.
Bricks To Be Included In
The Cost Of The Inlet.



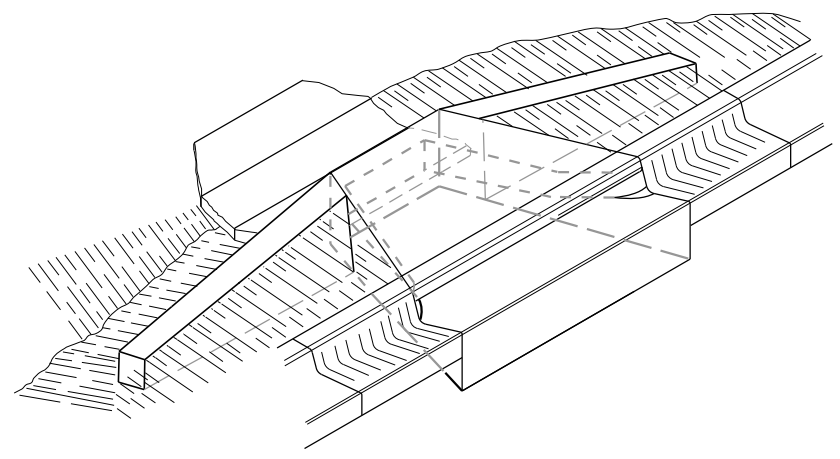
PLAN



SECTION AA



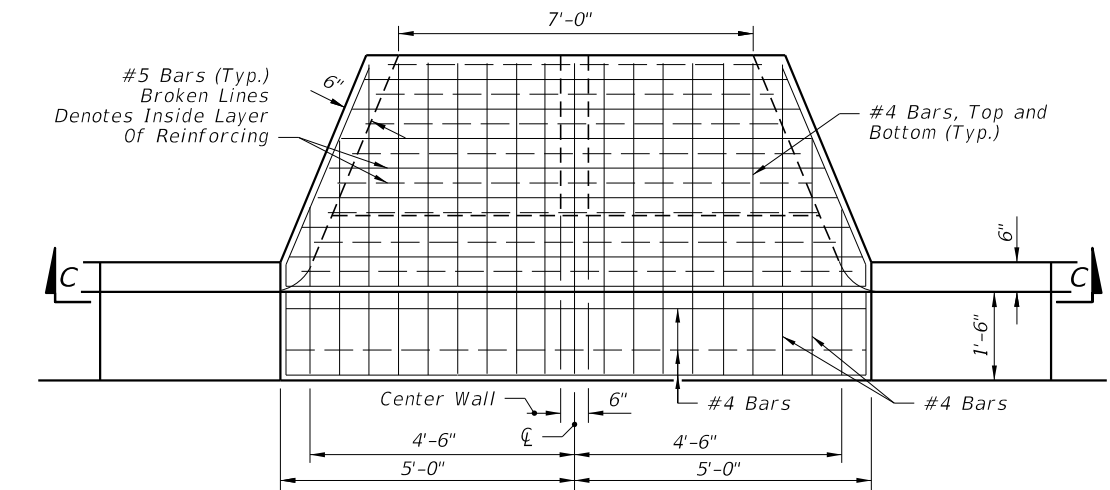
SECTION BB



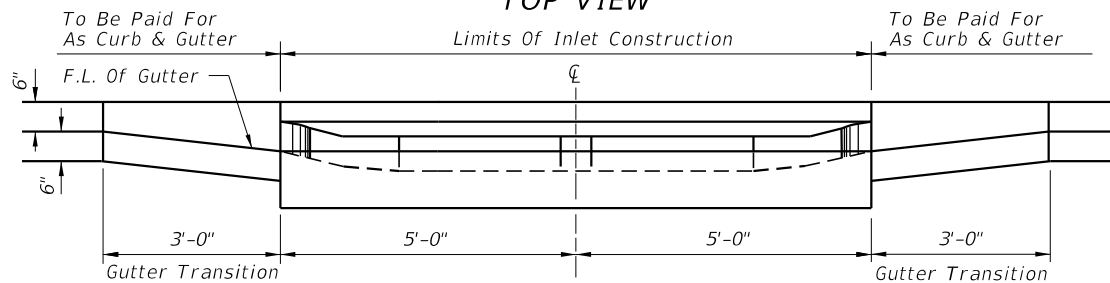
FLUME W/O SIDEWALK INLET (CLOSED FLUME) TYPE II
SINGLE BARREL FLUME DEPICTED

10/16/2017 8:50:29 AM

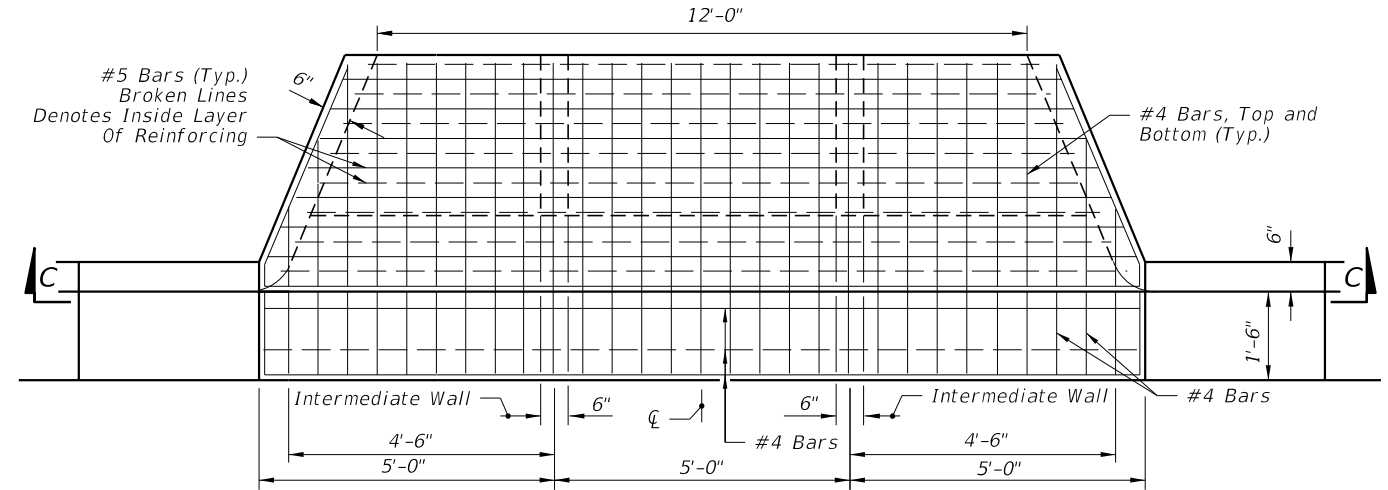
LAST REVISION 11/01/17	REVISION	DESCRIPTION:	 FY 2018-19 STANDARD PLANS	CLOSED FLUME INLET	INDEX 425-061	SHEET 2 of 3
---------------------------	----------	--------------	--	--------------------	------------------	-----------------



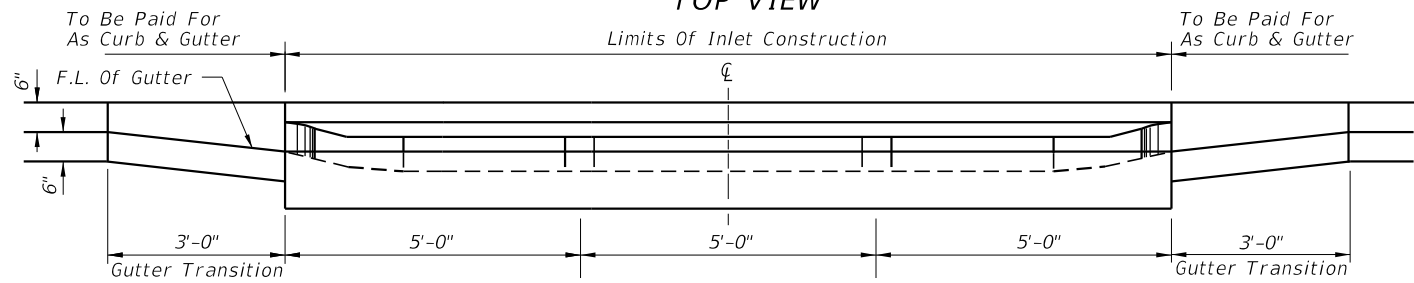
TOP VIEW



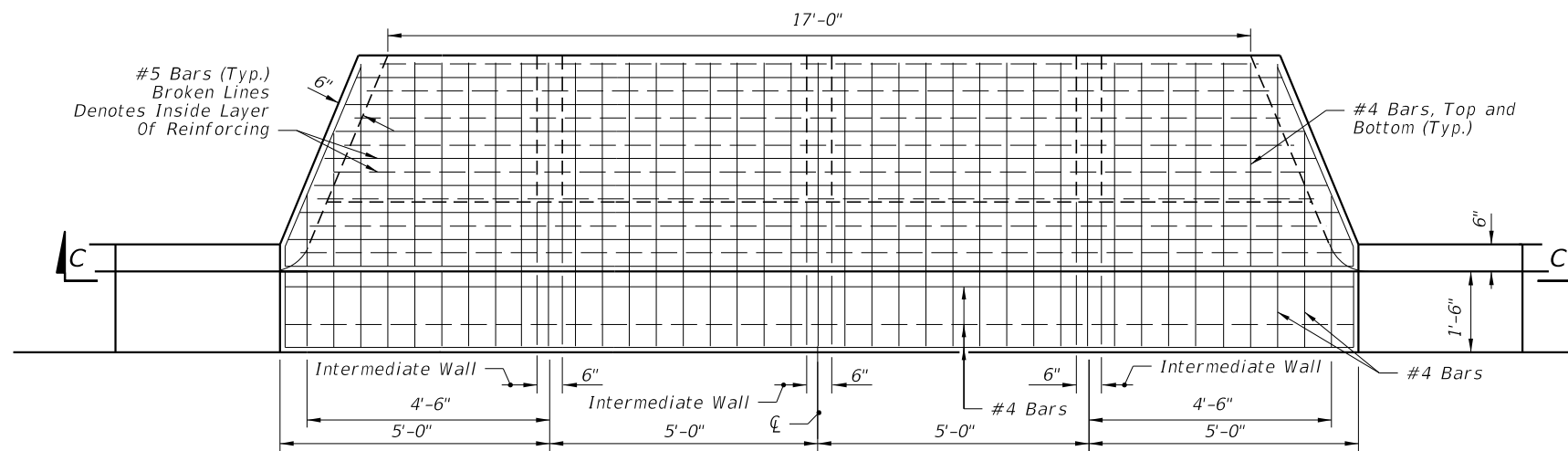
SECTION CC
DOUBLE BARREL FLUME



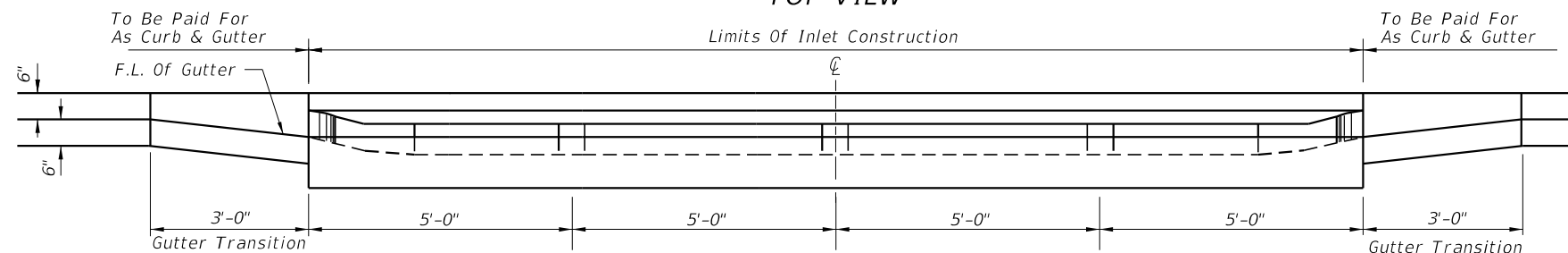
TOP VIEW



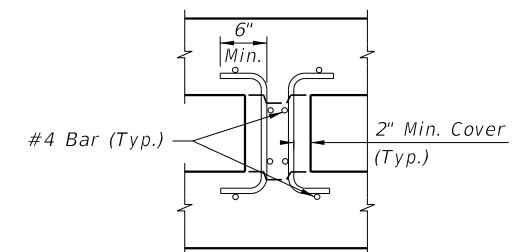
SECTION CC
TRIPLE BARREL FLUME



TOP VIEW



SECTION CC
QUADRUPLE BARREL FLUME



INTERMEDIATE-WALL REINFORCING

NOTE: See Barrel Flume For Base Dimensions.

10/16/2017 8:50:30 AM

LAST REVISION 11/01/17	DESCRIPTION:
---------------------------	--------------



FY 2018-19
STANDARD PLANS

CLOSED FLUME INLET

INDEX
425-061

SHEET
3 of 3