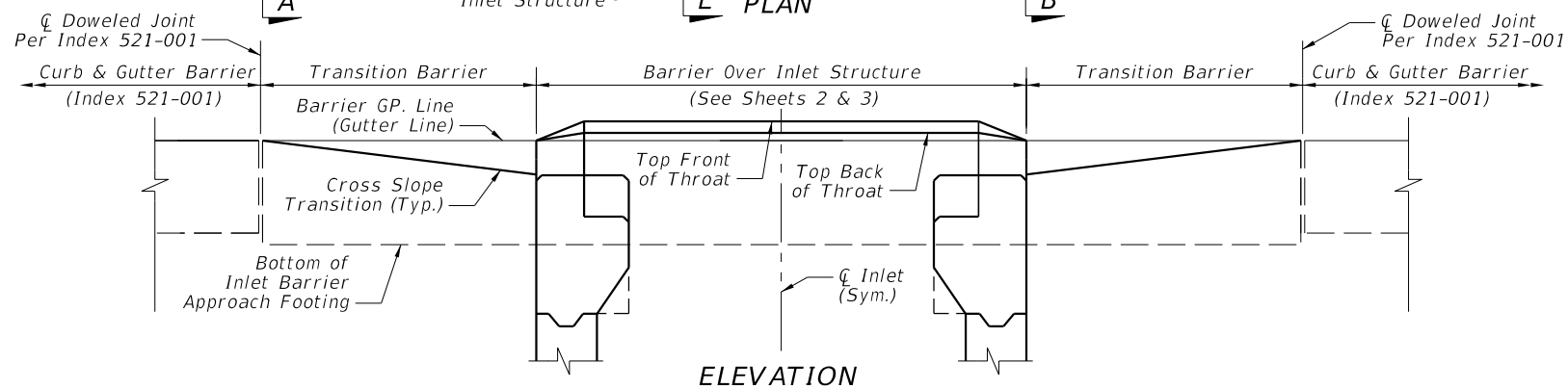
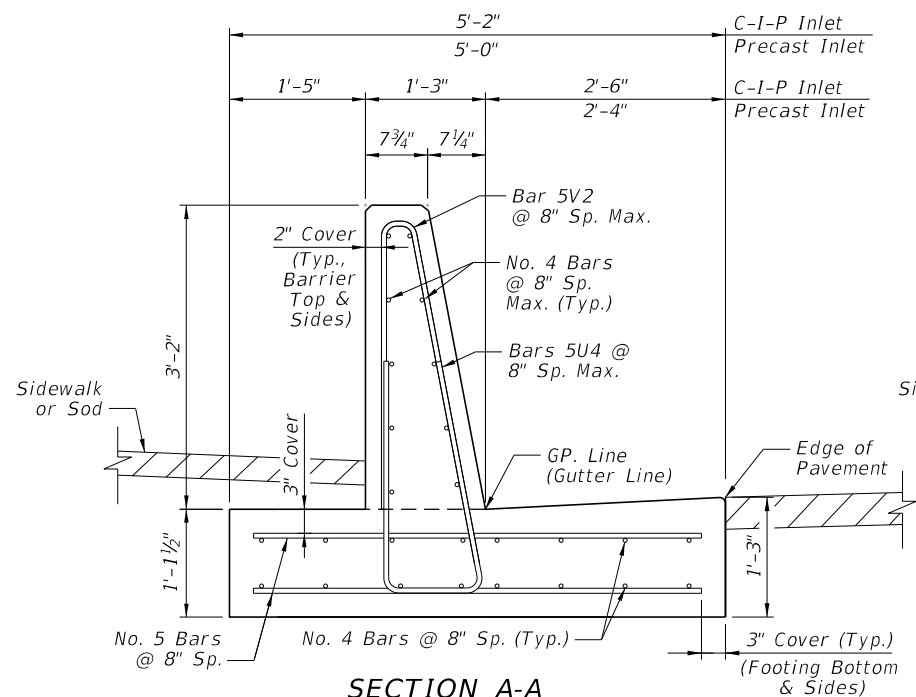


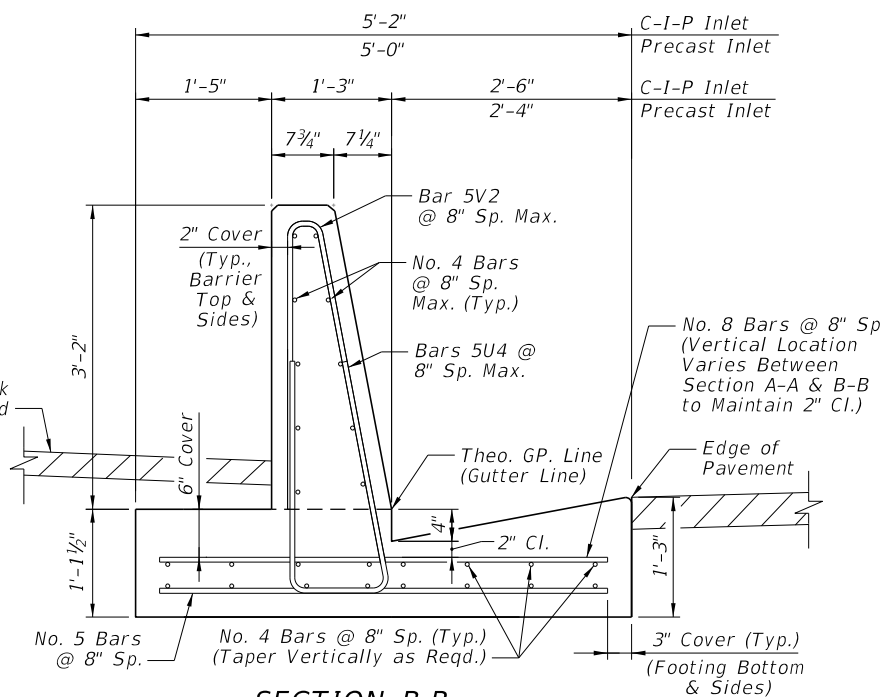
ISOMETRIC VIEW



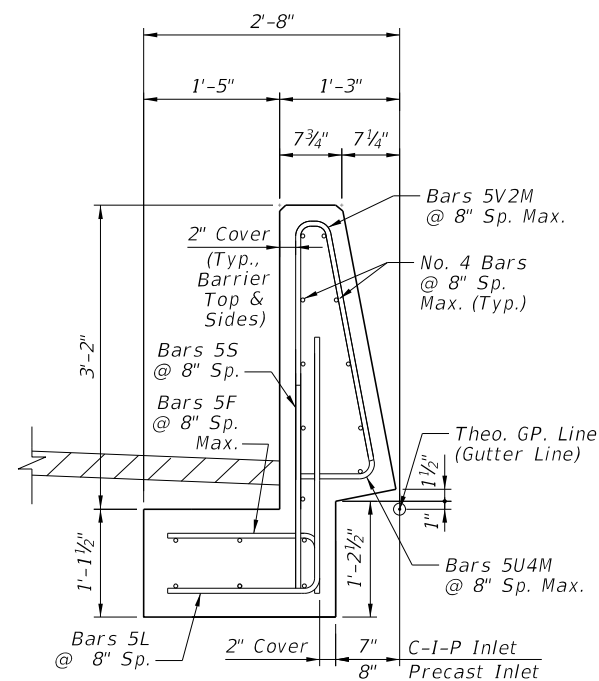
ELEVATION



SECTION A-A  
TRANSITION BARRIER  
BEGIN CROSS-SLOPE TRANSITION  
(ALIGN WITH CURB AND GUTTER  
BARRIER, SEE INDEX 521-001)



SECTION B-B  
TRANSITION BARRIER  
END CROSS-SLOPE TRANSITION  
(ALIGN WITH INLET STRUCTURE)



SECTION C-C  
BARRIER OVER INLET STRUCTURE  
(THROAT FULLY TRANSITIONED)

**GENERAL NOTES:**

- Where called for in the Plans, use this inlet in conjunction with Curb and Gutter Barrier per Index 521-001. Construct Barrier segments shown herein in accordance with requirements of Index 521-001, including connections to adjacent barrier segments using the Doweled Joint.
- Reinforcing shown is grade 60 steel bars. For the equivalent area of welded wire reinforcement for the inlet, see Index 425-001. Reinforcing shall have 2" minimum cover unless otherwise shown. Trim or bend bars to provide 1 1/2" clearance around pipe openings. The cost for additional reinforcing in the barrier is included in the cost of the concrete barrier.
- For Bar Bending Details of Bars 5V2 & 5U4, see Index 521-001. For all others, see Sheet 2 & 3.
- All barrier is Class II or IV concrete per Index 521-001.
- Apply a 3/4" chamfer or 1/4" radius to all exposed concrete edges.
- For pipe connections to inlet structure bottoms, the recommended maximum pipe sizes are 18" longitudinal and 30" transverse. For larger pipe, use Alternate B bottoms, Index 425-010.
- Grates may be fabricated with reticulate bars or with either 1/2" dia welded or 3/8" dia electroforged cross bars and bearing bars as detailed on Sheet 3.
- When Alternate G grate is specified in the plans, the grate is to be hot-dip galvanized after fabrication, in accordance with Specification 962-9.
- For Pay Item purposes, the depth of the barrier inlet shall be computed using the center of box grate elevation, minus either the flow line elevation of the lowest pipe flow line or the top of the sump floor elevation.
- All dimensions are for both precast and cast in place (C-I-P) inlets unless otherwise indicated.
- For inlets placed in areas of bicycle traffic, provide the extended crossbar or bar stub (See Insets "B" and "B ALTERNATE").
- Inlets to be paid for under the contract unit price for Inlets, Barrier Rigid, Curb and Gutter, Each.
- Concrete Barrier to be paid for under the contract unit price for Shoulder Concrete Barrier, Rigid-Curb & Gutter, LF.

**BARRIER SECTIONS**

10/16/2017 8:56:28 AM

LAST REVISION 11/01/17	DESCRIPTION:
---------------------------	--------------

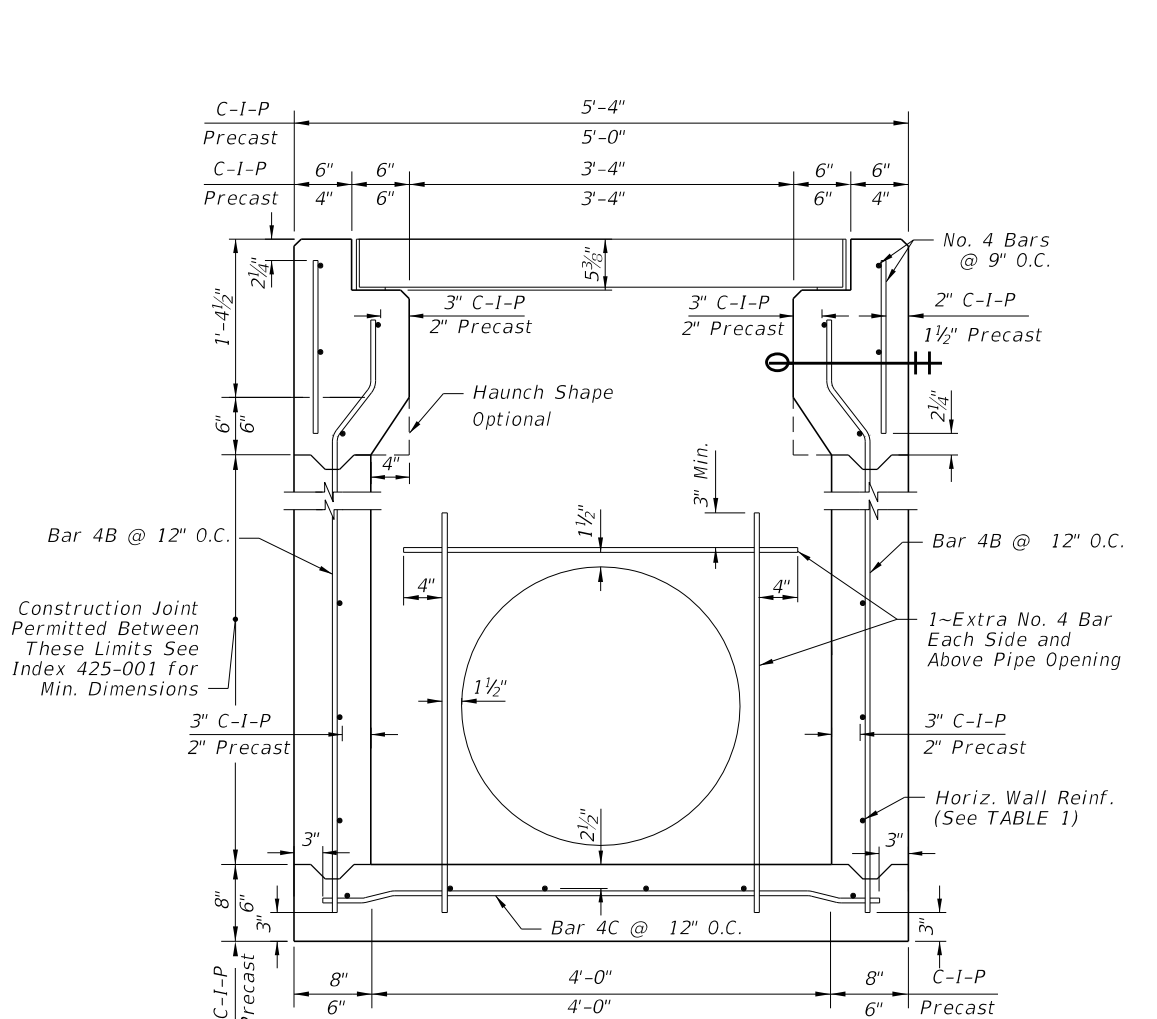


FY 2018-19  
STANDARD PLANS

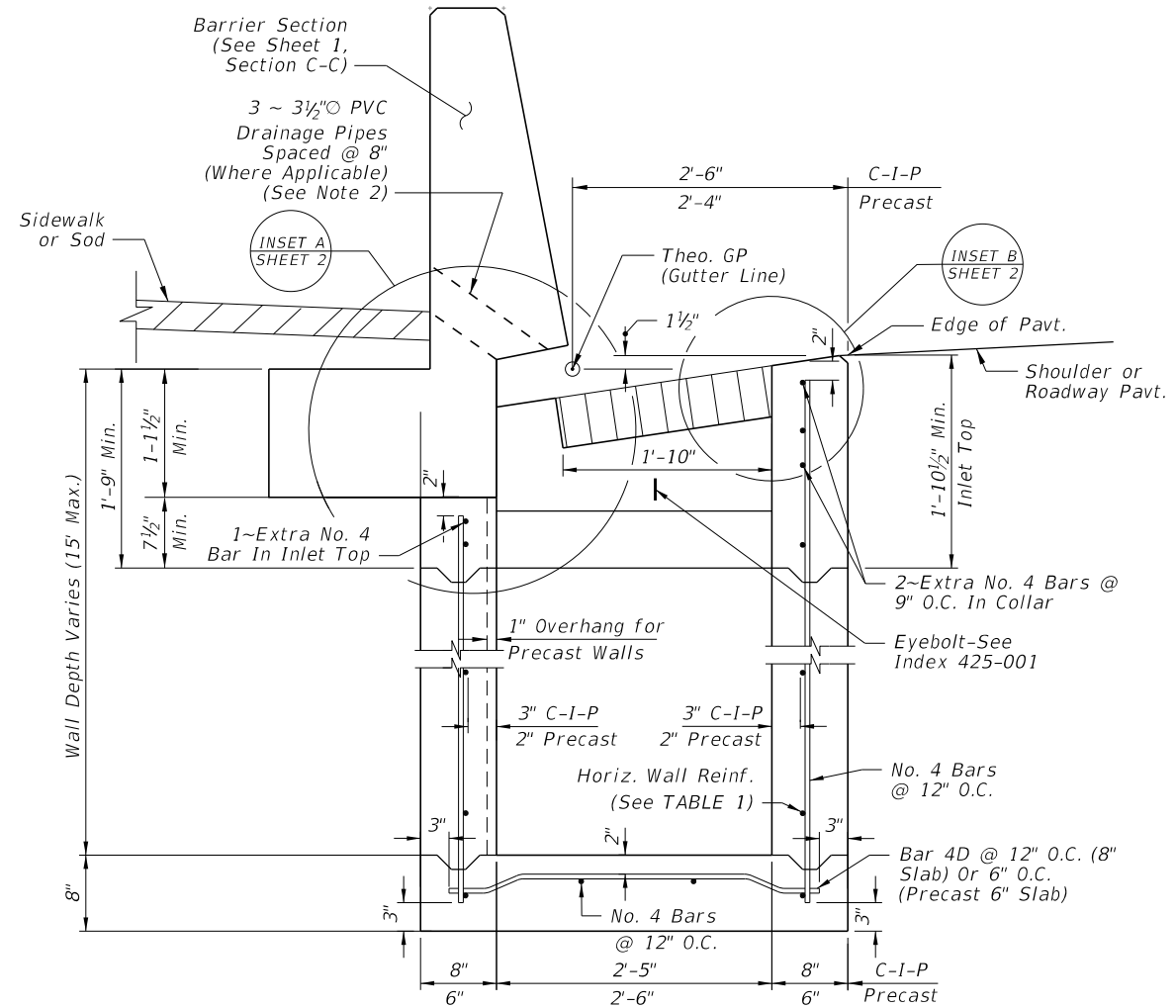
CURB AND GUTTER BARRIER INLET

INDEX 425-032	SHEET 1 of 3
------------------	-----------------

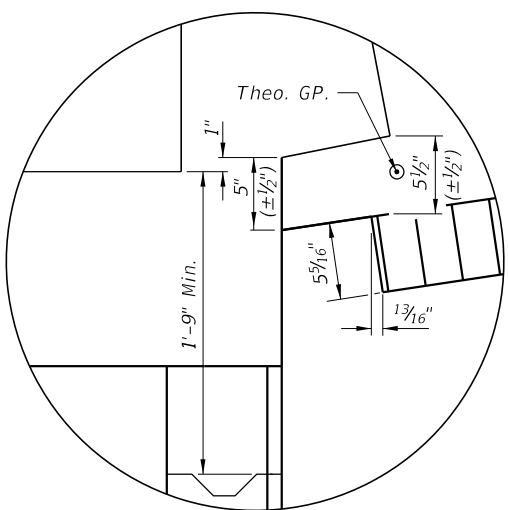
10/16/2017 8:56:29 AM



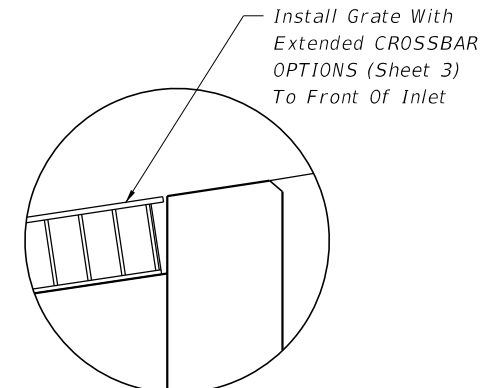
**SECTION D-D  
INLET STRUCTURE**  
(18" Dia. Pipe Opening Shown)



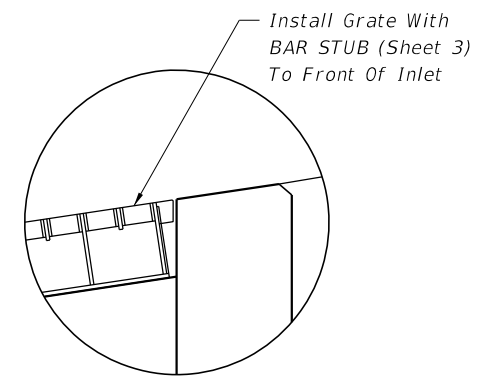
**SECTION E-E**  
(Pipe Opening Not Shown)  
(Barrier Reinforcing Steel Not Shown,  
See Sheet 1, Section C-C)



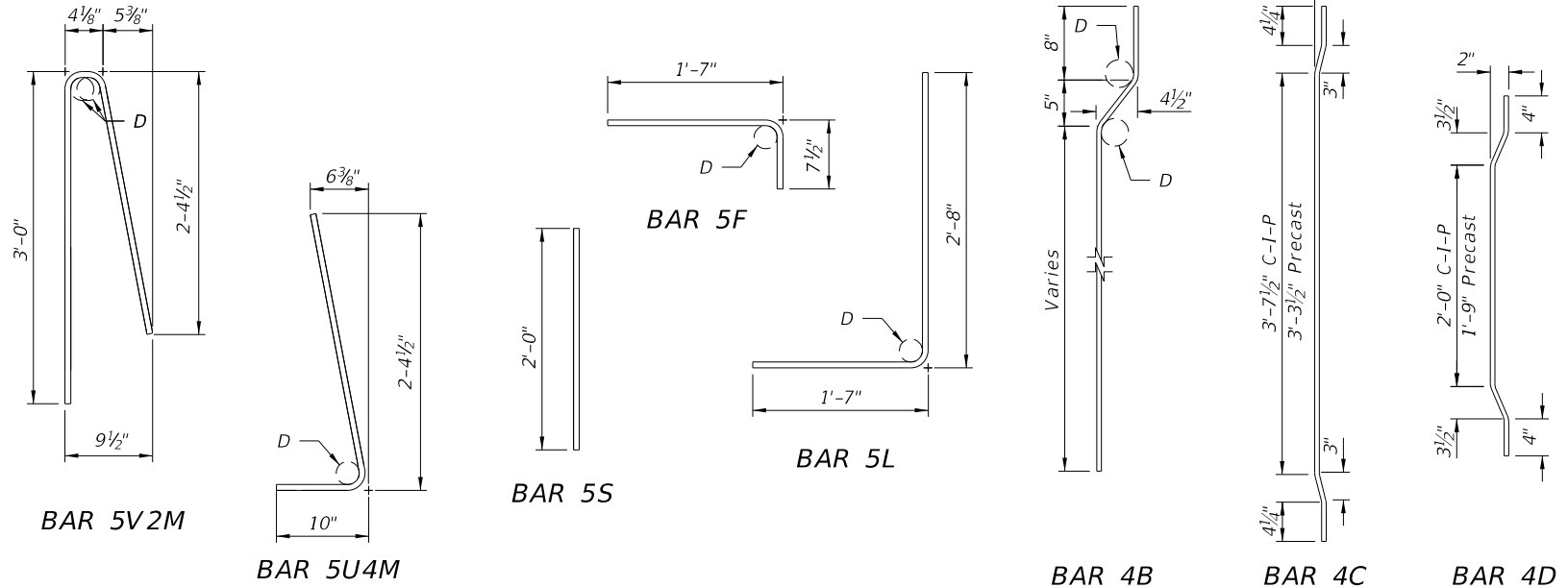
**INSET A**



**INSET B**  
(See General Note 10)



**INSET B ALTERNATE**  
(See General Note 10)



**BAR BENDING DIAGRAMS**

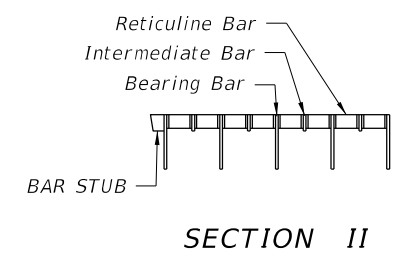
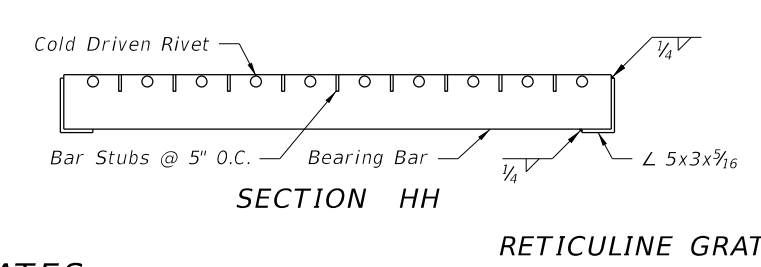
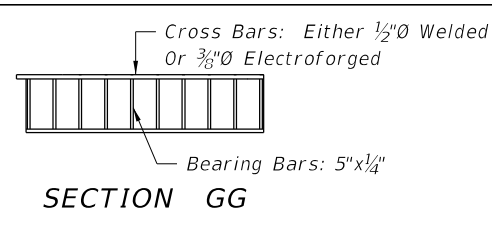
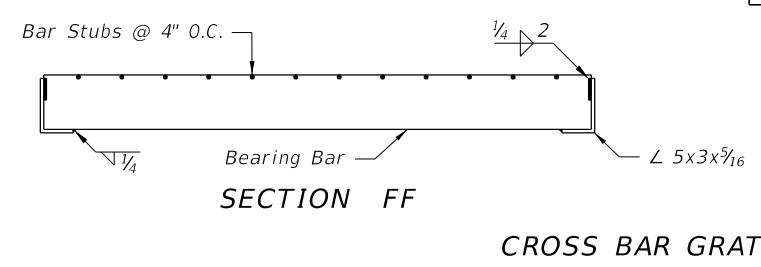
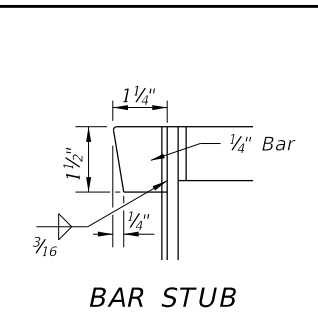
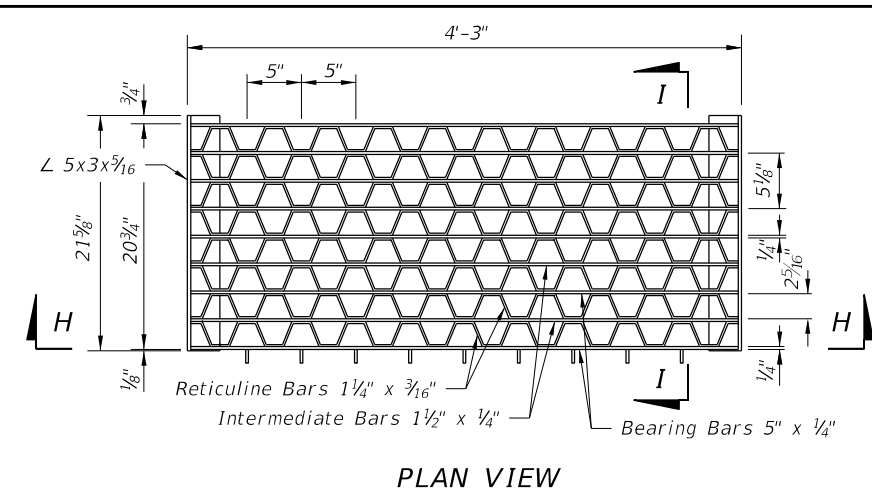
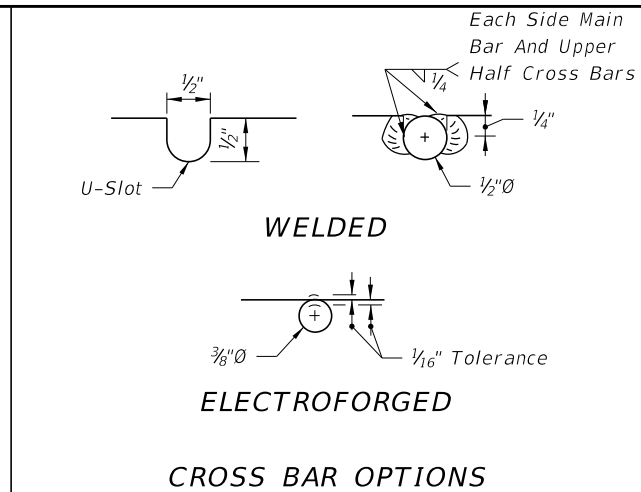
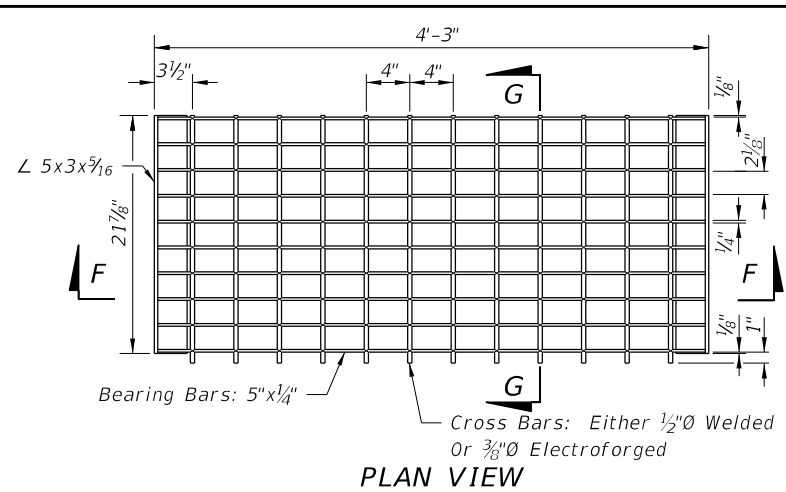
WALL DEPTH C-I-P	PRECAST	SCHEDULE	AREA (in. <sup>2</sup> /ft.)	MAX. SPACING BARS	WWR
0'-4"	0'-3"	A12	0.20	12"	8"
4'-9"	3'-6"	A6	0.20	6"	5"
9'-15"	6'-10"	B5.5	0.24	5 1/2"	5"
10'-15"		C6.5	0.37	6 1/2"	6"

**TABLE 1: HORIZONTAL  
WALL REINFORCING SCHEDULE**

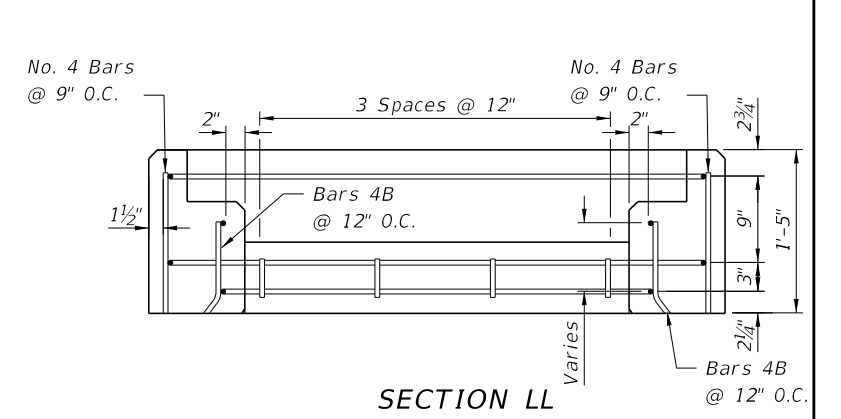
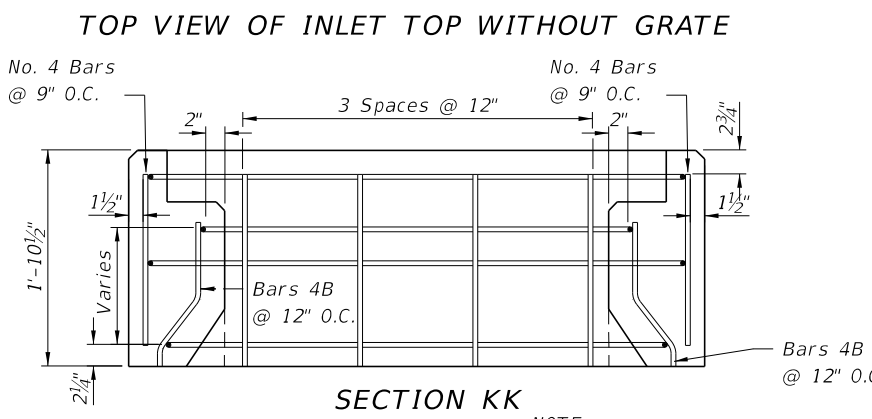
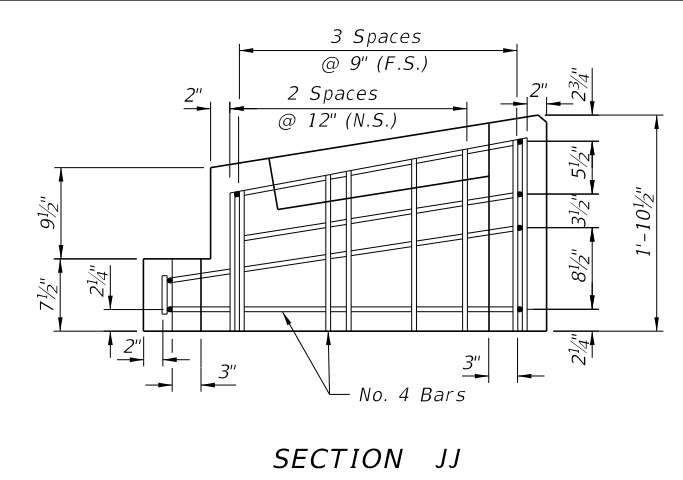
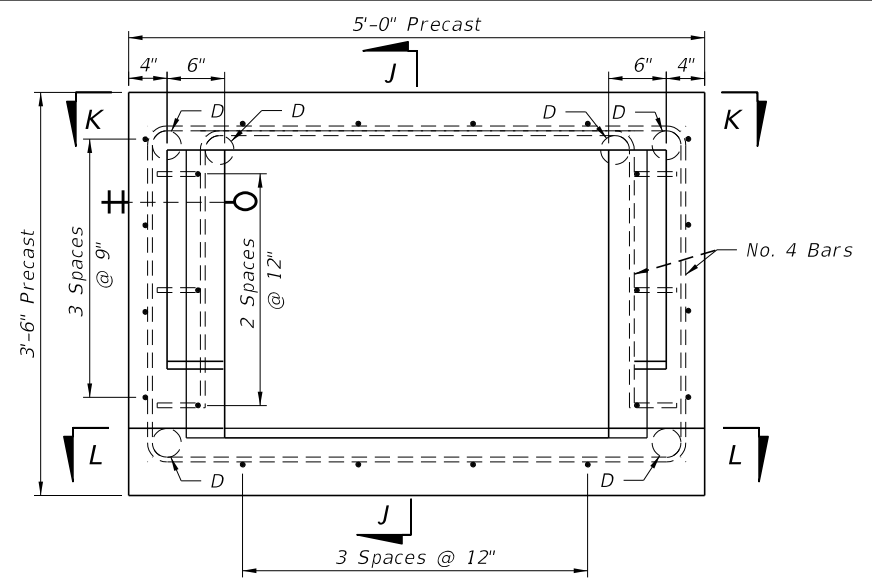
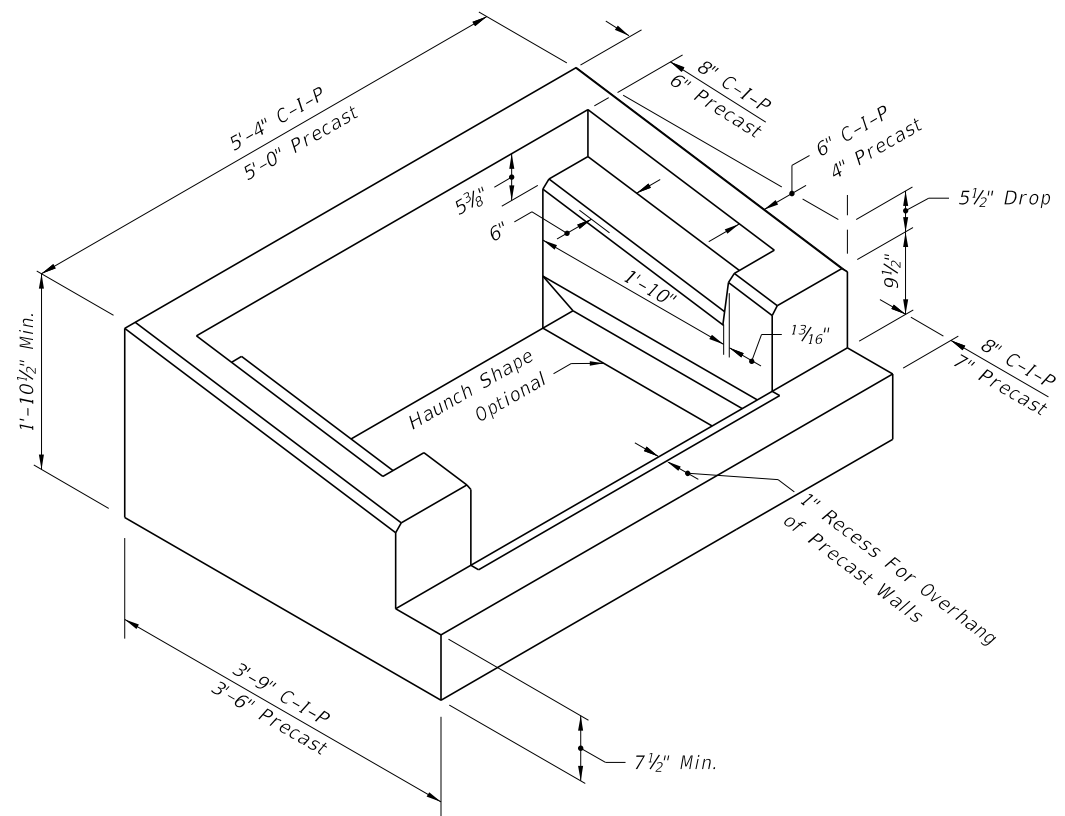
**NOTES:**

- For Bar Bending Diagrams of Bars 5V2 & 5U4, See Index 521-001. Bars 5V2M, 5U4M, & 5S may be field cut from Bars 5V2 & 5U4.
- Install PVC drainage pipes at the inlet centerline when the inlet is located in a sag curve or when drainage pipes are called for in the plans. Install a quantity of 3 ~ 3 1/2" O (I.D.) NPS Schedule 40 Pipes longitudinally spaced at 8", with the center pipe as near to the inlet centerline as practical without conflicting with the steel reinforcing.

LAST REVISION 11/01/17	DESCRIPTION:
---------------------------	--------------



**OPTIONAL STEEL GRATES**



NOTE:  
 1. For additional information on Bar 4B, see BAR BENDING DIAGRAMS (Sheet 2).  
 2. C-I-P Inlet Top Reinforcing Similar

**PRECAST INLET TOP REINFORCING DETAILS**

10/16/2017 8:56:29 AM

LAST REVISION 11/01/17	DESCRIPTION:
---------------------------	--------------