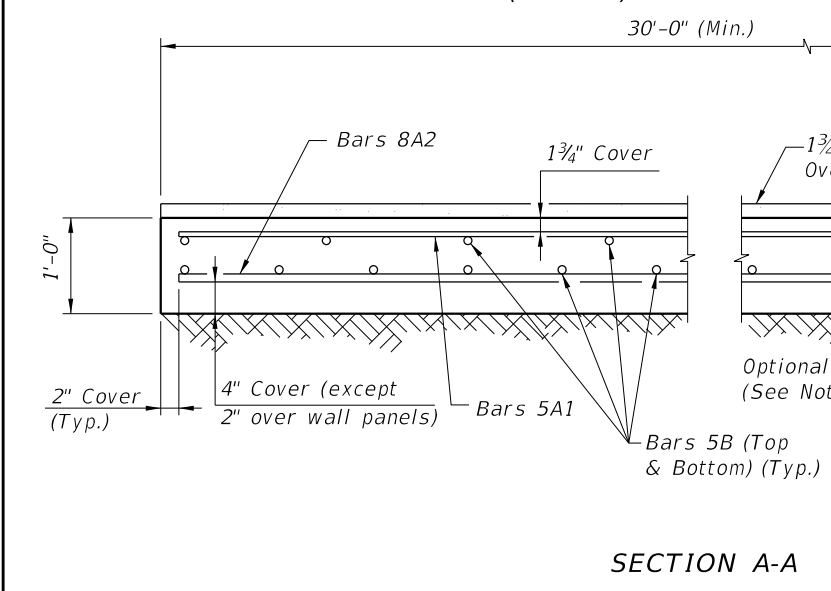
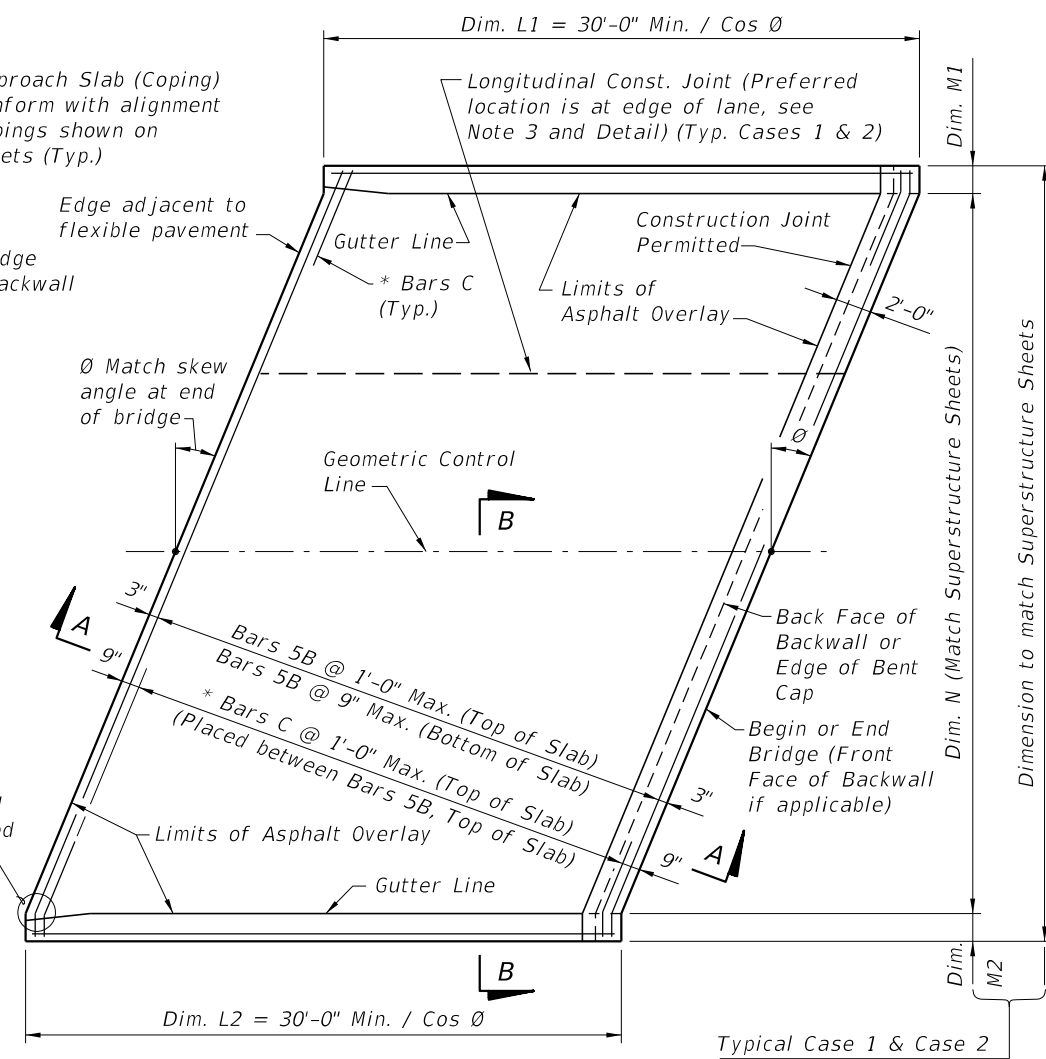


PLAN VIEW (CASE 1)

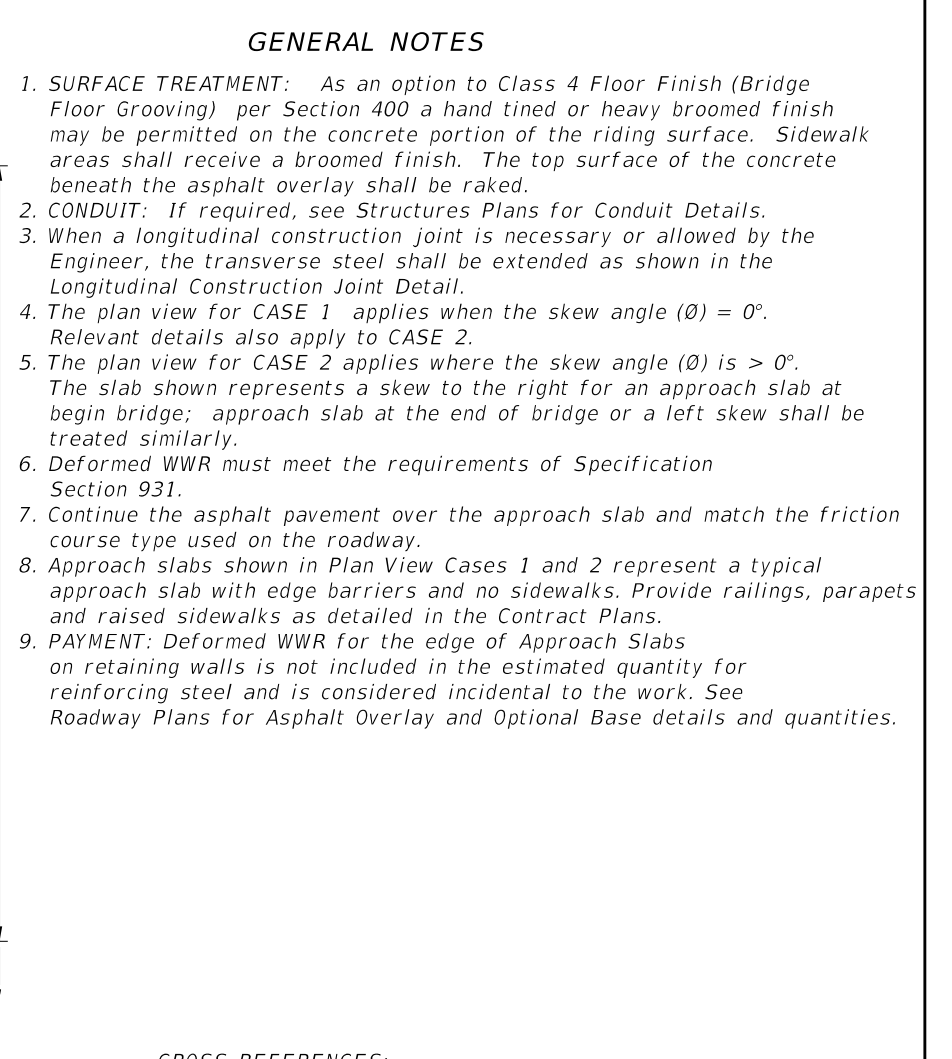


SECTION A-A

\* NOTE: Bars C are required as shown when the 36" or 42" Single-Slope Traffic Railings, or the Traffic Railing/Noise Wall, are used at the edge of the Approach Slab.



PLAN VIEW (CASE 2)



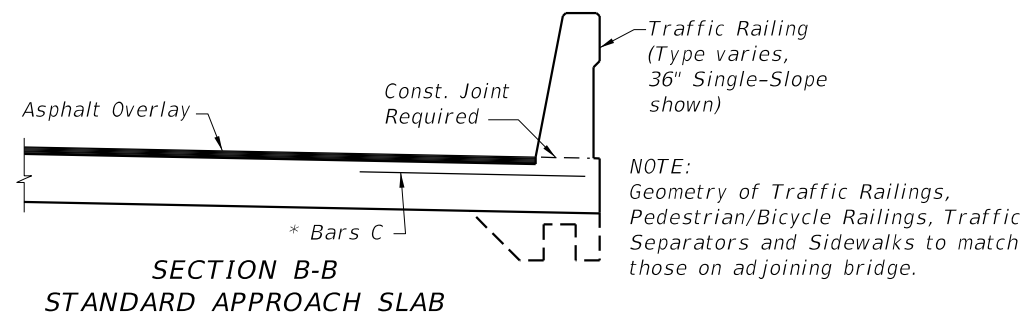
GENERAL NOTES

CROSS REFERENCES:

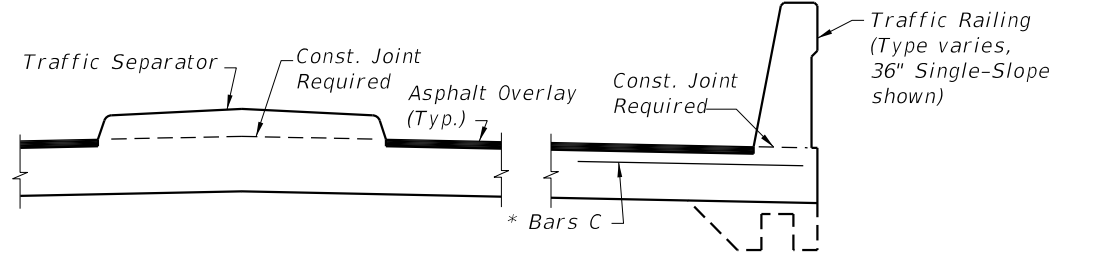
For Section B-B, Longitudinal Construction Joint Detail and Approach Slab Details see Sheet 2.

10/26/2017 8:35:18 AM

LAST REVISION 11/01/17	REVISION	DESCRIPTION:		FY 2018-19 STANDARD PLANS	APPROACH SLABS (30 FT.) (FLEXIBLE PAVEMENT APPROACHES)	INDEX 400-090	SHEET 1 of 2
---------------------------	----------	--------------	--	------------------------------	---	------------------	-----------------

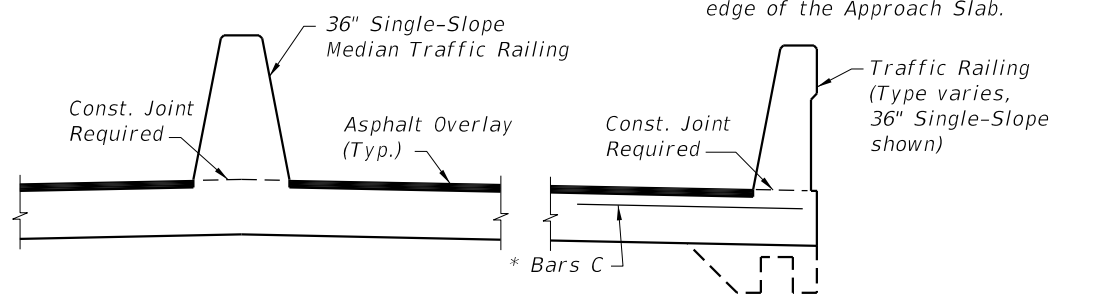


SECTION B-B  
STANDARD APPROACH SLAB

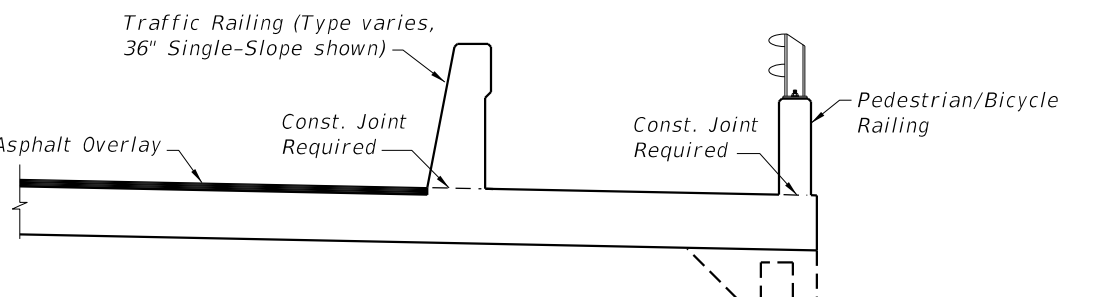


SECTION B-B  
APPROACH SLAB WITH TRAFFIC SEPARATOR

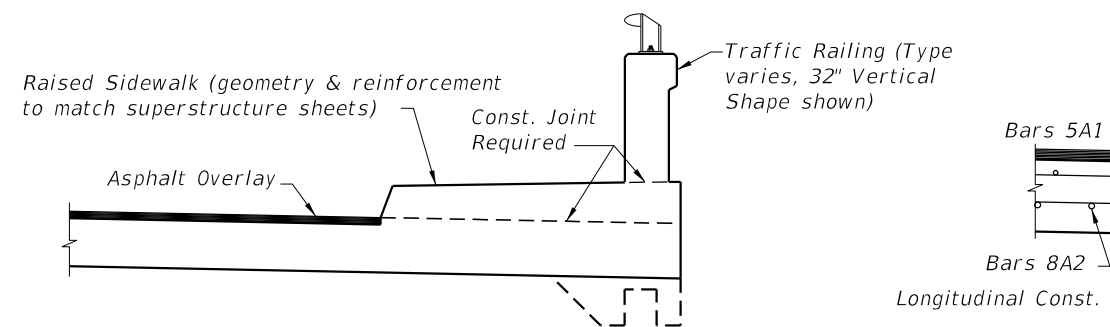
\*NOTE: Bars C are required as shown when the 36\"/>



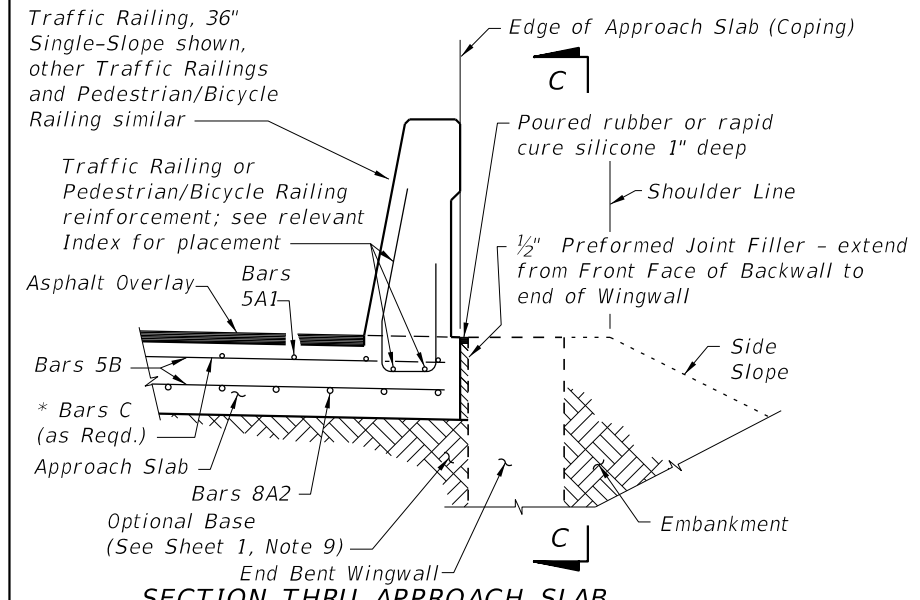
SECTION B-B  
APPROACH SLAB WITH MEDIAN TRAFFIC RAILING



SECTION B-B  
APPROACH SLAB WITH SIDEWALK

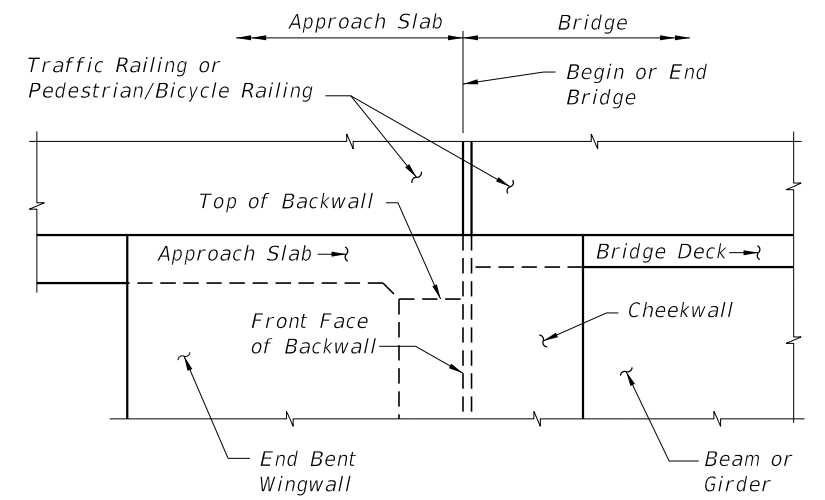


SECTION B-B  
APPROACH SLAB WITH RAISED SIDEWALK

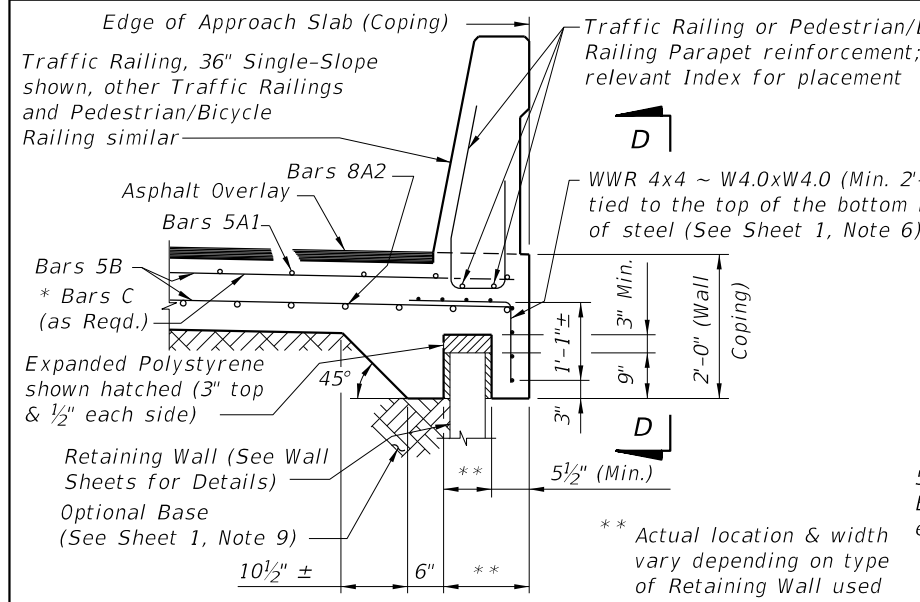


SECTION THRU APPROACH SLAB  
AND END BENT WINGWALL

APPROACH SLAB WITH WINGWALL DETAILS

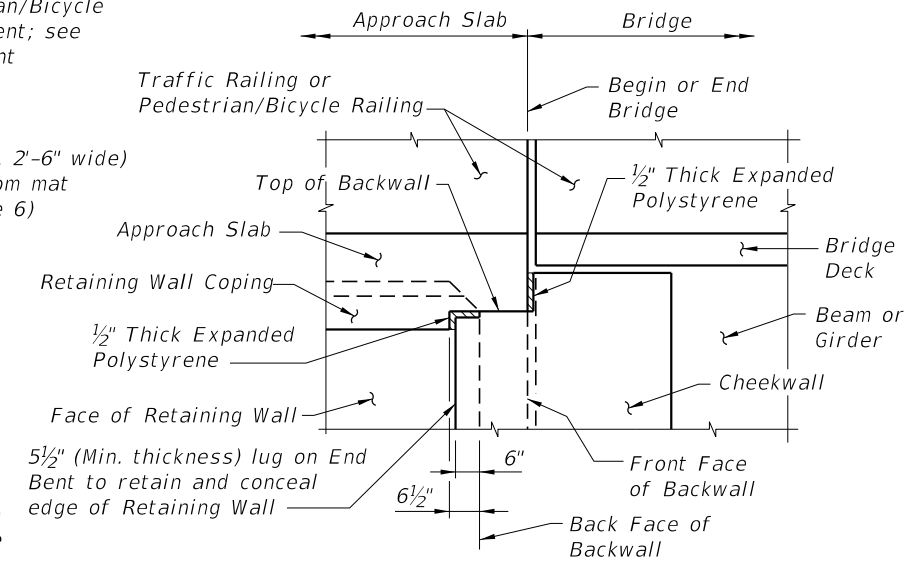


VIEW C-C AT BEGIN OR END BRIDGE (BEAM  
BRIDGE SHOWN, FLAT SLAB BRIDGE SIMILAR)

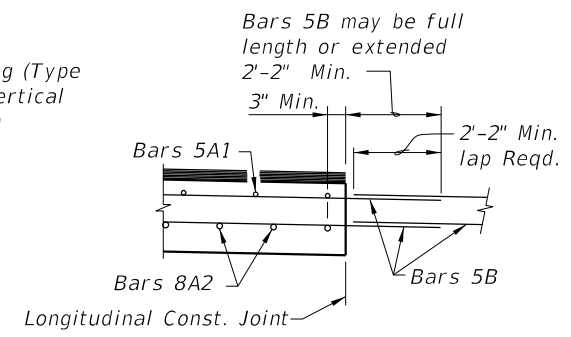


SECTION THRU APPROACH SLAB  
AND RETAINING WALL

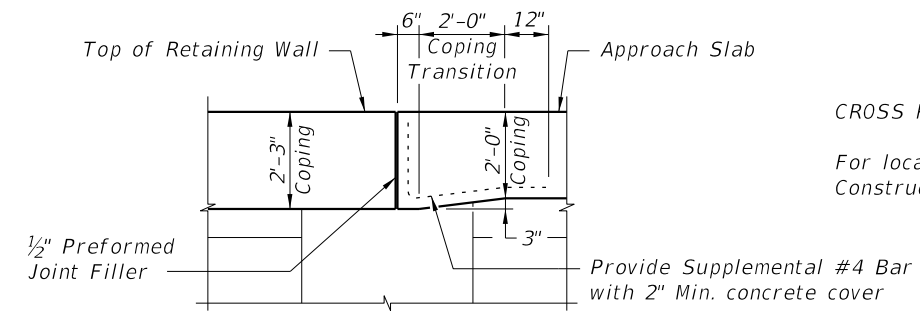
APPROACH SLAB WITH RETAINING WALL DETAILS



VIEW D-D AT BEGIN OR END BRIDGE (BEAM  
BRIDGE SHOWN, FLAT SLAB BRIDGE SIMILAR)



LONGITUDINAL CONSTRUCTION  
JOINT DETAIL



COPING TRANSITION DETAIL FOR  
RETAINING WALLS WITH 2'-3\"/>

CROSS REFERENCES:  
For location of Section B-B and Longitudinal Construction Joint see Sheet 1.

10/26/2017 8:35:19 AM

LAST REVISION 11/01/17	REVISION	DESCRIPTION:		FY 2018-19 STANDARD PLANS	APPROACH SLABS (30 FT.) (FLEXIBLE PAVEMENT APPROACHES)	INDEX 400-090	SHEET 2 of 2
---------------------------	----------	--------------	--	------------------------------	---	------------------	-----------------