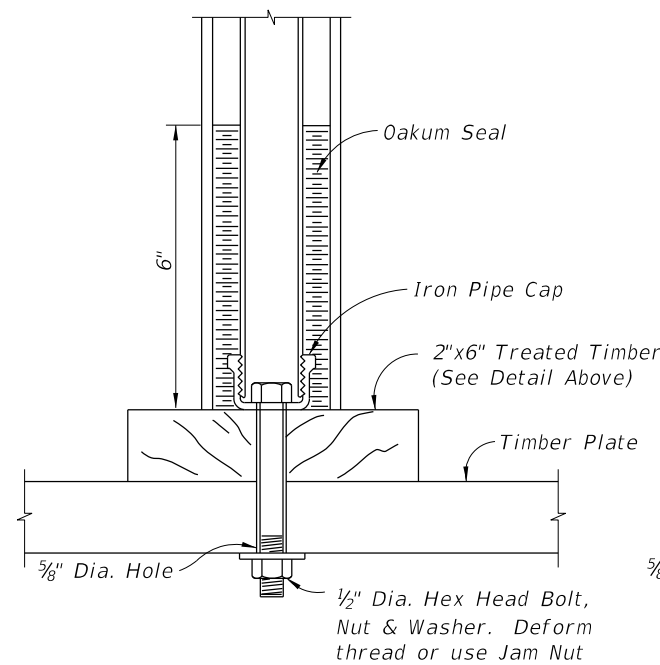
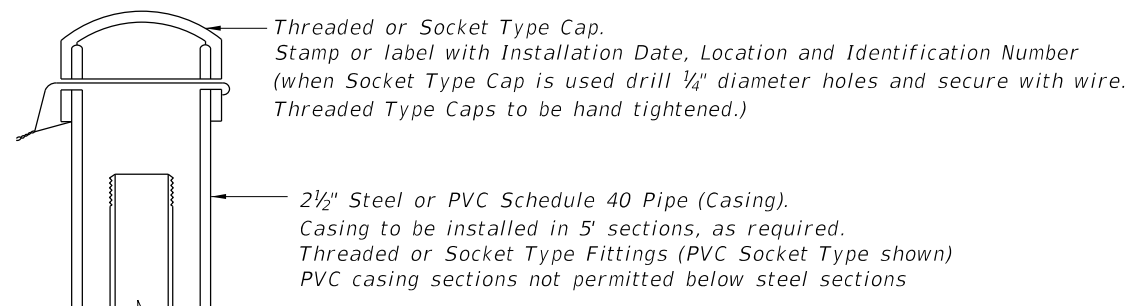


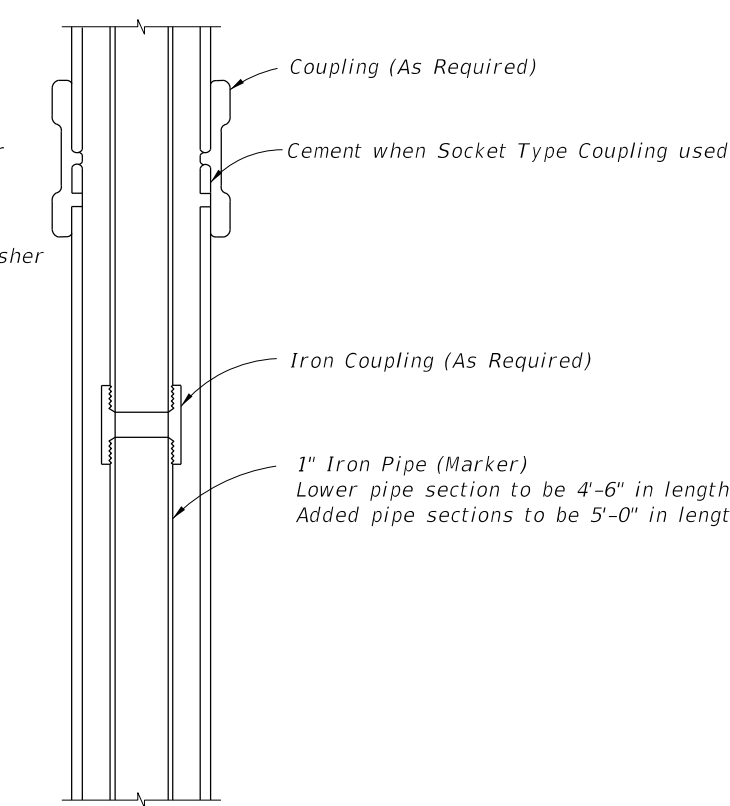
PLAN  
TIMBER PLATE



TIMBER PLATE



Threaded or Socket Type Cap.  
Stamp or label with Installation Date, Location and Identification Number  
(when Socket Type Cap is used drill 1/4" diameter holes and secure with wire.  
Threaded Type Caps to be hand tightened.)



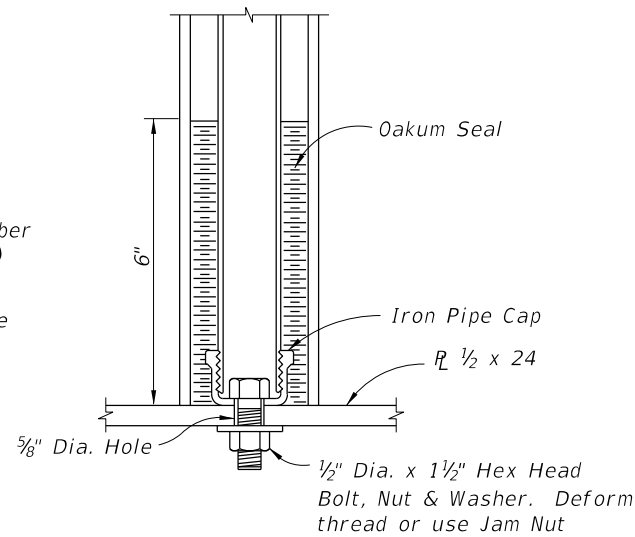
2 1/2" Steel or PVC Schedule 40 Pipe (Casing).  
Casing to be installed in 5' sections, as required.  
Threaded or Socket Type Fittings (PVC Socket Type shown)  
PVC casing sections not permitted below steel sections

Coupling (As Required)

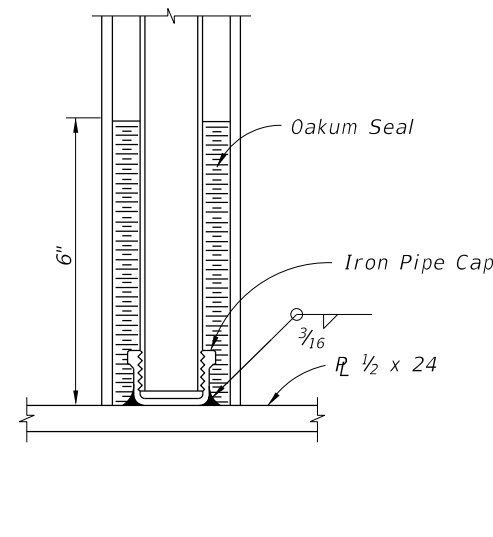
Cement when Socket Type Coupling used

Iron Coupling (As Required)

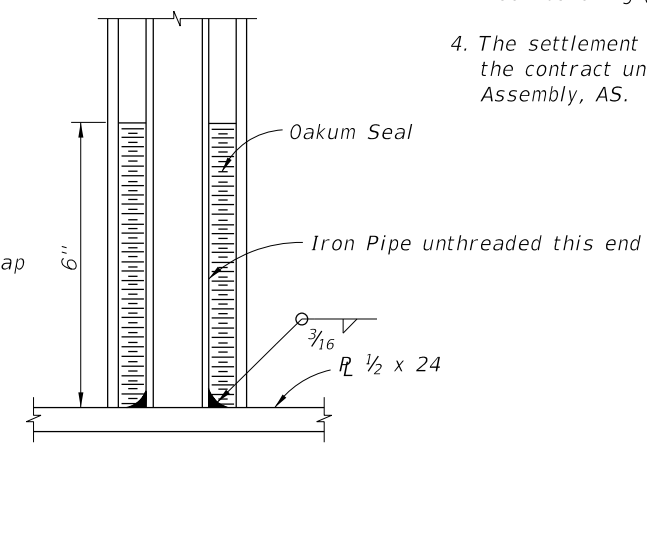
1" Iron Pipe (Marker)  
Lower pipe section to be 4'-6" in length  
Added pipe sections to be 5'-0" in length



STEEL PLATE

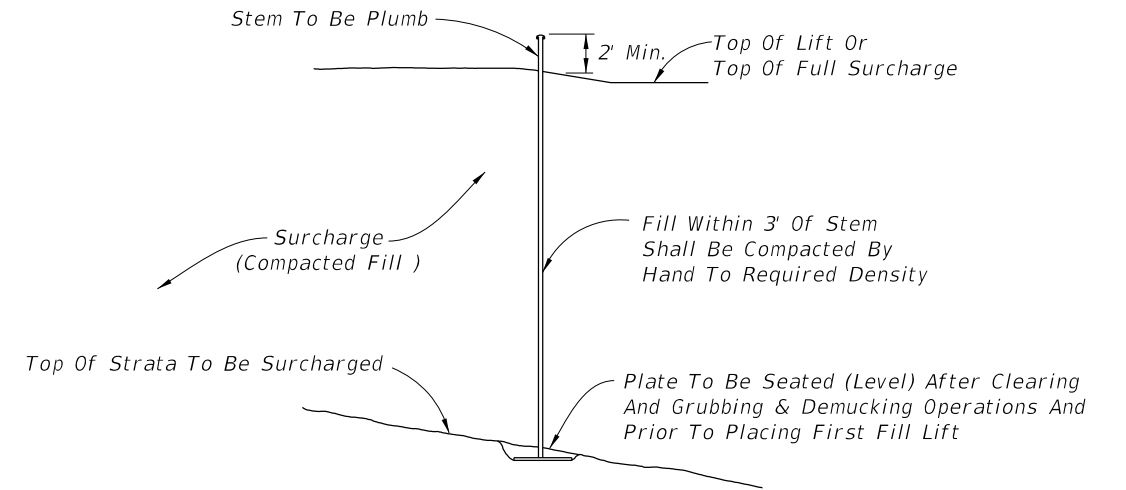


STEEL PLATE



STEEL PLATE

STEM AND PLATE OPTIONS



INSTALLATION

NOTES:

1. Elevation of the top of each length of marker pipe shall be determined as soon as it is installed and also immediately before the next length of marker pipe is added.
2. Settlement plate locations shall be flagged and protected from construction vehicles and equipment. If settlement plates are disturbed, they shall be replaced in kind.
3. Oakum used to construct seal should not have a mesh covering (plastic or other synthetic material).
4. The settlement plates shall be paid for under the contract unit price for Settlement Plate Assembly, AS.

10/26/2017 8:37:55 AM

LAST REVISION 01/01/00	REVISION	DESCRIPTION:
---------------------------	----------	--------------