

FIXED BEARING KEEPER BAR DETAIL

EXPANSION BEARING KEEPER BAR DETAIL

FIXED BEARING DETAILS

EXPANSION BEARING DETAILS

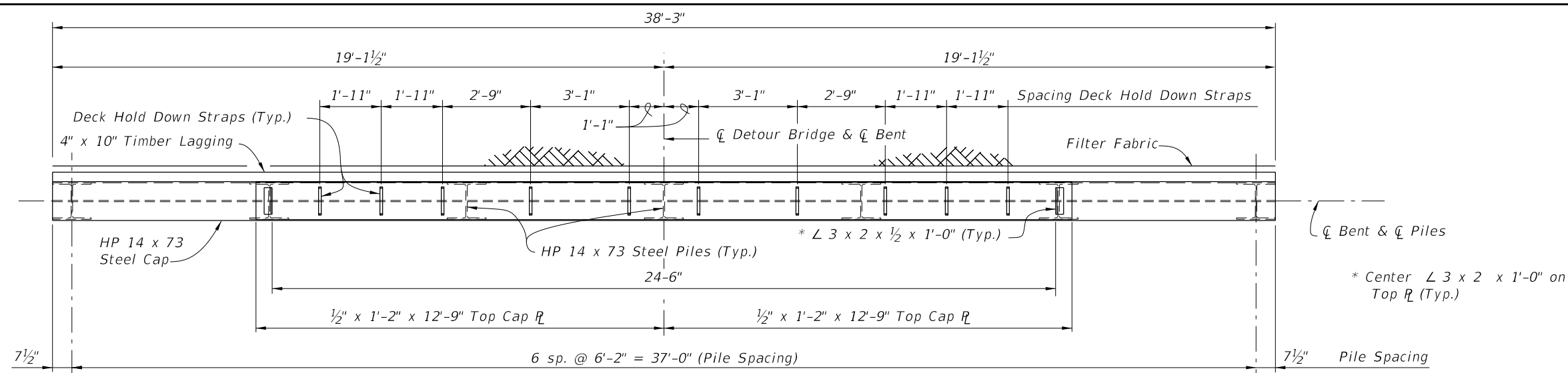
10/26/2017 8:39:24 AM

LAST REVISION 01/01/16	DESCRIPTION:
---------------------------	--------------

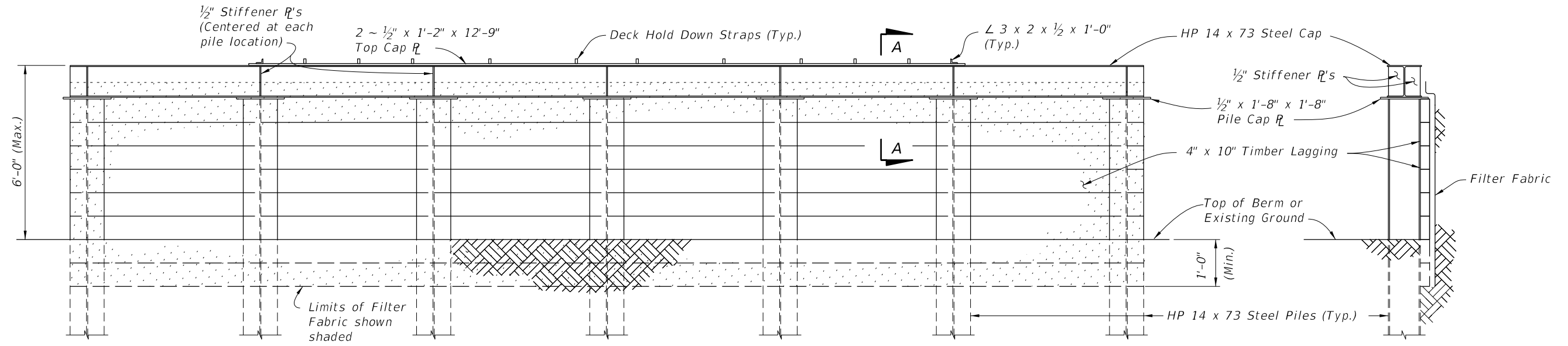


TEMPORARY DETOUR BRIDGE DETAILS  
STEEL H PILE FOUNDATIONS

INDEX 102-220	SHEET 1 of 2
------------------	-----------------

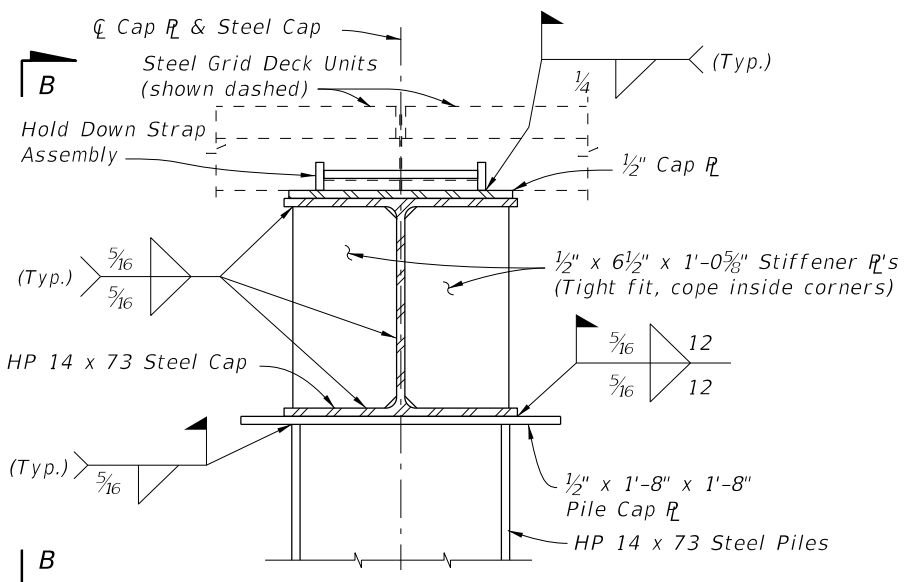


PLAN VIEW

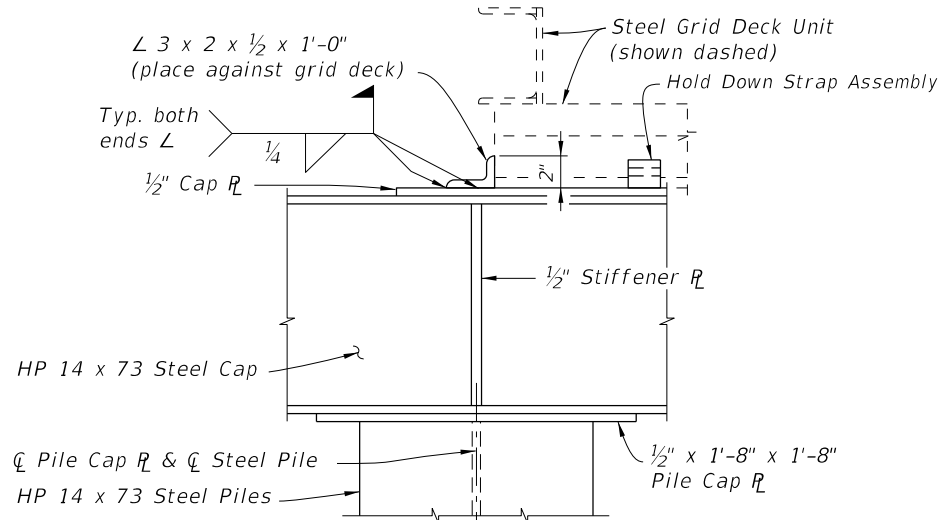


ELEVATION VIEW

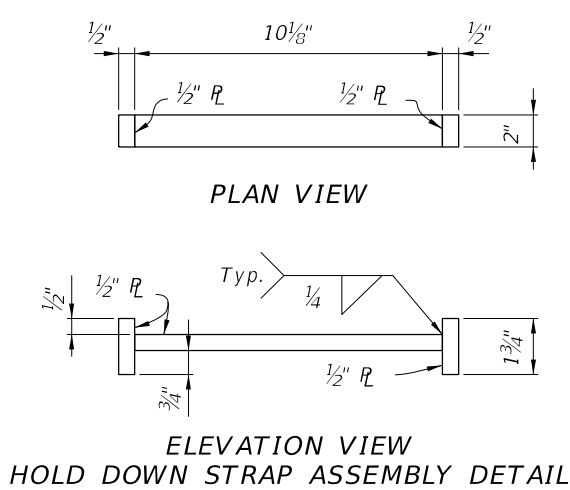
END VIEW



SECTION A-A  
(LAGGING NOT SHOWN FOR CLARITY)



VIEW B-B



BACKWALL BENT DETAILS

10/26/2017 8:39:25 AM

LAST REVISION 07/01/06	REVISION	DESCRIPTION:		FY 2018-19 STANDARD PLANS	TEMPORARY DETOUR BRIDGE DETAILS STEEL H PILE FOUNDATIONS	INDEX 102-220	SHEET 2 of 2
---------------------------	----------	--------------	--	------------------------------	---	------------------	-----------------