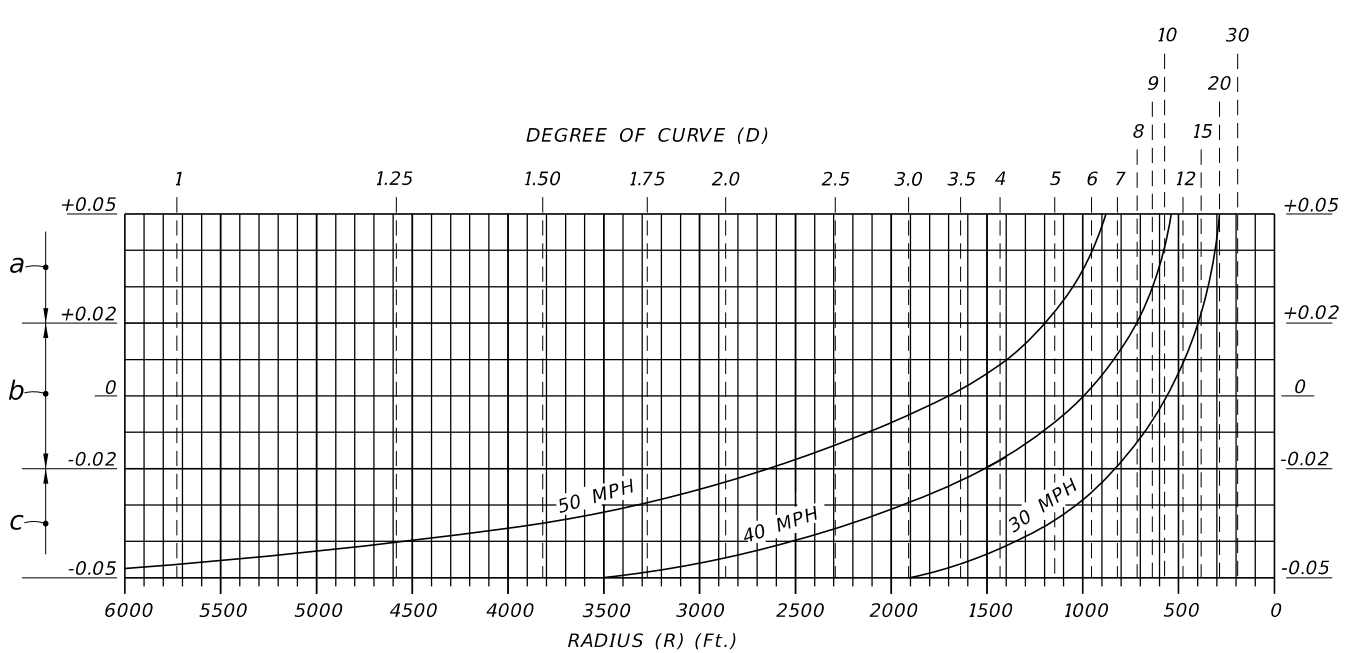


SUPERELEVATION RATES (e) FOR URBAN HIGHWAYS AND HIGH SPEED URBAN STREETS

$e_{max.} = 0.05$

| TABULATED VALUES | | | CHARTED VALUES | | | | |
|---------------------|------------------|----------------------|----------------|-------|-------|----------------------|--|
| Degree Of Curve (D) | Radius (R) (Ft.) | Design Speed (mph) | | | | | |
| | | 30 | 35 | 40 | 45 | 50 | |
| 2° 00' | 2,865 | NC | NC | NC | NC | NC | |
| 2° 15' | 2,546 | | | | | RC | |
| 2° 45' | 2,083 | | | | NC | | |
| 3° 00' | 1,910 | | | | RC | | |
| 3° 45' | 1,528 | | | NC | | | |
| 4° 00' | 1,432 | | | RC | | | |
| 4° 45' | 1,206 | | | | | RC | |
| 5° 00' | 1,146 | | NC | | | 0.023 | |
| 5° 15' | 1,091 | | RC | | | 0.027 | |
| 5° 30' | 1,042 | | | | | 0.030 | |
| 5° 45' | 996 | | | | | 0.035 | |
| 6° 00' | 955 | | | | RC | 0.040 | |
| 6° 15' | 917 | | | | 0.022 | 0.045 | |
| 6° 30' | 881 | | | | 0.024 | 0.050 | |
| 6° 45' | 849 | | | | 0.027 | $D_{max.} = 6° 30'$ | |
| 7° 00' | 819 | NC | | | | 0.030 | |
| 7° 15' | 790 | RC | | | | 0.033 | |
| 7° 30' | 764 | | | | | 0.037 | |
| 7° 45' | 739 | | | | | 0.041 | |
| 8° 00' | 716 | | | RC | | 0.045 | |
| 8° 15' | 694 | | | 0.022 | | 0.050 | |
| 8° 30' | 674 | | | 0.025 | | $D_{max.} = 8° 15'$ | |
| 8° 45' | 655 | | | 0.027 | | | |
| 9° 00' | 637 | | | 0.030 | | | |
| 9° 30' | 603 | | | 0.034 | | | |
| 10° 00' | 573 | | | 0.040 | | | |
| 10° 30' | 546 | | RC | | | 0.047 | |
| 11° 00' | 521 | | 0.023 | | | $D_{max.} = 10° 45'$ | |
| 11° 30' | 498 | | 0.026 | | | | |
| 12° 00' | 477 | | 0.030 | | | | |
| 13° 00' | 441 | | 0.036 | | | | |
| 14° 00' | 409 | RC | | 0.045 | | | |
| 15° 00' | 382 | 0.023 | | | | $D_{max.} = 14° 15'$ | |
| 16° 00' | 358 | 0.027 | | | | | |
| 17° 00' | 337 | 0.032 | | | | | |
| 18° 00' | 318 | 0.038 | | | | | |
| 19° 00' | 302 | 0.043 | | | | | |
| 20° 00' | 286 | 0.050 | | | | | |
| | | $D_{max.} = 20° 00'$ | | | | | |

| |
|---|
| NC = Normal Crown |
| RC = Reverse Crown (+0.02 Superelevation) |



- a: When the speed curves and the degree of curve or radius lines intersect above this line, the pavement is to be superelevated (positive slope) at the rates indicated at the lines intersecting points.
- b: When the speed curves and the degree of curve or radius lines intersect between these limits, the pavement is to be superelevated at the rate of 0.02 (positive slope).
- c: When the speed curves and the degree of curve or radius lines intersect below this line. The pavement is to have normal crown (typically 0.02 and 0.03 downward slopes).

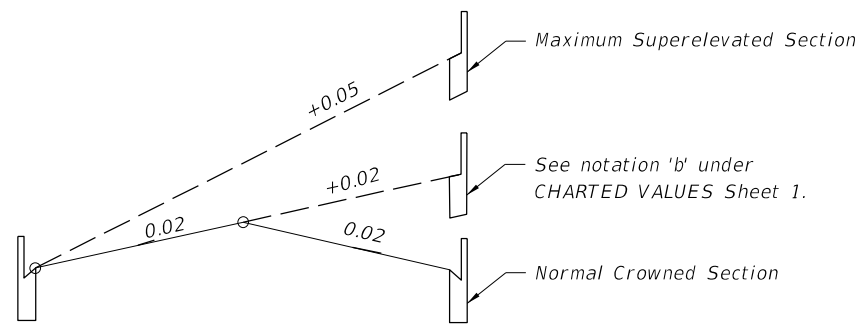
GENERAL NOTES

1. Maximum rate of superelevation for urban highways and high speed urban streets shall be 0.05.
2. Superelevation shall be obtained by rotating the plane successively about the break points of the section until the plane has attained a slope equal to that required by the chart. Should the rotation traverse the entire section and further superelevation be required, the remaining rotation of the plane shall be about the low edge of the inside travel lane. Crown is to be removed in the auxiliary lane to the outside of the curve only when the adjoining travel lanes require positive superelevation.
3. When positive superelevation is required, the slope of the gutter on the high side shall be a continuation of the slope of the superelevated pavement.
4. In construction, short vertical curves shall be placed at all angular profile breaks within the limits of the superelevation transition.
5. The variable superelevation transition length "L" shall have a minimum value of 50 feet for design speeds under 40 MPH and 75 feet for design speeds of 40 MPH or greater.
6. Roadway sections having lane arrangements different from those shown, but composed of a series of planes, shall be superelevated in a similar manner.
7. For superelevation of lower speed urban streets, see the FDOT 'Manual Of Uniform Minimum Standards For Design, Construction And Maintenance For Streets And Highways'. For superelevation of curves on rural highways, urban freeways and high speed urban highways, see Index 000-510.

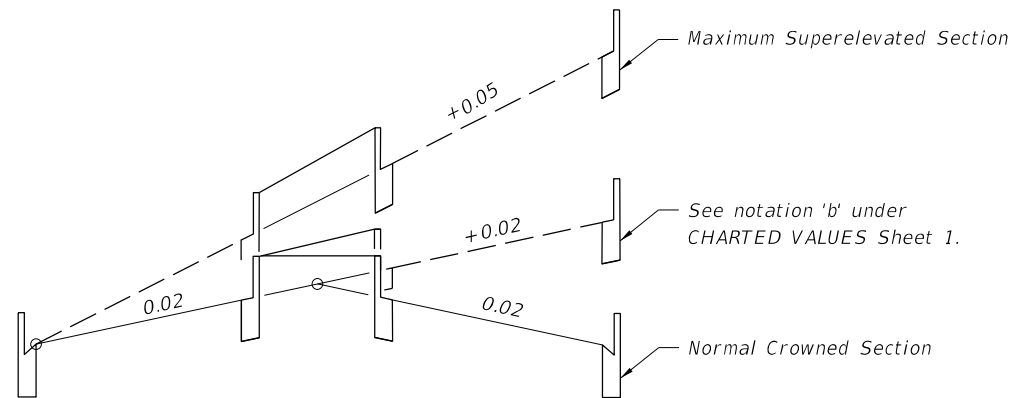
$e_{max.} = 0.05$

SUPERELEVATION FOR URBAN HIGHWAYS AND HIGH SPEED URBAN STREETS

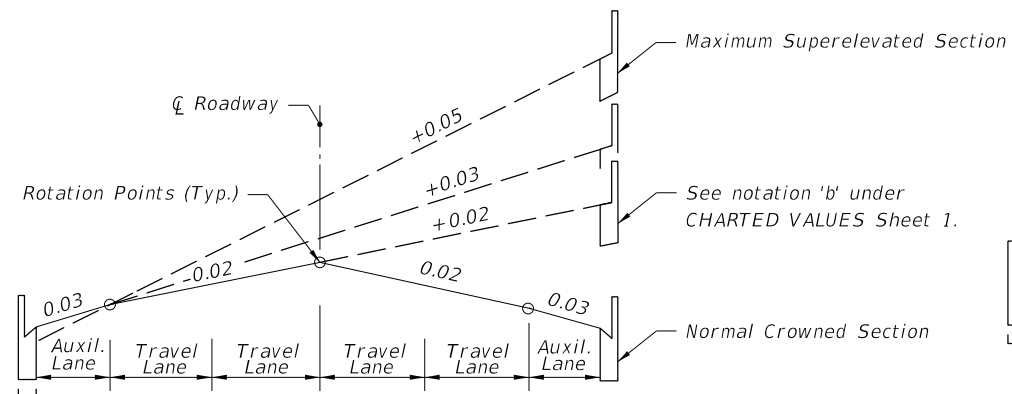
10/23/2017 3:36:28 PM



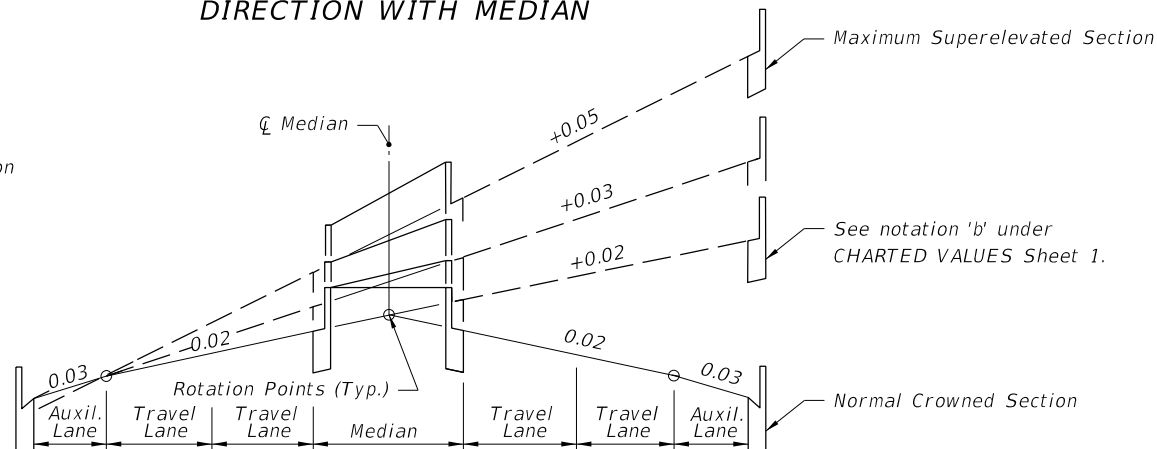
TWO TRAVEL LANES EACH DIRECTION



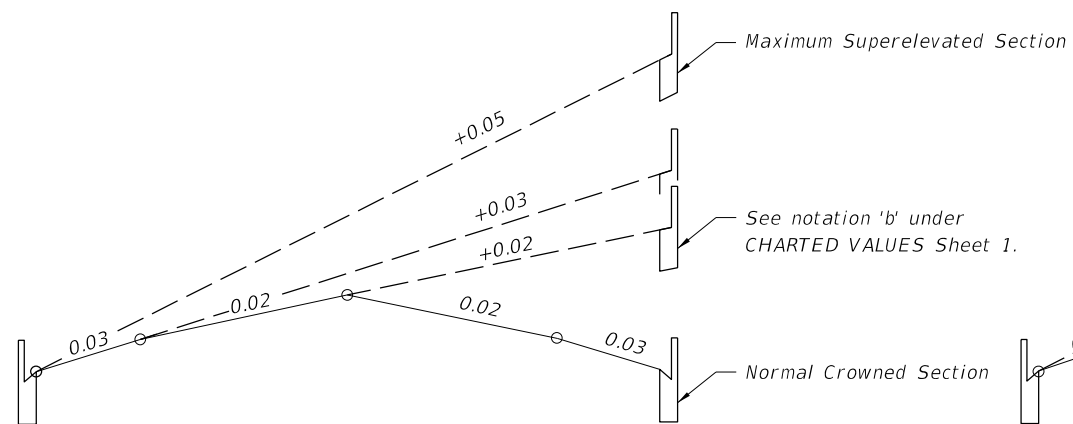
TWO TRAVEL LANES EACH DIRECTION WITH MEDIAN



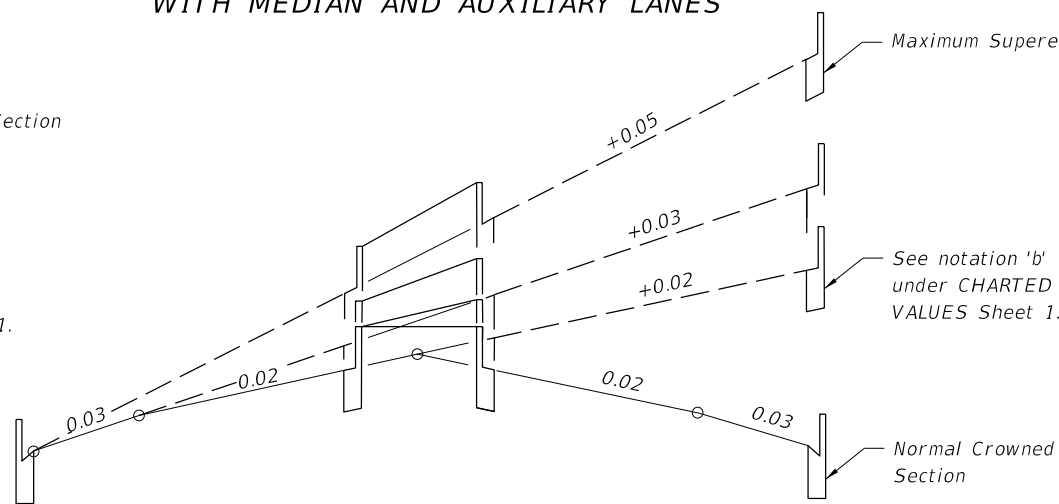
TWO TRAVEL LANES EACH DIRECTION WITH AUXILIARY LANES



TWO TRAVEL LANES EACH DIRECTION WITH MEDIAN AND AUXILIARY LANES

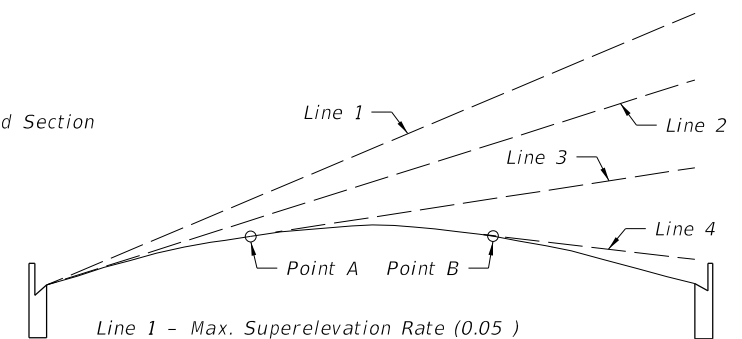


UNDIVIDED FACILITIES



DIVIDED FACILITIES

THREE TRAVEL LANES EACH DIRECTION WITH MEDIAN



- Line 1 - Max. Superelevation Rate (0.05)
- Line 2 - Slope Of Parabola At Inside Edge Of Pavt.
- Line 3 - Positive Superelevation Rate Less Than Max. Slope Of Parabola.
- Line 4 - Adverse Superelevation.

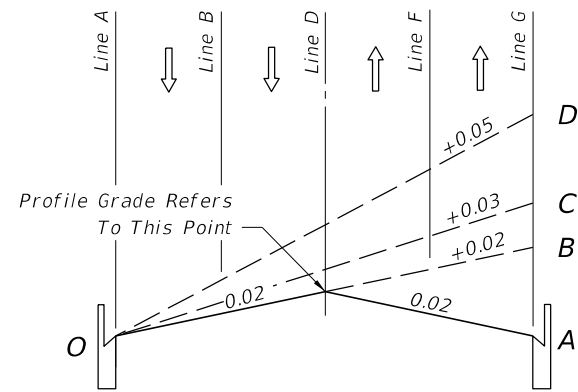
Superelevation rates obtained from the chart or table on Sheet 1 are also applicable to a parabolic crown section. When this section is used, superelevation is established by rotating a tangent about the arc of the parabolic crown until the desired slope is attained (points A & B on sketch). The normal parabolic crown will be maintained outside the limits of the plane thus formed.

PARABOLIC SECTION

SUPERELEVATION TRANSITION SECTIONS FOR URBAN HIGHWAYS AND HIGH SPEED URBAN STREETS

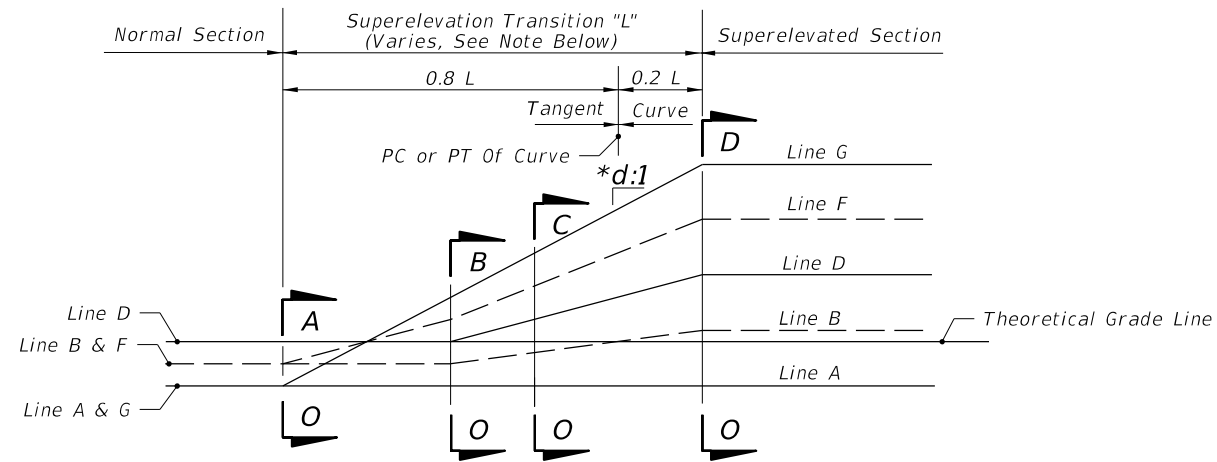
10/23/2017 3:36:29 PM

| | | | | | | | |
|---------------------------|----------|--------------|--|------------------------------|-------------------------------------|------------------|-----------------|
| LAST REVISION 11/01/17 | REVISION | DESCRIPTION: | | FY 2018-19 STANDARD PLANS | SUPERELEVATION - LOW SPEED HIGHWAYS | INDEX 000-511 | SHEET 2 of 3 |
|---------------------------|----------|--------------|--|------------------------------|-------------------------------------|------------------|-----------------|



SECTION 0-A to 0-D

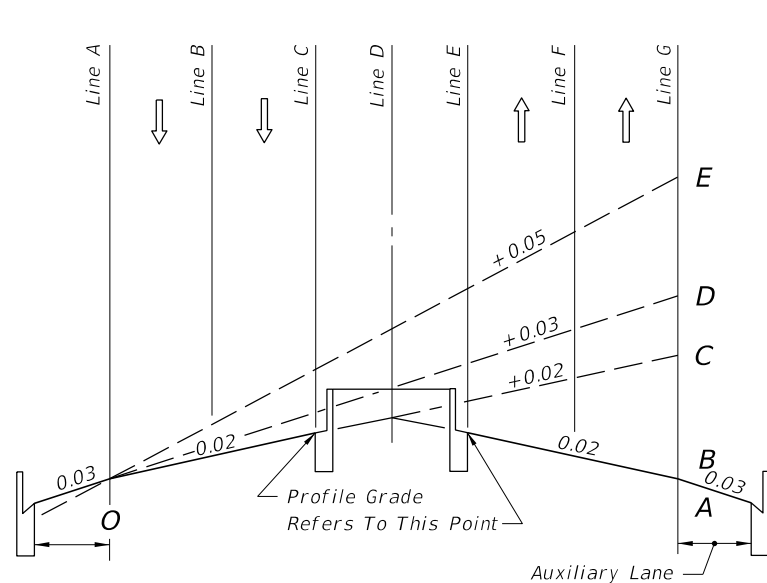
TWO LANES EACH DIRECTION



PROFILE

| LINE | DESCRIPTION |
|------|------------------------------|
| A | Inside Travel Lane |
| B | Inside Lane Line |
| C | Inside Median Edge Pavement |
| D | ℄ Construction |
| E | Outside Median Edge Pavement |
| F | Outside Lane Line |
| G | Outside Travel Lane |

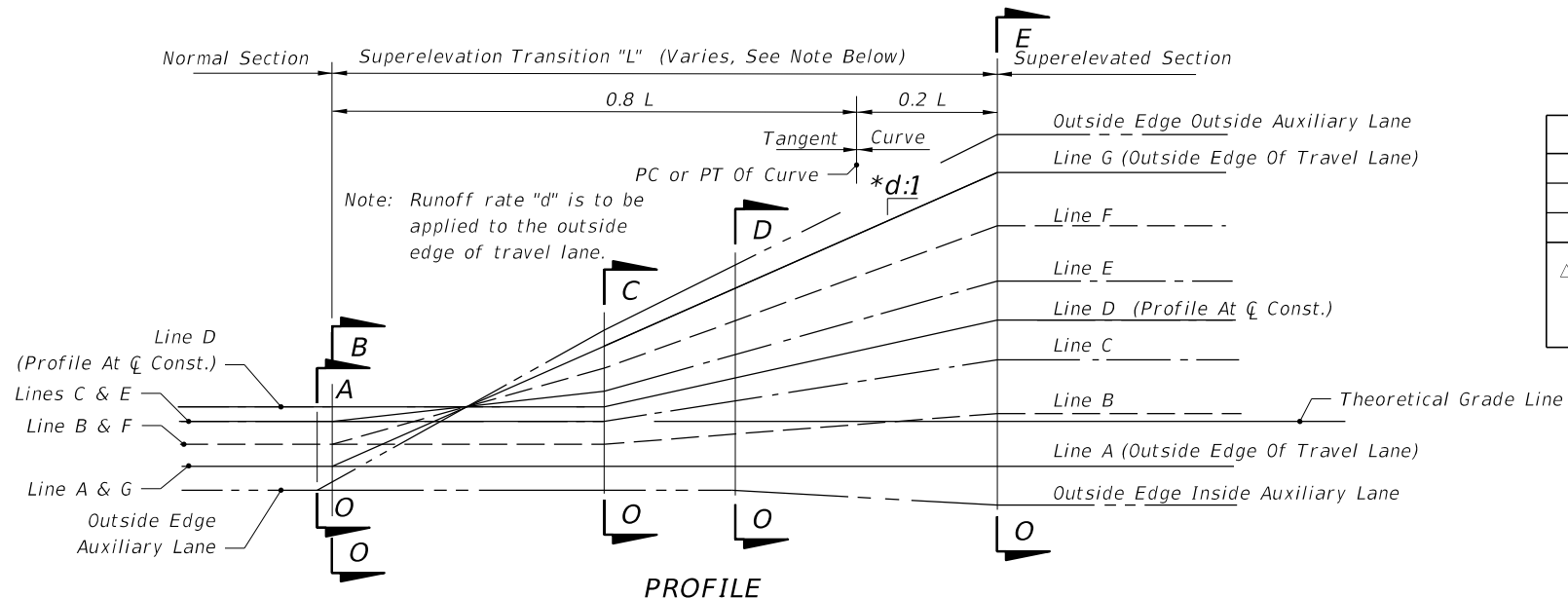
Inside And Outside Are Relative To Curve Center



SECTION 0-A to 0-E

TWO LANES EACH DIRECTION WITH MEDIAN AND AUXILIARY LANE

Note:
The sections and profiles shown are examples of superelevation transitions.
Similar schemes should be used for roadways having other sections.



PROFILE

| *d (Slope Ratio) | |
|------------------|--------|
| 30 MPH | 1: 100 |
| 40 MPH | 1: 125 |
| 45-50 MPH Δ | 1: 150 |

Δ 1: 125 May Be Used For 45 MPH Under Restricted Conditions.

EXAMPLE SUPERELEVATION SECTIONS AND PROFILES
FOR URBAN HIGHWAYS AND HIGH SPEED URBAN STREETS

10/23/2017 3:36:29 PM

| LAST REVISION | DESCRIPTION: |
|---------------|--------------|
| 11/01/17 | |