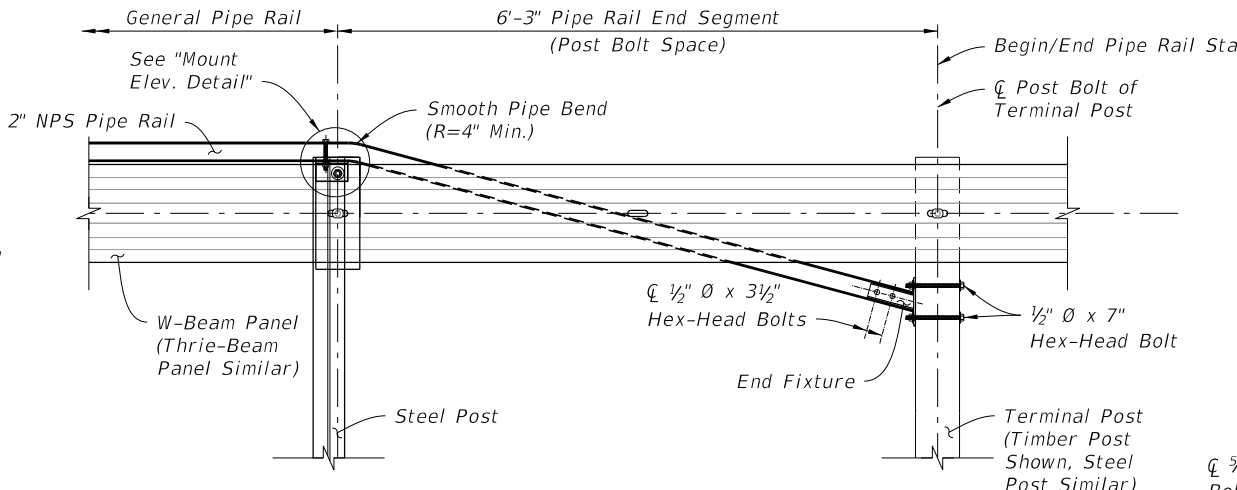
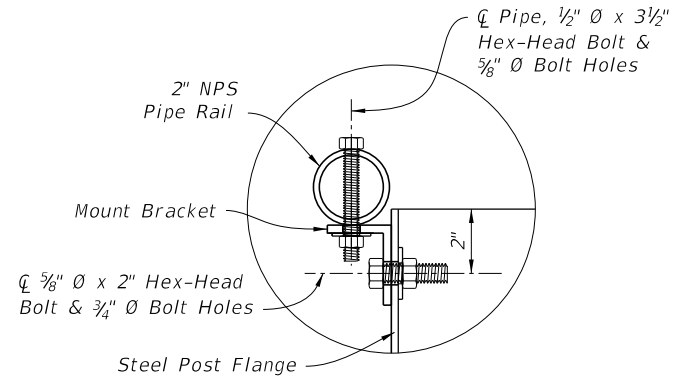


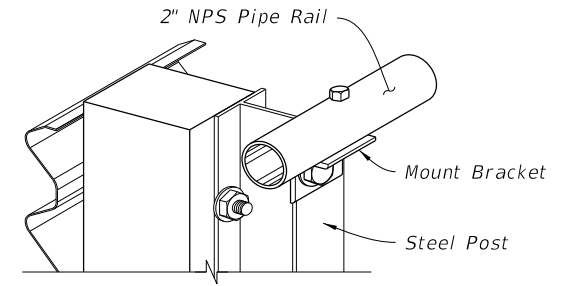
GENERAL PIPE RAIL SECTION



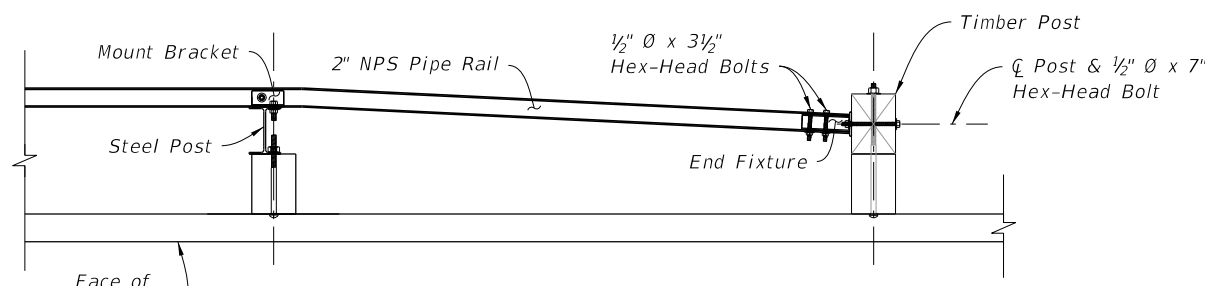
PIPE RAIL INSTALLED ELEVATION (End Segment Shown)



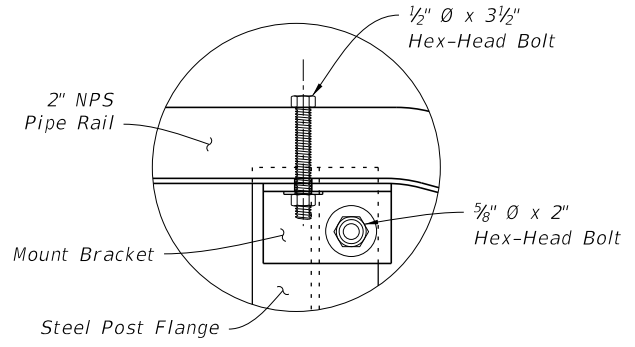
MOUNT SECTION DETAIL



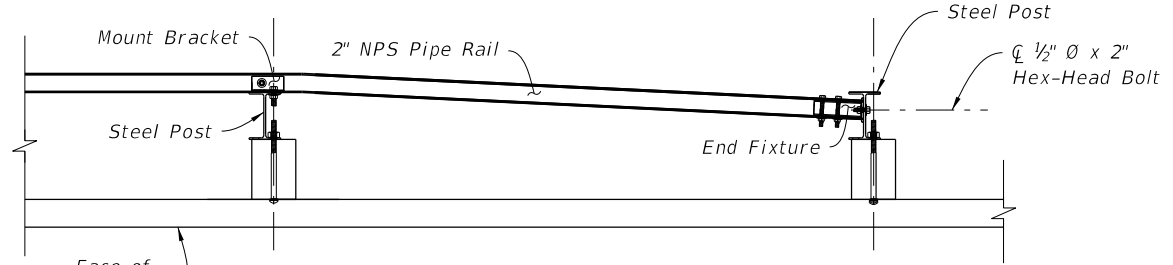
MOUNT ISOMETRIC CUT-AWAY



PIPE RAIL INSTALLED PLAN END AT TIMBER POST OPTION

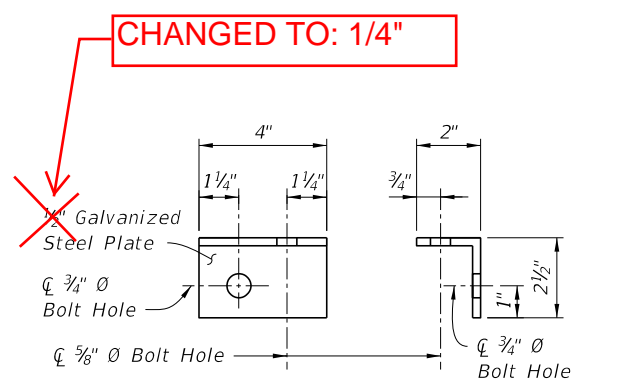


MOUNT ELEVATION DETAIL (Back View - Mirrored)

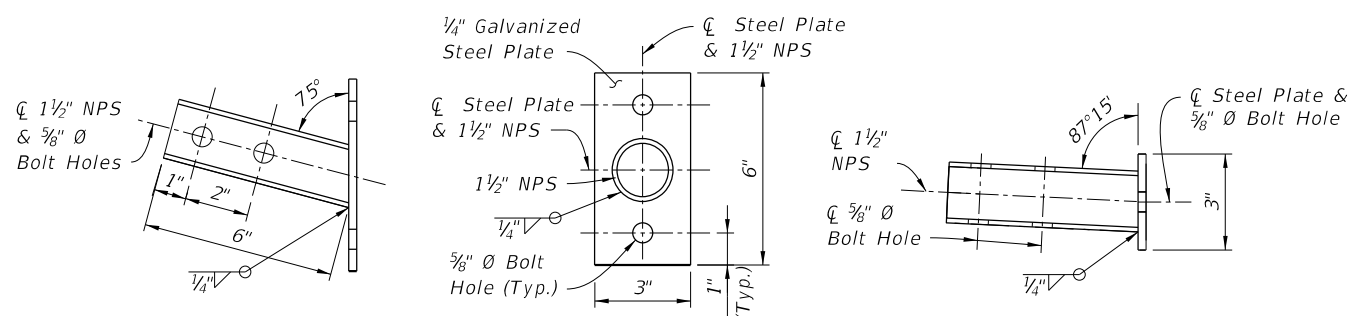


PIPE RAIL INSTALLED PLAN END AT STEEL POST OPTION

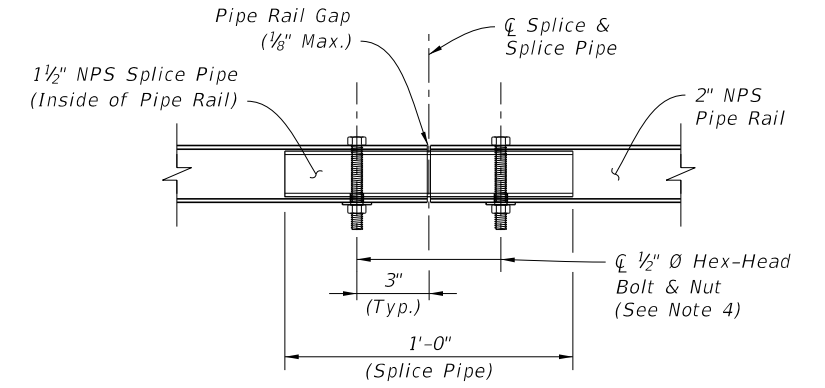
- NOTES:**
1. GENERAL: Install General Pipe Rail where indicated in the plans or when existing sidewalks or shared use paths are located less than 4'-0" from the back of Steel Posts as shown on Sheet 6.
 2. PIPE RAIL END SEGMENTS: Place End Segments on both ends of General Pipe Rail runs, with End Fixtures mounted to Terminal Posts located outside of Approach Terminal Assembly ('LE'), Trailing Anchorage Assembly ('LT'), and Approach Transition ('LA') segments.
 3. MATERIALS: Use steel brackets, fixtures, and pipes in accordance with Specification Section 967.
 4. RAIL SPLICES: Install Rail Splices to join pieces of 2" NPS Pipe Rail into a continuous system. Place splices as needed, at a spacing of 18'-0" or greater. Orient the head of bolt on the top of the pipe.



MOUNT BRACKET DETAIL



END FIXTURE DETAIL



RAIL SPLICE DETAIL

PEDESTRIAN SAFETY TREATMENT - PIPE RAIL

11/16/2017 1:56:45 PM

LAST REVISION 11/01/17	DESCRIPTION:	 FY 2018-19 STANDARD PLANS	GUARDRAIL	INDEX 536-001	SHEET 20 of 22
---------------------------	--------------	----------------------------------	-----------	------------------	-------------------