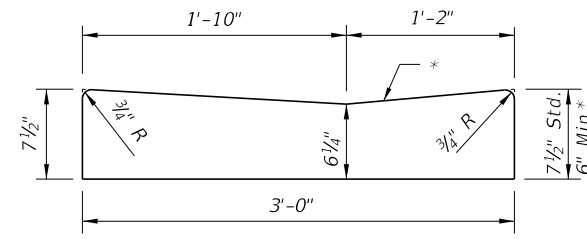
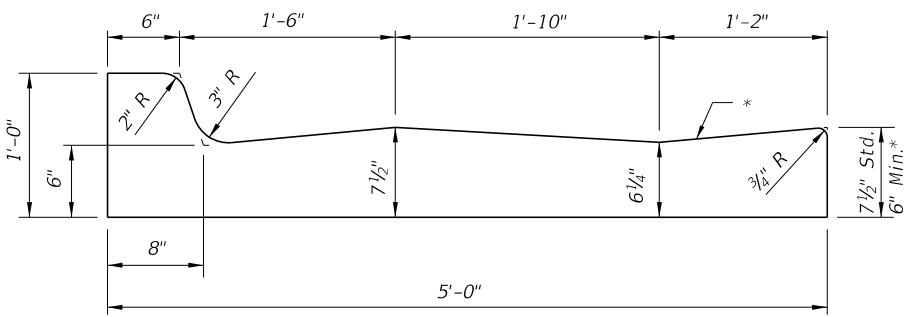


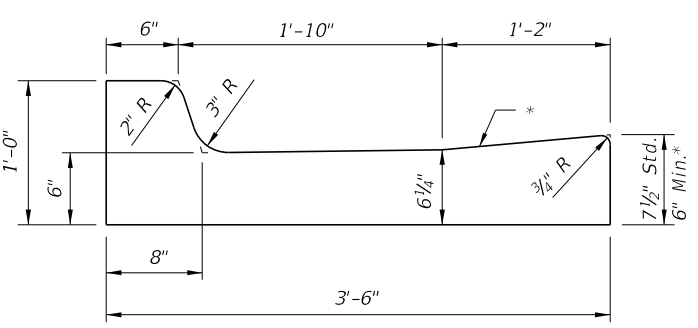
PLAN



SECTION AA



SECTION BB



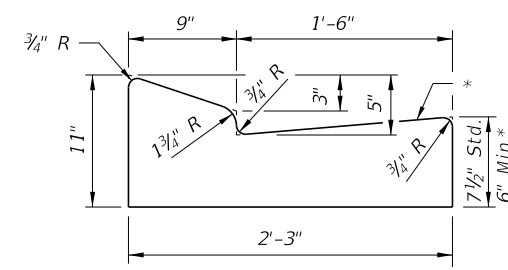
SECTION CC

VALLEY GUTTER

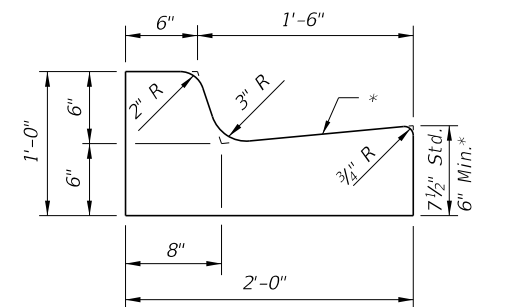
* When used on high side of roadways, the cross slope of the gutter shall match the cross slope of the adjacent pavement. The thickness of the lip shall be 6", unless otherwise shown on plans.

▣ Rotate entire section so that gutter cross slope matches slope of adjacent circulating roadway pavement.

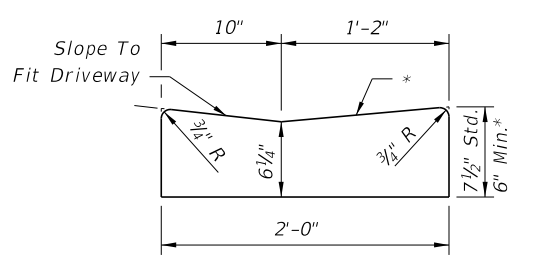
For use adjacent to concrete or flexible pavement. For details depicting usage adjacent to flexible pavement, see Sheet 2. Expansion joint, preformed joint filler and joint seal are required between curb & gutter and concrete pavement only, see Sheet 2.



TYPE E

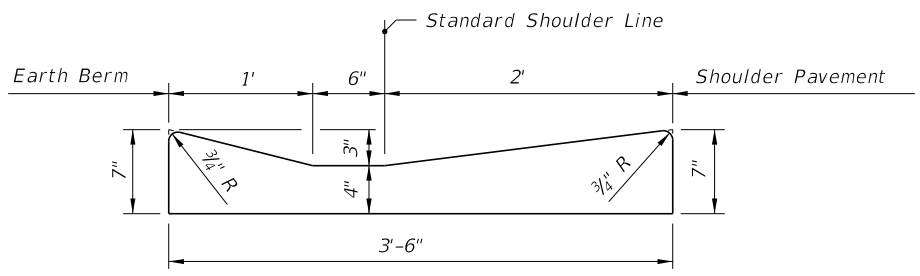


TYPE F

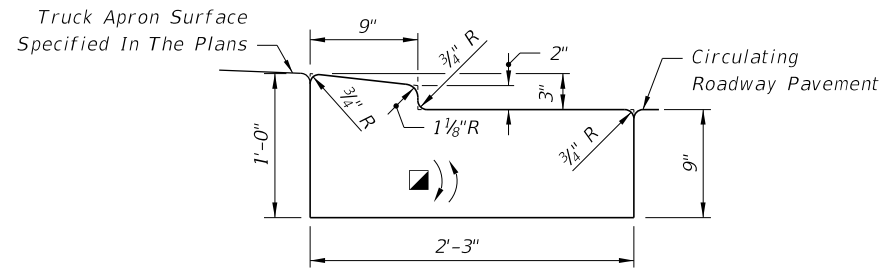


DROP CURB

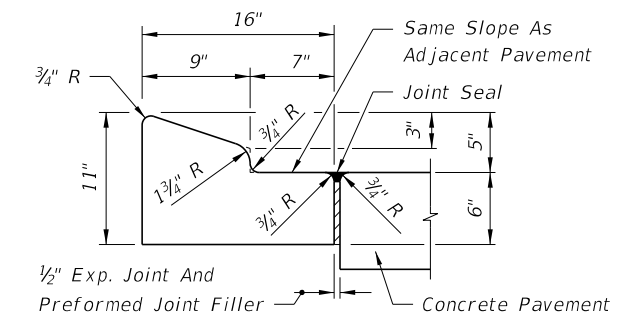
Note: To be paid for as parent curb.



SHOULDER GUTTER

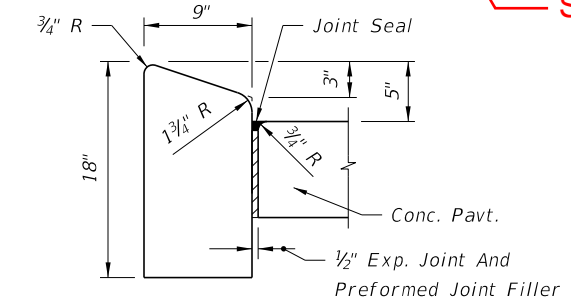


TRAFFIC BEARING SECTION FOR USE IN ROUNDABOUT CENTRAL ISLAND CONSTRUCTION TYPE RA

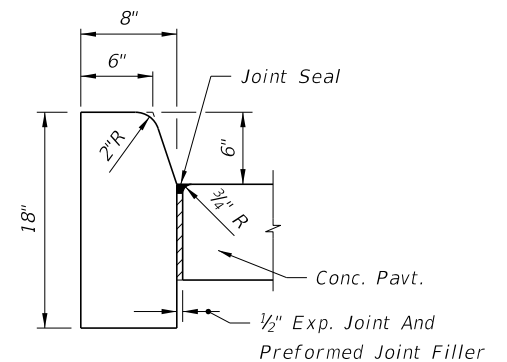


TYPE A

For details depicting usage adjacent to flexible pavement, see diagram right.



TYPE B



TYPE D

Note: For use adjacent to concrete or flexible pavement, concrete shown. Expansion joint, preformed joint filler and joint seal are required between curbs and concrete pavement only, see Sheet 2.

CONCRETE CURB

CONCRETE CURB AND GUTTER

10/16/2017 9:42:32 AM

LAST REVISION 11/01/17	DESCRIPTION:
---------------------------	--------------

**FY 2018-19
STANDARD PLANS**

CURB AND GUTTER

INDEX 520-001	SHEET 1 of 2
------------------	-----------------