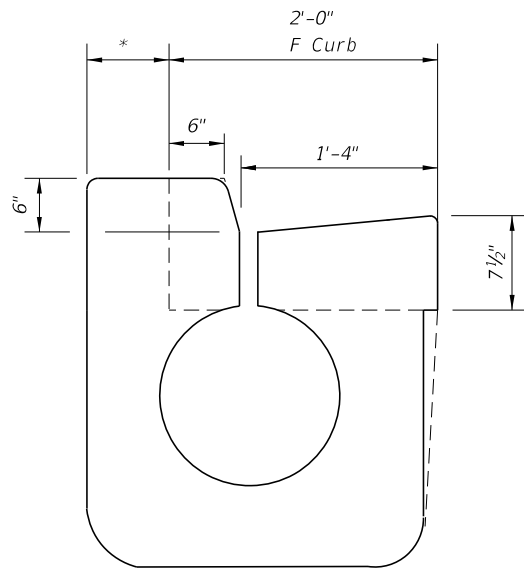
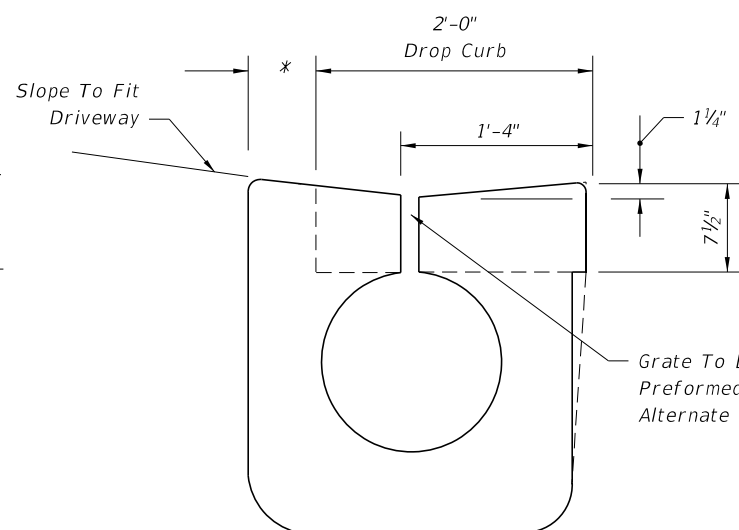


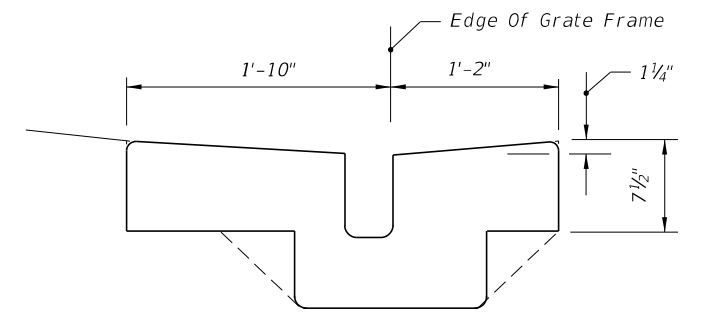
WITHIN TYPE E CURB



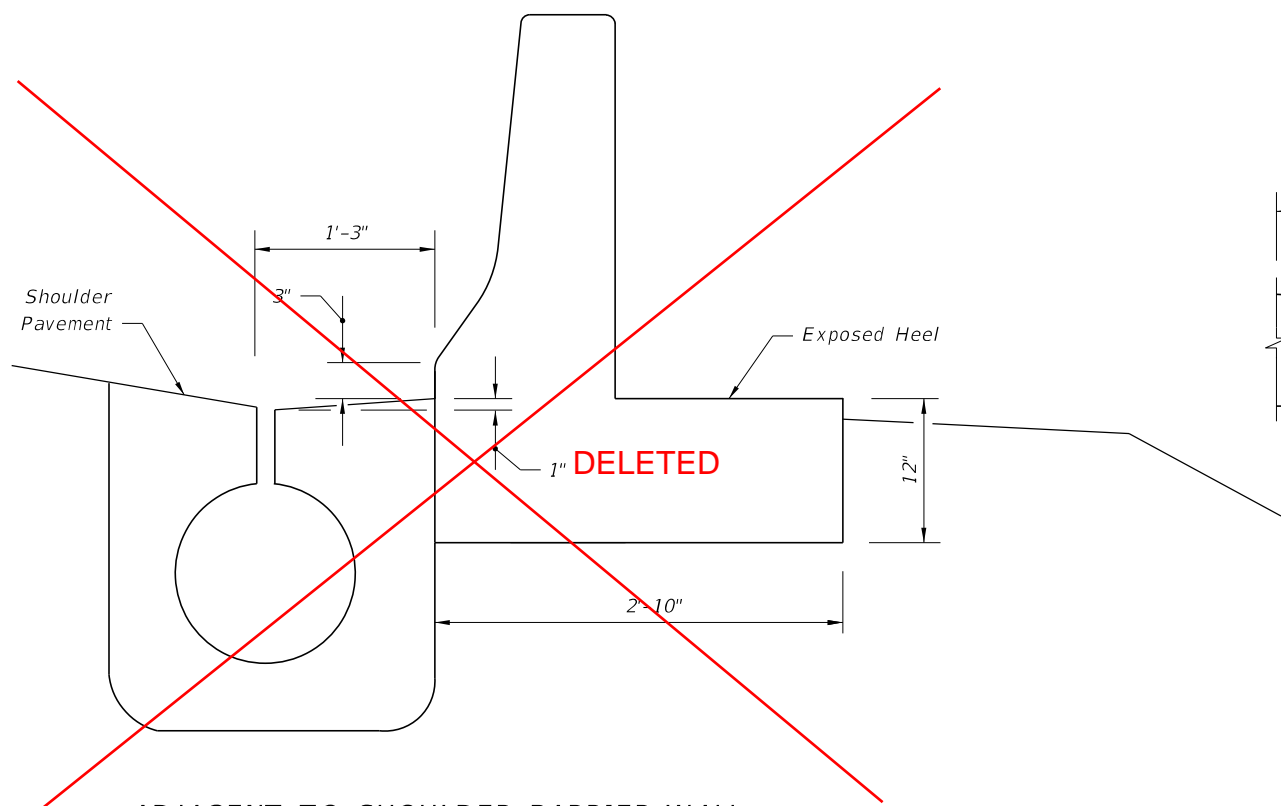
WITHIN TYPE F CURB



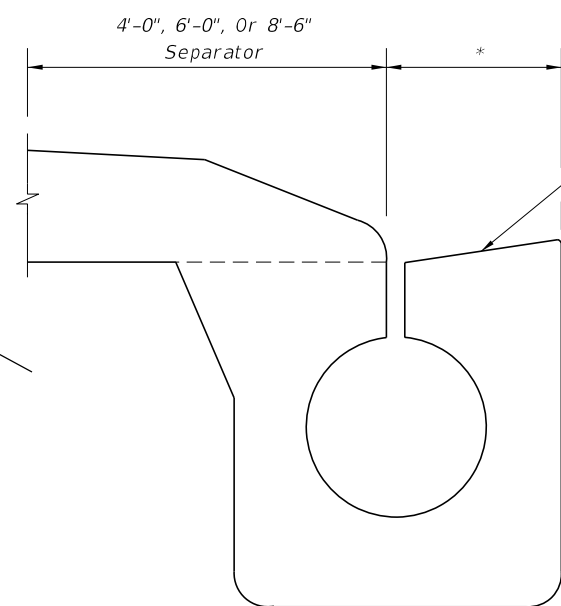
WITHIN DROP CURB



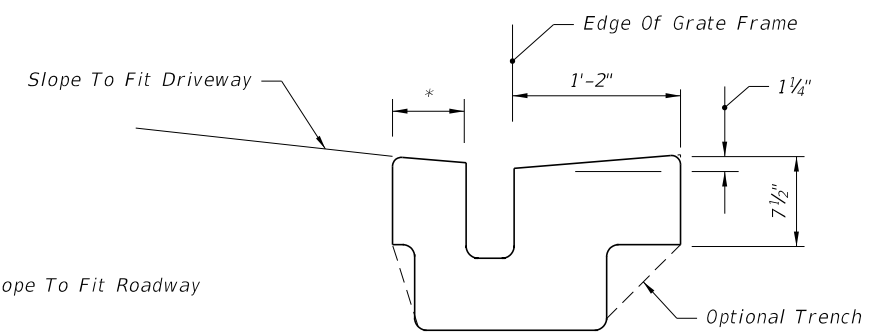
WITHIN VALLEY GUTTER



ADJACENT TO SHOULDER BARRIER WALL



ADJACENT TO TRAFFIC SEPARATOR



WITHIN DROP CURB
TYPICAL LOCATIONS FOR TYPE II

* As Necessary To Provide 6" Of Concrete
On This Side Of Drain

ROUND PIPE ALTERNATE SHOWN, BUT PREFORMED POLYETHYLENE ALTERNATE ACCEPTABLE

TYPICAL LOCATIONS FOR TYPE I

10/16/2017 9:30:31 AM

LAST REVISION 11/01/17	DESCRIPTION:	 FY 2018-19 STANDARD PLANS	TRENCH DRAIN	INDEX 436-001	SHEET 2 of 2
---------------------------	--------------	--	--------------	------------------	-----------------