



Florida Department of Transportation

RON DESANTIS
GOVERNOR

1074 Hwy 90
Chipley, Florida 32428

JARED PERDUE, P.E.
SECRETARY

June 19, 2024

ADDENDUM NO. 1

To: ALL PROPOSAL HOLDERS
FINANCIAL ITEM NUMBER: 45103115201
CONTRACT NUMBER: E3X08

DESCRIPTION: The Improvements under this District Contract consist of SR 83 over Choctawatchee Bay Bridge No. 600108 bridge deck cleaning & sealing and fender system H-Pile cleaning and coating and other incidental work in Walton County.

BIDS TO BE RECEIVED: July 11, 2024

If you are a PROPOSAL HOLDER, this is your authorization to make the following changes to the plans and specification packages you now have for the subject project:

THE FOLLOWING REVISIONS HAVE BEEN MADE AND PLACED ON THE CONTRACTOR'S PROPOSAL WEBSITE (CPP) FOR YOUR USE:

- **E3X08-CADD-REV01**
- **E3X08-PLANS-08-STRUCTURES-REV01**

Please use this revision when preparing your bid.

Electronic/Sealed bids will be received until 10:00 a.m. local time on July 11, 2024 in the District Three Procurement Office located at 1074 HWY 90 Chipley, Florida 32428.

AMENDMENT NOTIFICATION

If you are a PROPOSAL HOLDER, please go to the CPP Online Ordering System to download Amendment No. 1, file E3X08.001, Addendum No. 1, CADD-R3V01 File and Addendum No. 1 Revisions.

Also, all PROPOSAL HOLDERS please acknowledge receipt of the addendum under the Acknowledgement of Amendments tab on your electronic bid. If you have any further questions, please contact Roland Ybarra by phone at (850) 330-1364 or by email at roland.ybarra@dot.state.fl.us.

Sincerely,

Ranae
Dodson

Digitally signed by Ranae Dodson
DN: CN = Ranae Dodson email =
ranae.dodson@dot.state.fl.us C =
US O = FDOT OU = Procurement
Date: 2024.06.19 11:52:11 -0500

Ranae Dodson
District Procurement Manager

RD:ry

c.c. Bobby Ellis, Heath Riley, Justin Strickland, file

STATE OF FLORIDA
DEPARTMENT OF TRANSPORTATION

STRUCTURE PLANS

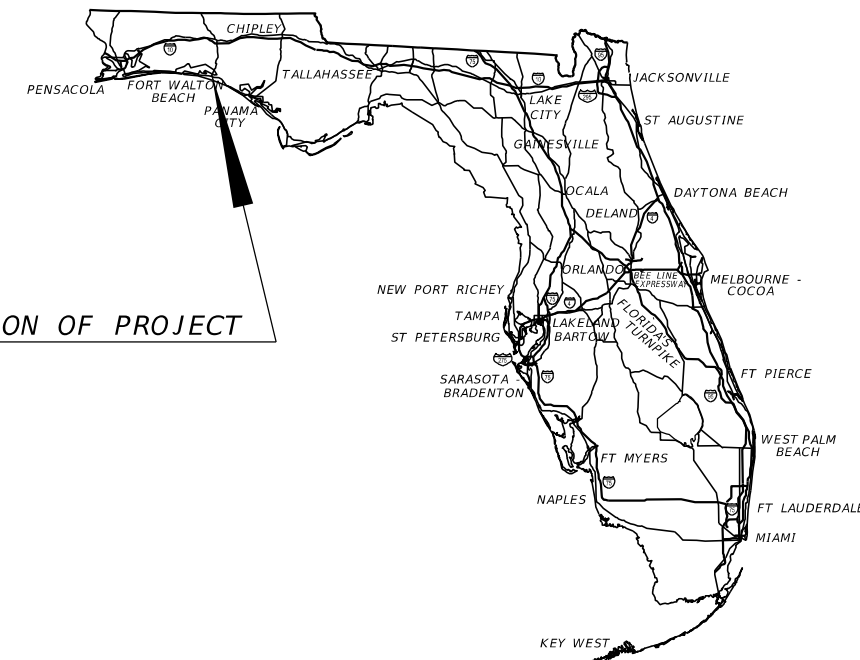
FINANCIAL PROJECT ID 451031-1-52-01

WALTON COUNTY (60040)

STATE ROAD NO. 83 (US 331 S)

DECK SEALING OVER CHOCTAWHATCHEE BAY BRIDGE NO. 600108

LOCATION OF PROJECT



CONTRACT PLANS COMPONENTS

STRUCTURE PLANS

INDEX OF STRUCTURE PLANS

SHEET NO.	SHEET DESCRIPTION
B-1	KEY SHEET
B-2, B-2A ¹	SIGNATURE SHEET
B-3	GENERAL NOTES
B1-1 TO B1-5	PLAN
B1-6 TO B1-8	TEMPORARY TRAFFIC CONTROL PLAN
B1-9 TO B1-11	FENDER SYSTEM REPAIRS

INDEX OF EXISTING PLANS

SHEET NO.	SHEET DESCRIPTION
BX-1 THRU BX-79	EXISTING BRIDGE PLANS

PROJECT LOCATION URL: <https://tinyurl.com/yc4y9zv5>
 PROJECT LIMITS: BEGIN MP. 2.100 - END MP. 3.537
 EXCEPTIONS: NONE
 BRIDGE LIMITS: BR#600108 MP 2.100-3.537
 RAILROAD CROSSINGS: NONE

GOVERNING STANDARD PLANS:

Florida Department of Transportation, FY2024-25 Standard Plans for Road and Bridge Construction and applicable Interim Revisions (IRs).

Standard Plans for Road Construction and associated IRs are available at the following website: <http://www.fdot.gov/design/standardplans>

Standard Plans for Bridge Construction are included in the Structures Plans Component

GOVERNING STANDARD SPECIFICATIONS:

Florida Department of Transportation, FY 2024-2025 Standard Specifications for Road and Bridge Construction at the following website: <http://www.fdot.gov/programmanagement/Implemented/SpecBooks>

REVISIONS:

FINANCIAL PROJECT ID 451031-1-52-01

¹ B-1, B-2A, B1-6 (Revised 6/17/2024)

KEY SHEET REVISIONS

DATE	DESCRIPTION
6/17/24	Added Sheet Number 2A to Index

STRUCTURE PLANS

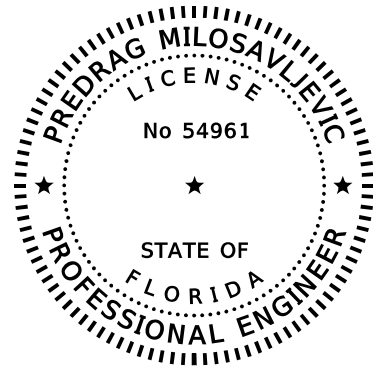
ENGINEER OF RECORD:

PREDRAG MILOSAVLJEVIC, P.E., NO.: 54961
 SCALAR CONSULTING GROUP INC.
 5713 CORPORATE WAY, SUITE 200
 WEST PALM BEACH, FLORIDA 33407
 (561) 429-5065
 CONTRACT NO.: C-AD68
 VEDOR NO.: 451909667

FDOT PROJECT MANAGER:

JASON GENTRY, P.E.
 Phone Number: (850) 330-1608

CONSTRUCTION CONTRACT NO.	FISCAL YEAR	SHEET NO.
E3X08	25	B-1



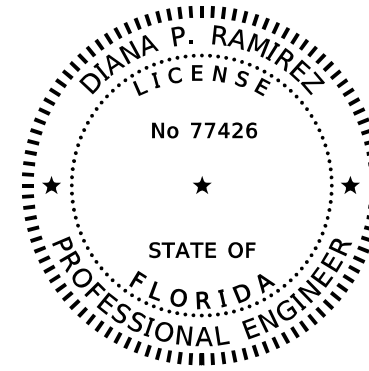
THIS ITEM HAS BEEN DIGITALLY SIGNED AND SEALED BY:

ON THE DATE ADJACENT TO THE SEAL
 PRINTED COPIES OF THIS DOCUMENT ARE NOT CONSIDERED SIGNED AND SEALED AND THE SIGNATURE MUST BE VERIFIED ON ANY ELECTRONIC COPIES.

SCALAR CONSULTING GROUP INC.
 5713 CORPORATE WAY, SUITE 200
 WEST PALM BEACH, FLORIDA 33407
 PREDRAG MILOSAVLJEVIC, P.E. NO. 54961

THE ABOVE NAMED PROFESSIONAL ENGINEER SHALL BE RESPONSIBLE FOR THE FOLLOWING SHEETS IN ACCORDANCE WITH RULE 61G15-23.004, F.A.C.

SHEET NO.	SHEET DESCRIPTION
B-1	KEY SHEET
B-2A	SIGNATURE SHEET



THIS ITEM HAS BEEN DIGITALLY SIGNED AND SEALED BY:

ON THE DATE ADJACENT TO THE SEAL
 PRINTED COPIES OF THIS DOCUMENT ARE NOT CONSIDERED SIGNED AND SEALED AND THE SIGNATURE MUST BE VERIFIED ON ANY ELECTRONIC COPIES.

KCA, KISINGER CAMPO & ASSOCIATES.
 2615 CENTENNIAL BLVD STE 102
 TALLAHASSEE, FLORIDA 32308
 DIANA RAMIREZ, P.E. NO. 77426

THE ABOVE NAMED PROFESSIONAL ENGINEER SHALL BE RESPONSIBLE FOR THE FOLLOWING SHEETS IN ACCORDANCE WITH RULE 61G15-23.004, F.A.C.

SHEET NO.	SHEET DESCRIPTION
B-2A	SIGNATURE SHEET
B1-6	TEMPORARY TRAFFIC CONTROL PLAN

BRIDGE NO. 600108 & NO. 600224

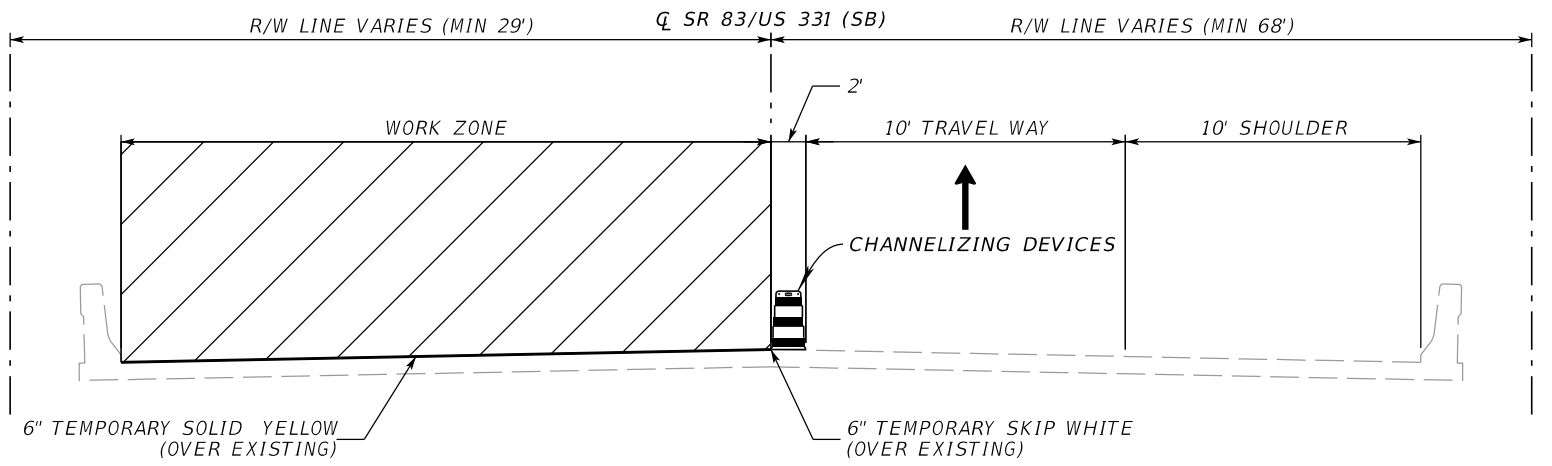
REVISIONS						DRAWN BY: ISB 03-23	STATE OF FLORIDA DEPARTMENT OF TRANSPORTATION			SHEET TITLE: SIGNATURE SHEET	REF. DWG. NO.
DATE	BY	DESCRIPTION	DATE	BY	DESCRIPTION		ROAD NO.	COUNTY	FINANCIAL PROJECT ID		
6/17/24	DPR	Added Sheet					SR 83	WALTON	451031-1-52-01	SR 83 (US 331) OVER CHOCTAWHATCHEE BAY	B-2A

PREDRAG MILOSAVLJEVIC, P.E.
 LICENSE NUMBER: 54961
 SCALAR CONSULTING GROUP INC.
 5713 CORPORATE WAY, SUITE 200
 WEST PALM BEACH, FLORIDA 33407

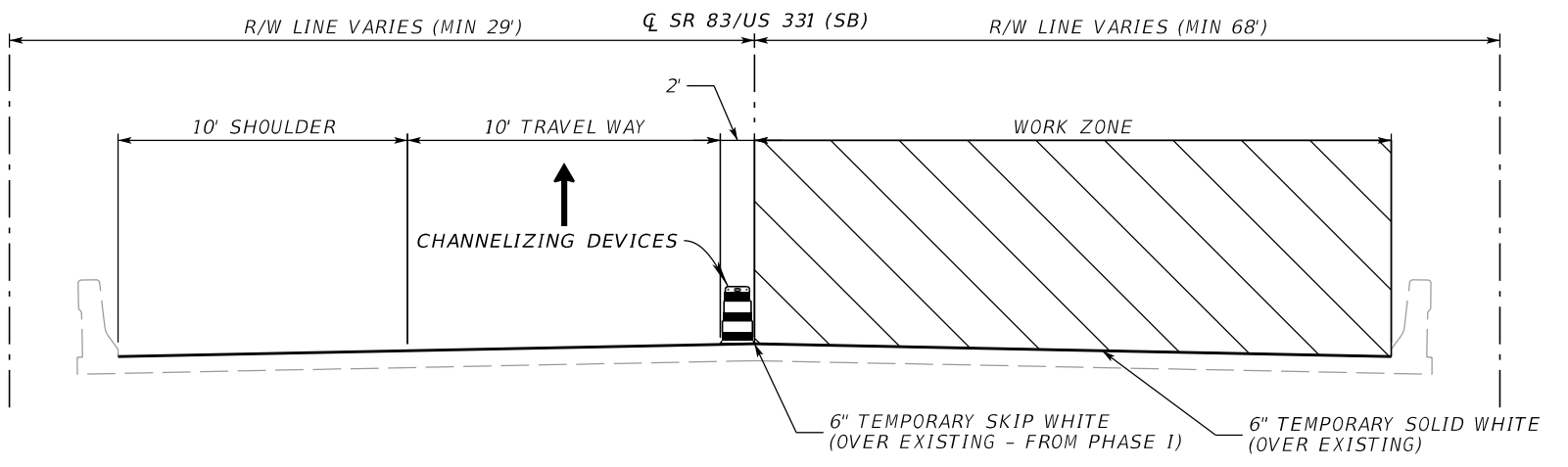
6/17/2024 3:21:16 PM cwascon C:\Users\cwascon\OneDrive\Documents\Submittals\451031-1_Rev01_6-17-

TEMPORARY TRAFFIC CONTROL GENERAL NOTES

1. THE EXISTING POSTED SPEED LIMIT OF SR 83/US 331 IS 55 MPH. REDUCE SPEED LIMIT TO 45 MPH PER STANDARD PLANS INDEX 102-613 SHEET 5 WHILE LANE CLOSURES ARE IN EFFECT.
2. SINGLE LANE CLOSURES SHALL BE IN ACCORDANCE WITH STANDARD PLANS INDEX 102-613, SHEETS 1 & 5 FOR LANE CLOSURE, AND APPROVED BY THE ENGINEER.
3. SINGLE LANE CLOSURE IS PERMITTED ONLY DURING ACTIVE WORK PERIODS. MULTIPLE LANE CLOSURES ARE NOT ALLOWED.
- ⚠ 4. LANE CLOSURES ARE PROHIBITED FROM 6:30 A.M. TO 10:00 A.M. MONDAY THROUGH THURSDAY, AND FRIDAY 6:00 A.M. TO SUNDAY 7:00 P.M.
5. ALL LANES MUST BE REOPENED TO NORMAL TRAFFIC WITHIN 12 HOURS OF AN EVACUATION NOTICE FOR A HURRICANE OR ANY OTHER EMERGENCY EVENT, AND SHALL REMAIN OPEN UNTIL OTHERWISE DIRECTED BY THE PROJECT ENGINEER.
6. PLACE PORTABLE CHANGEABLE MESSAGE SIGN (PCMS) 900FT IN ADVANCE OF FIRST WORK ZONE SIGN.



PHASE I TYPICAL (SOUTHBOUND INSIDE LANE CLOSURE)



PHASE II TYPICAL (SOUTHBOUND OUTSIDE LANE CLOSURE)

PORTABLE CHANGEABLE MESSAGE SIGN (PCMS) DISPLAYS

TWO WEEKS PRIOR TO CONSTRUCTION

B	R	I	D	G	E

MESSAGE 1

B	E	G	I	N	S
		D	D		

MESSAGE 2

DURING LANE CLOSURE

L	T	L	A	N	E
C	L	O	S	E	D
A	H	E	A	D	

MESSAGE 1

OR

R	T	L	A	N	E
C	L	O	S	E	D
A	H	E	A	D	

MESSAGE 1

S	P	E	E	D			
R	E	D	U	C	E	D	
N	E	X	T	X	M	I	

MESSAGE 2

BRIDGE NO.: 600108

REVISIONS				Diana P. Ramirez, P.E. P.E. License Number 77426 Kisinger Campo & Associates Corp. 2165 Centennial Blvd., STE 102 Tallahassee, FL 32308	STATE OF FLORIDA DEPARTMENT OF TRANSPORTATION			TEMPORARY TRAFFIC CONTROL PLAN	SHEET NO. B1-6
DATE	DESCRIPTION	DATE	DESCRIPTION		ROAD NO.	COUNTY	FINANCIAL PROJECT ID		
6/17/24	⚠ Updated Note 4				SR 83	WALTON	451031-1-52-01		

THE OFFICIAL RECORD OF THIS SHEET IS THE ELECTRONIC FILE DIGITALLY SIGNED AND SEALED UNDER RULE 61G15-23.004, F.A.C.