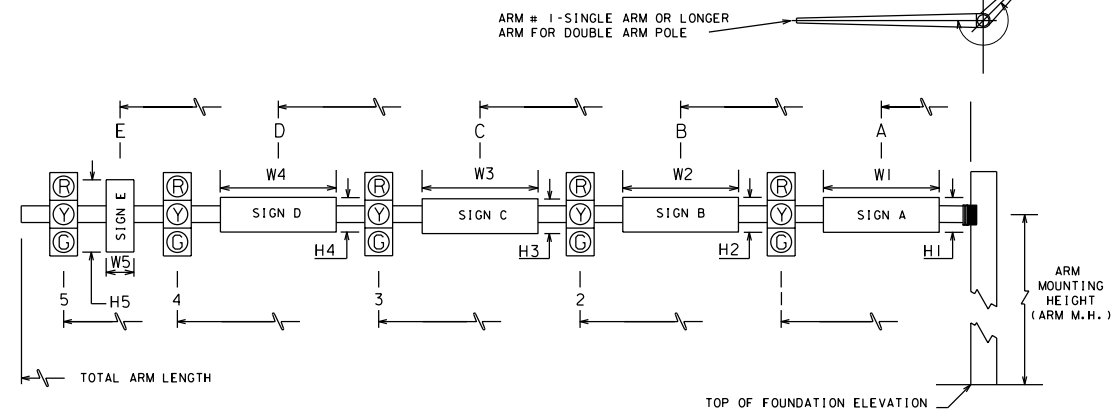


SPECIAL INSTRUCTIONS			
ID NO.	PED. BUTTON	PED. SIGNALS	HANDHOLE LOCATION

ARM # 2 - DOUBLE ARM POLE ORIENTATION TO BE MEASURED IN A COUNTER CLOCKWISE DIRECTION FROM ARM # 1.



* DENOTES NUMBER OF SECTIONS IN SIGNAL HEAD ASSEMBLY.

ID NO.	SHEET NO.	LOCATION BY STA.	TOP OF FOUNDATION ELEVATION	RMV ARM NO.	CROWN ELEV.	SIGNAL V/H	BACK PLATES Y/N	PED. SIGNAL Y/N	SIGNAL DATA															TOTAL ARM LENGTH	ARM M.H.	∠ BETWEEN DUAL ARMS 90/270	SIGN DATA															PAINT COLOR
									DISTANCE FROM POLE (FT)																		DISTANCE FROM POLE / HEIGHT AND WIDTH OF SIGN (FT)															
									1	*	2	*	3	*	4	*	5	*	A	H1	W1	B	H2				W2	C	H3	W3	D	H4	W4	E	H5	W5						
1	T-4	10+42.00	2.81	1	2.84	V	Y		11.5	3	22.0	3	28.5	3	50.0	5																										
2	T-5	12+36.00	2.68	1	2.67	V	Y		11.5	3	22.0	3	28.0	3	50.0	5	270																									
				2	2.69	V	Y		13.0	3	24.5	3																														

EXHIBIT T-MA
Date: 1/1/09

REVISIONS		STATE OF FLORIDA DEPARTMENT OF TRANSPORTATION			SHEET NO.
DATE	DESCRIPTION	DATE	DESCRIPTION	ROAD NO.	
				10	
				LEON	
				123456-1-52-01	
				MAST ARM TABULATION	

NOTICE: THE OFFICIAL RECORD OF THIS SHEET IS THE ELECTRONIC FILE SIGNED AND SEALED UNDER RULE 68G5-23.003, F.A.C.

