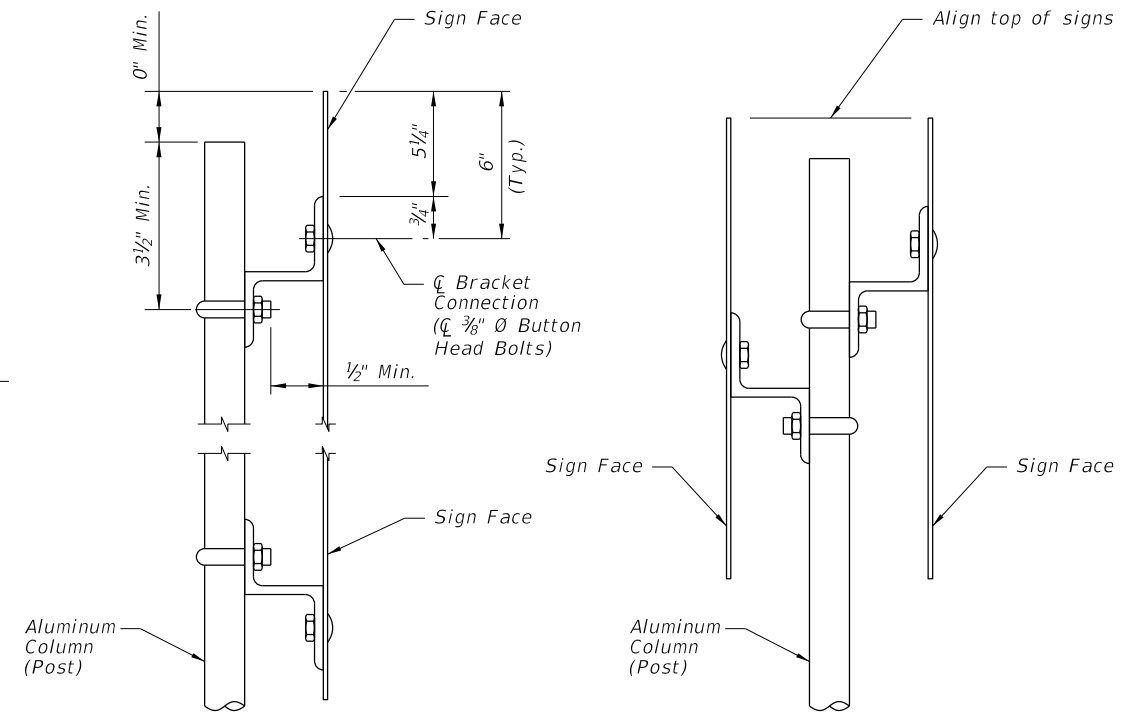


NOTES:

1. 5/16" Ø Stainless Steel Hex Head Bolts with Flat Washer under Head and Lockwasher under Nut may be used in lieu of 3/8" Ø Aluminum Button Head Bolts.
2. Nylon washers provided by the sheeting supplier shall be used on all ground mounted signs. The washers shall be installed under the sign bolt head to protect the sheeting.
3. Vertical spacing of brackets shall not exceed 2'-6". Use additional brackets, spaced evenly, to maintain maximum spacing.
4. Slots for U-bolts are allowed in zee bracket to accommodate various post diameters.

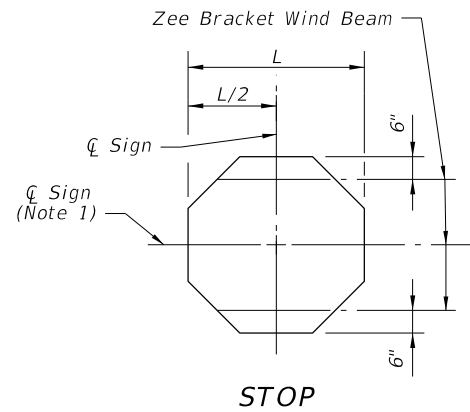
BRACKET DETAIL



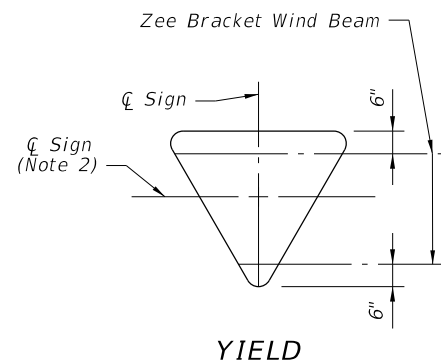
VIEW A-A

SIGNS BACK-TO-BACK

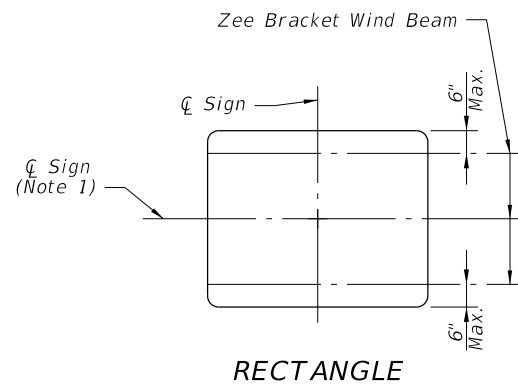
NOTE:
Use the area and the centroid location of the largest sign to determine column (post) size.



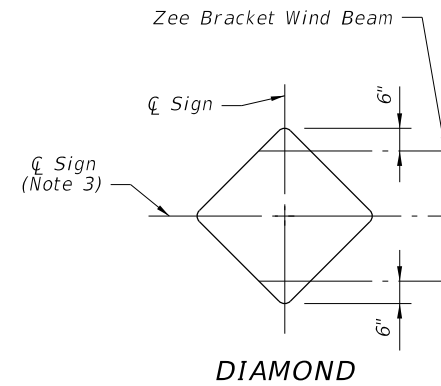
STOP



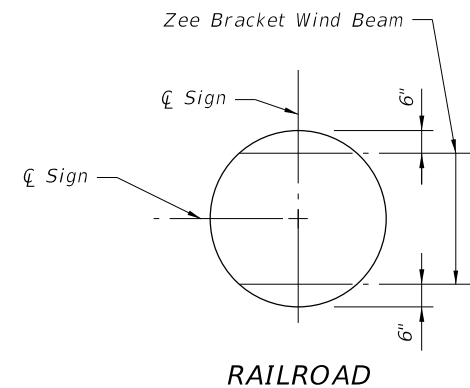
YIELD



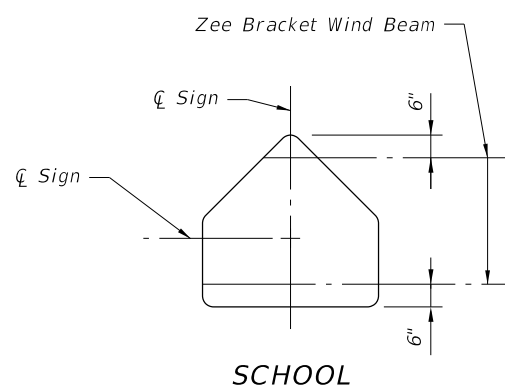
RECTANGLE



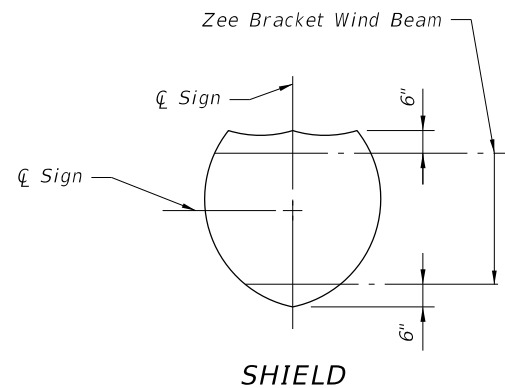
DIAMOND



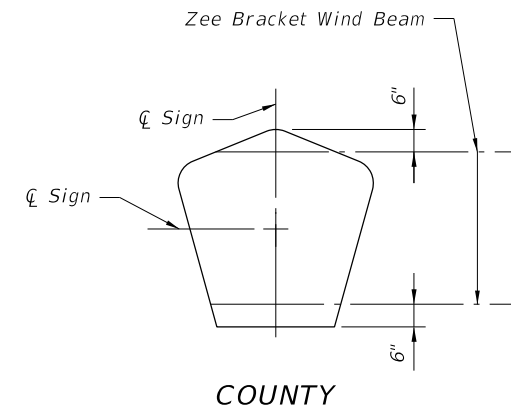
RAILROAD



SCHOOL



SHIELD




COUNTY

NOTES:

1. For signs with heights greater than 30" a third zee bracket wind beam shall be installed along the \bar{C} .
2. For Yield signs greater than 36" a third zee bracket wind beam shall be installed along the \bar{C} .
3. Diamond signs with dimensions greater than 30" a third zee bracket wind beam shall be installed along the \bar{C} .
4. Use only one Wind Beam at \bar{C} Sign for sign height up to 12".

CONNECTION AND WIND BEAM

12/15/2014 1:46:54 PM

LAST REVISION 12/15/14	DESCRIPTION: Added Note for Diamond signs.	 2015 DESIGN STANDARDS	SINGLE COLUMN GROUND SIGNS	INDEX NO. 11860	SHEET NO. 4 of 8
---------------------------	-----------------------------------------------	-----------------------------------------------------------------------------------------------------------------------	-----------------------------------	---------------------------	----------------------------