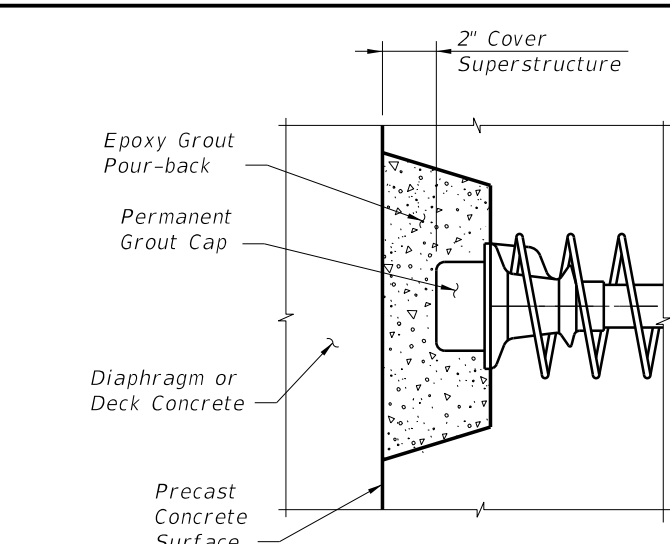
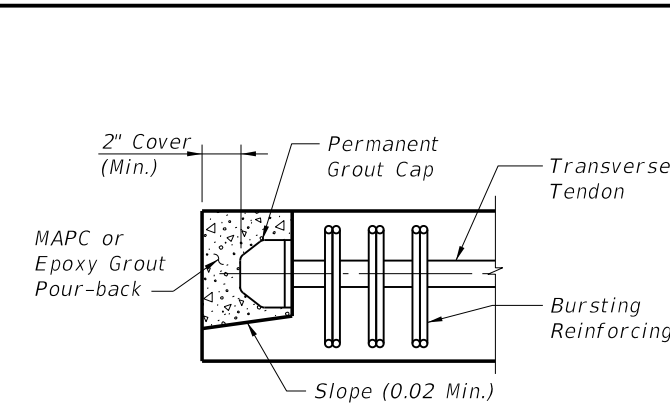


TYPE 1

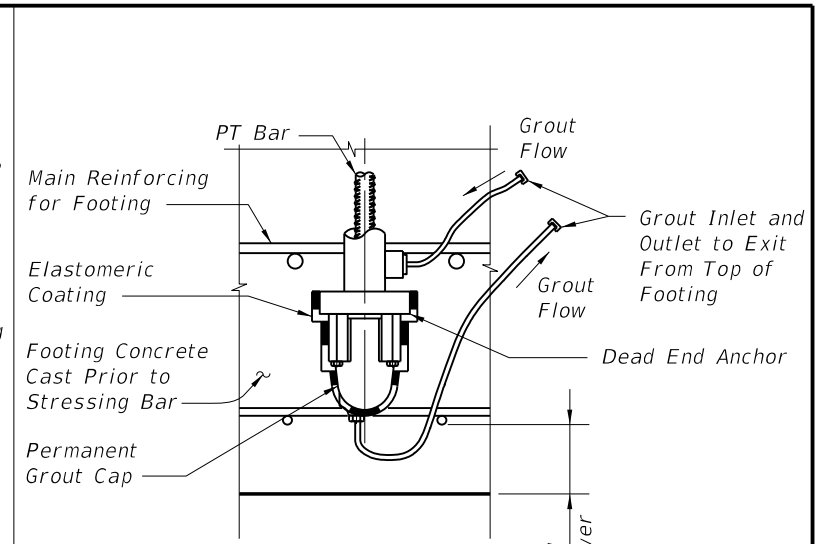


TYPE 2

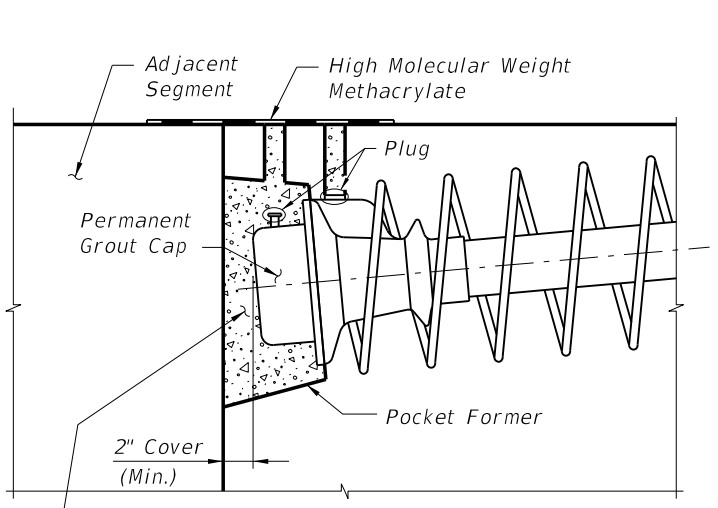


TYPE 7

- Type 7 Notes:
 1. Traffic or Pedestrian/Bicycle Railing not shown for Clarity.
 2. Where Pour-back is not protected by Traffic or Pedestrian/Bicycle Railing, Coat Pour-back with High Molecular Weight Methacrylate.

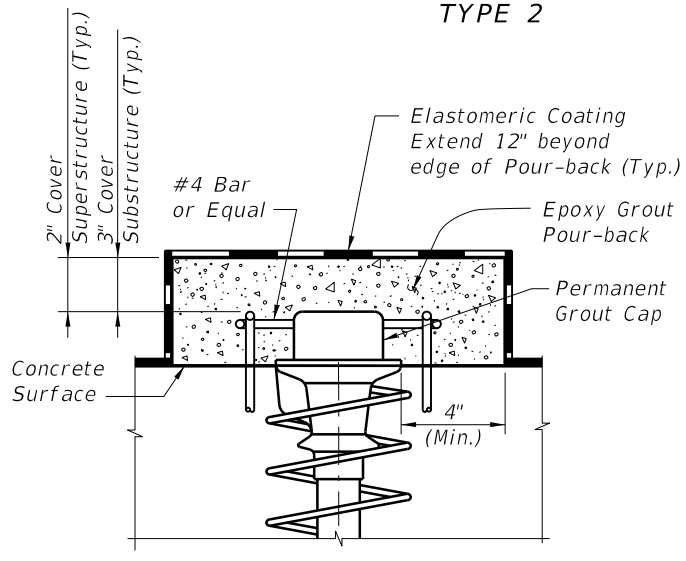


TYPE 8

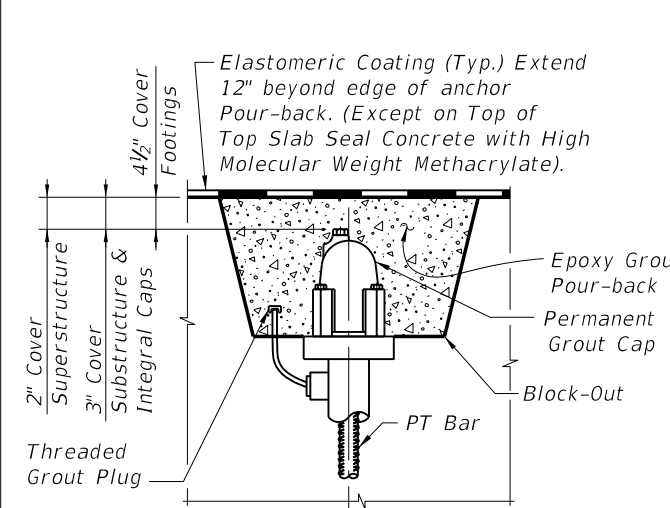


TYPE 3

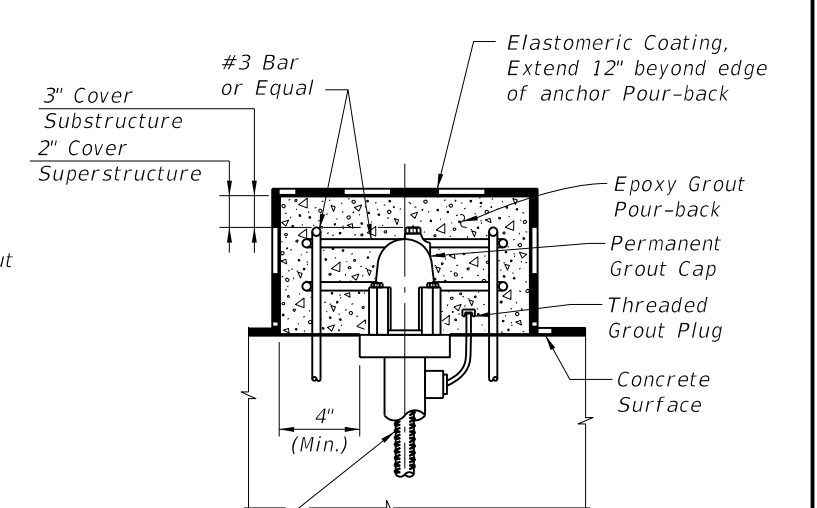
Epoxy Grout Pour-back placed after permanent tendons anchored in adjacent segment have been stressed



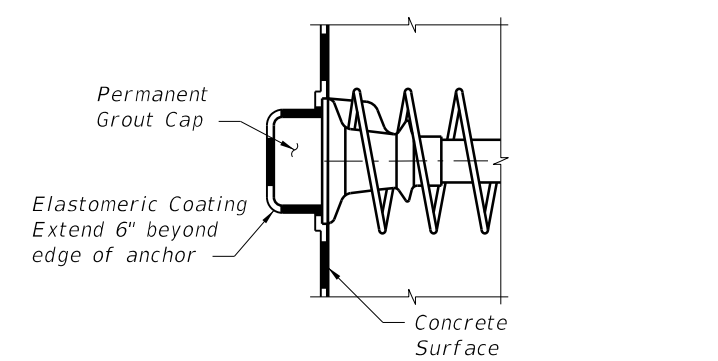
TYPE 4



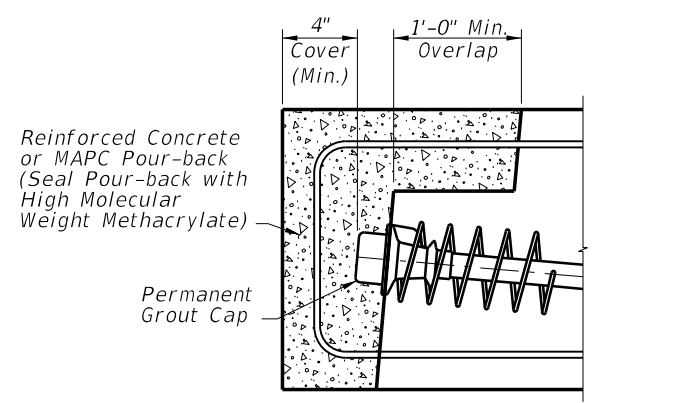
TYPE 9



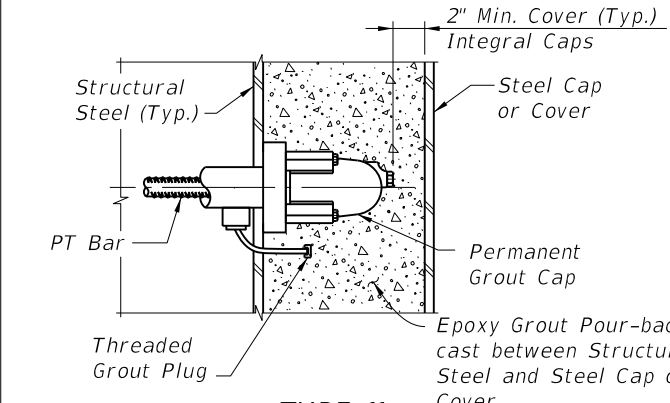
TYPE 10



TYPE 5

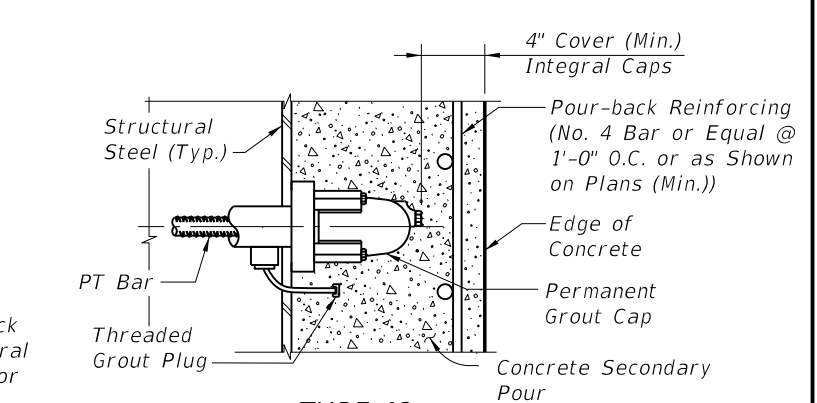


TYPE 6



TYPE 11

(Shear Studs not Shown for Clarity)




TYPE 12

(Shear Studs not Shown for Clarity)

ANCHOR PROTECTION FOR PT TENDONS

ANCHOR PROTECTION FOR PT BARS

5/22/2014 2:49:49 PM

LAST REVISION 01/01/12	REVISION	DESCRIPTION:	 2015 DESIGN STANDARDS	POST-TENSIONING ANCHORAGE PROTECTION	INDEX NO. 21802	SHEET NO. 1 of 1
---------------------------	----------	--------------	---	--------------------------------------	--------------------	---------------------