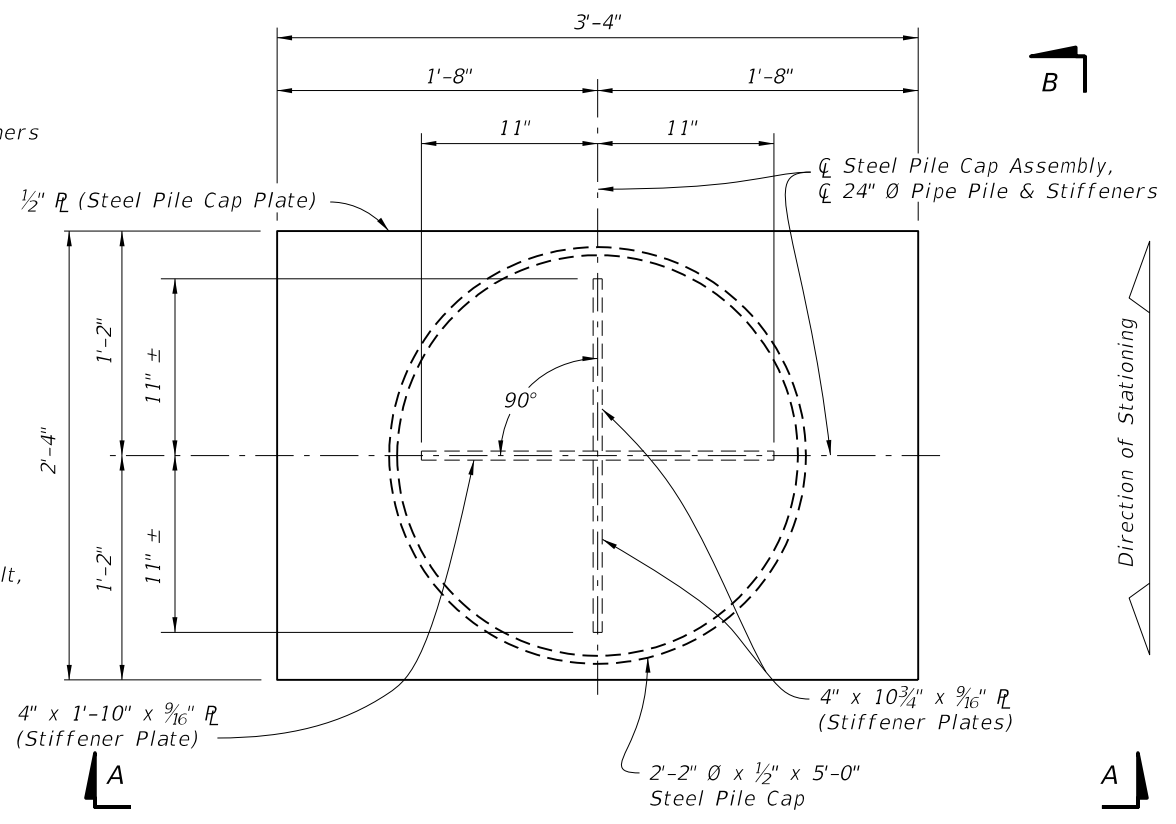
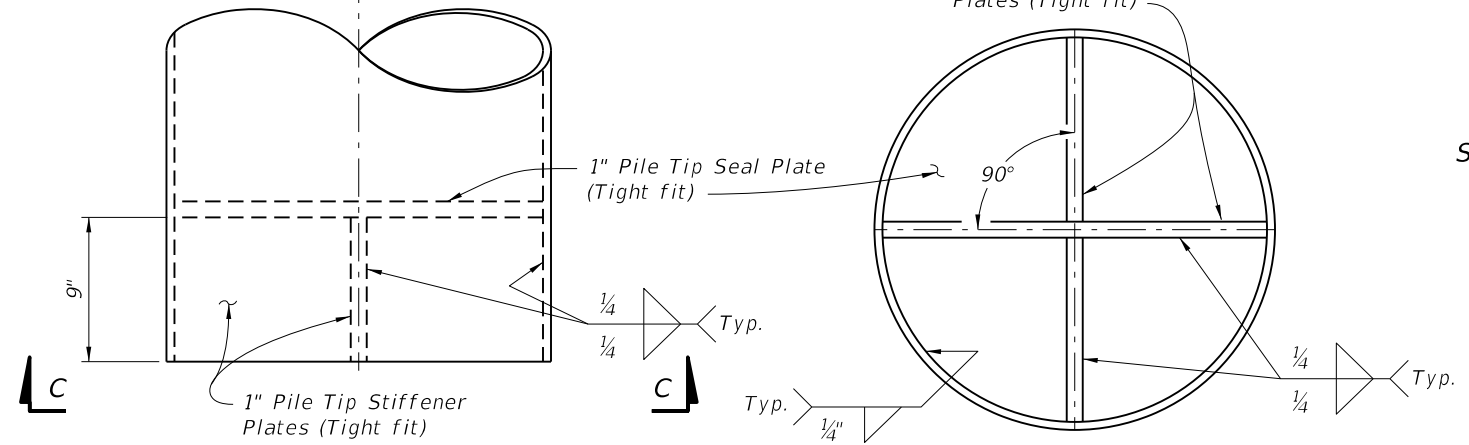


PARTIAL VIEW A-A

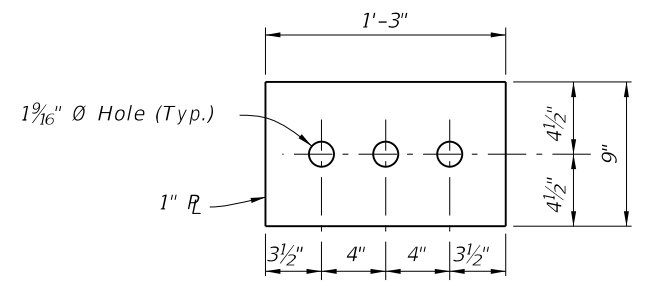


PLAN VIEW STEEL PILE CAP ASSEMBLY
(Bearing Plates and Bearing Keeper Bars not show for clarity)



VIEW B-B

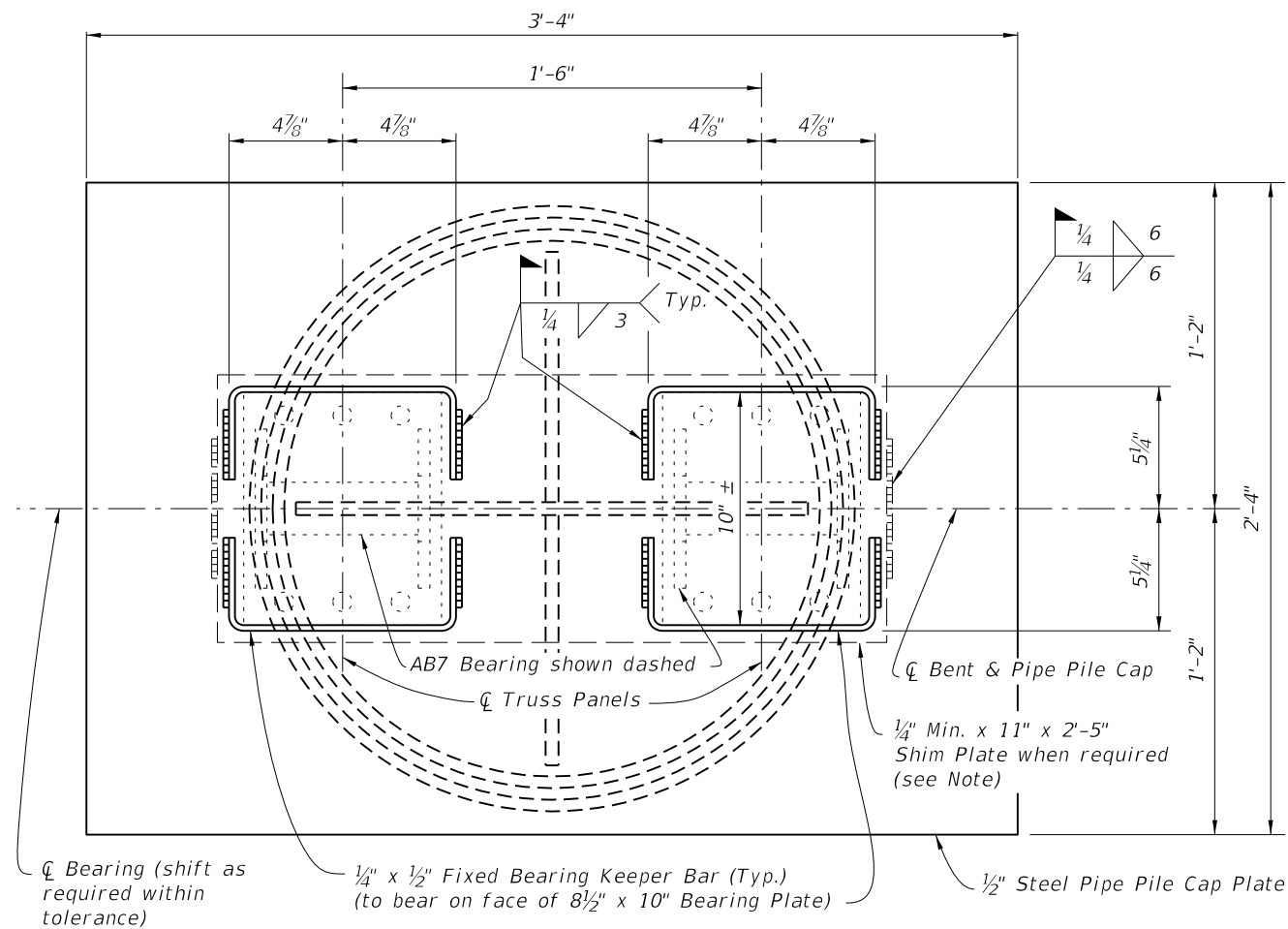
VIEW C-C
PILE TIP DETAIL



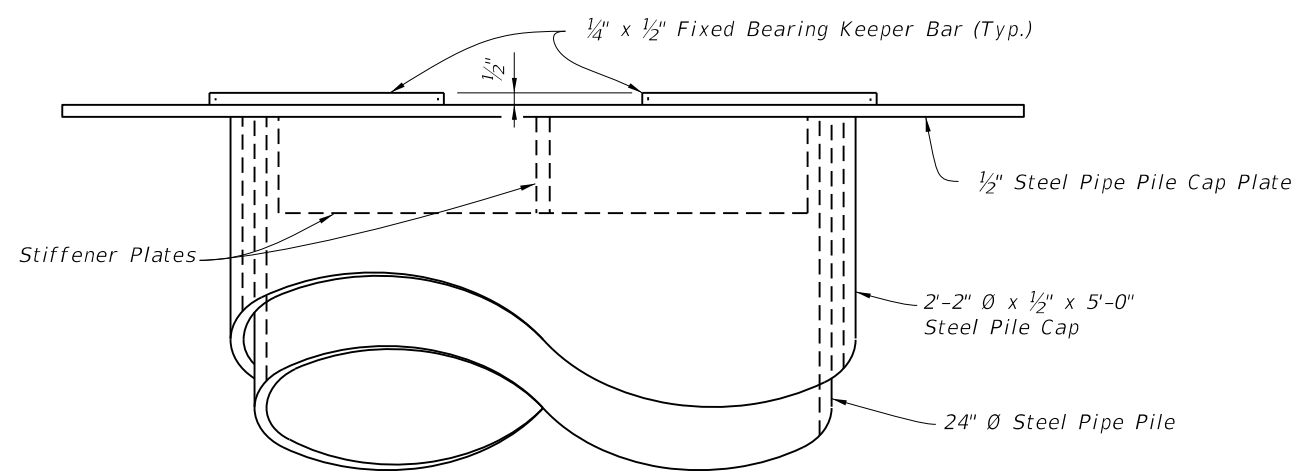
STRUT CONNECTOR PLATE DETAIL

5/22/2014 2:47:50 PM

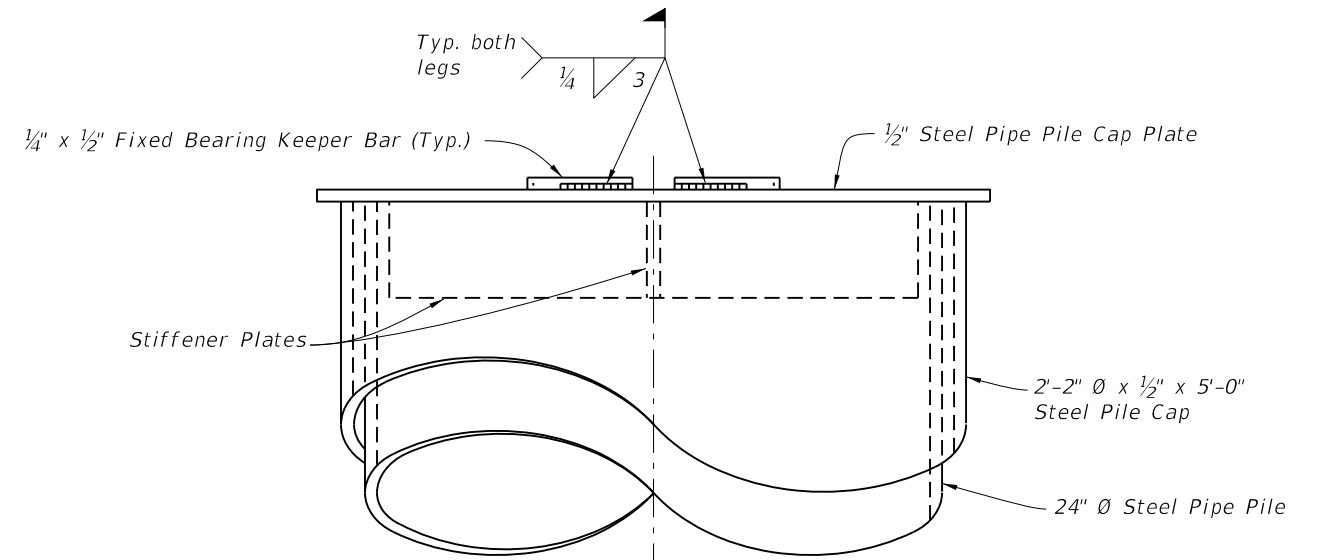
LAST REVISION	REVISION	DESCRIPTION:	 2015 DESIGN STANDARDS	TEMPORARY DETOUR BRIDGE DETAILS STEEL PIPE PILE FOUNDATIONS	INDEX NO. 21630	SHEET NO. 1 of 3
07/01/06						



PARTIAL PLAN VIEW

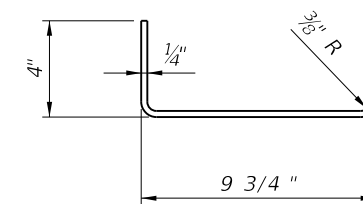


PARTIAL ELEVATION VIEW



END VIEW

Note:
Use Shim Plates as required to provide equal bearing seat elevations across the bent. Vary thickness of Shim Plate across the pile cap plate to provide a level bearing area in the transverse direction.

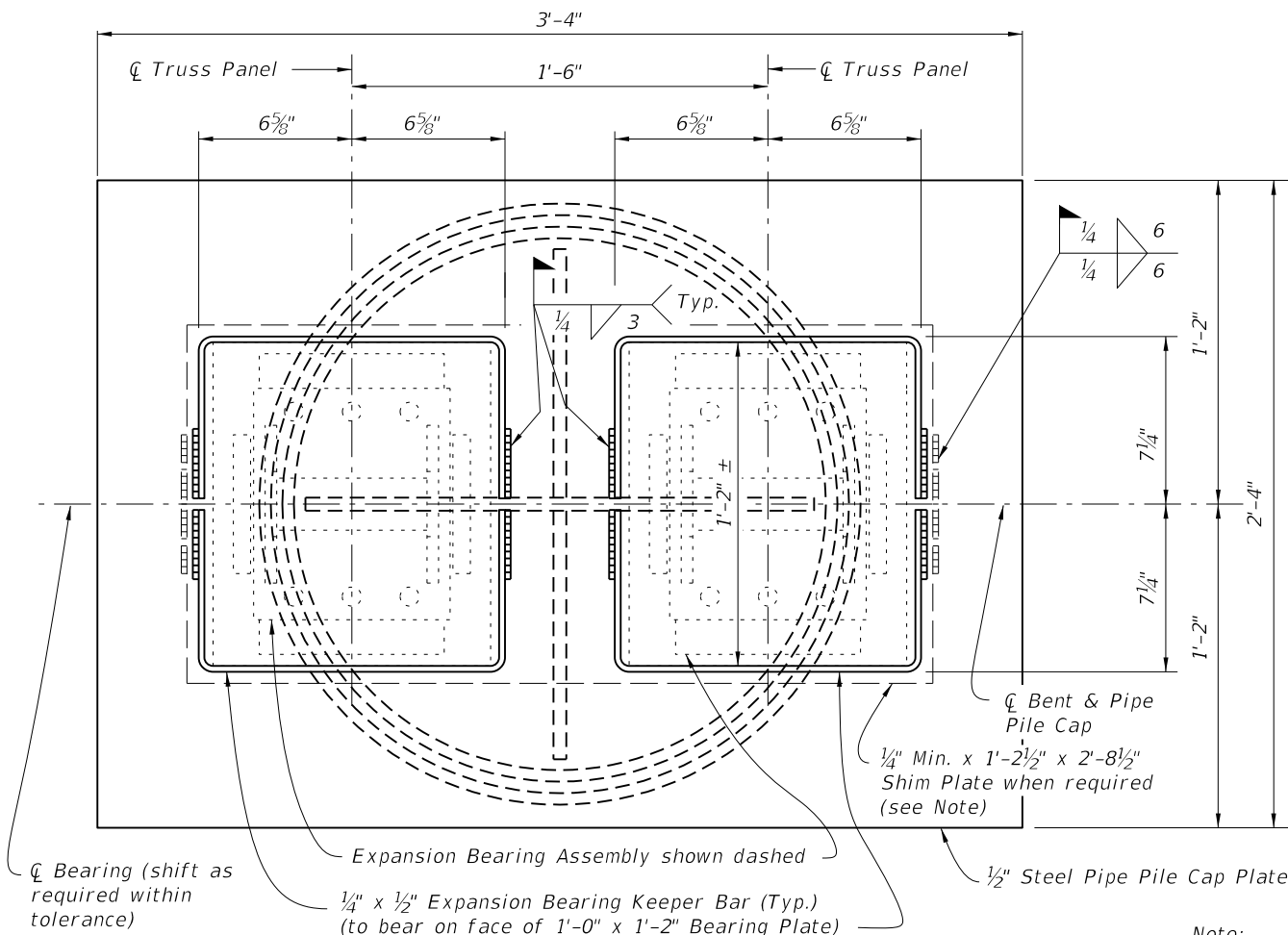


FIXED BEARING KEEPER BAR DETAIL

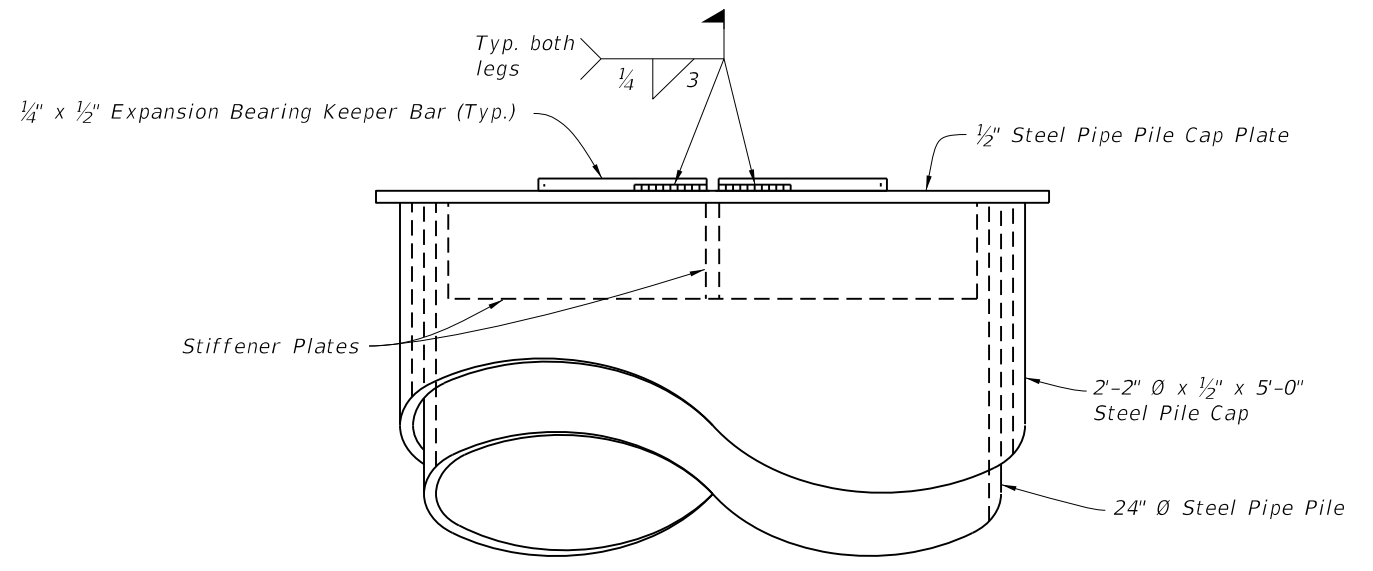
FIXED BEARING DETAILS

5/22/2014 2:47:51 PM

LAST REVISION 07/01/06	REVISION	DESCRIPTION:	 2015 DESIGN STANDARDS	TEMPORARY DETOUR BRIDGE DETAILS STEEL PIPE PILE FOUNDATIONS	INDEX NO. 21630	SHEET NO. 2 of 3
---------------------------	----------	--------------	---	--	--------------------	---------------------

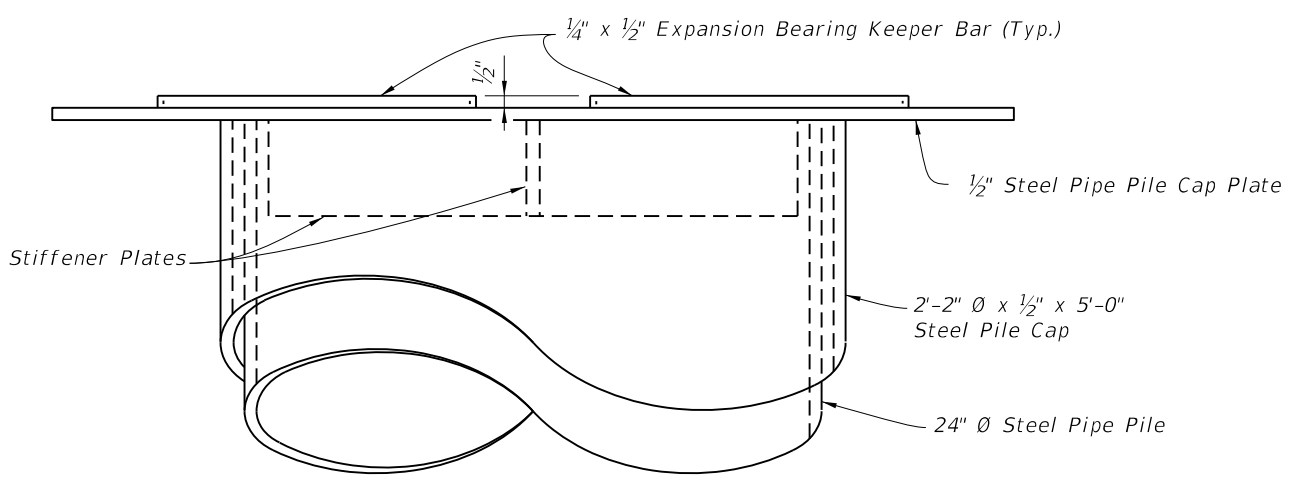


PARTIAL PLAN VIEW

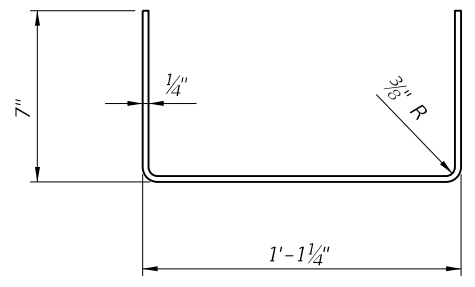


END VIEW

Note:
Use Shim Plates as required to provide equal bearing seat elevations across the bent. Vary thickness of Shim Plate across the pile cap plate to provide a level bearing area in the transverse direction.



PARTIAL ELEVATION VIEW



EXPANSION BEARING KEEPER BAR DETAIL

ABUTMENT AND INTERMEDIATE EXPANSION BEARING DETAILS

5/22/2014 2:47:52 PM

LAST REVISION	07/01/06	DESCRIPTION:		2015 DESIGN STANDARDS	TEMPORARY DETOUR BRIDGE DETAILS STEEL PIPE PILE FOUNDATIONS	INDEX NO. 21630	SHEET NO. 3 of 3
---------------	----------	--------------	--	--------------------------	--	--------------------	---------------------