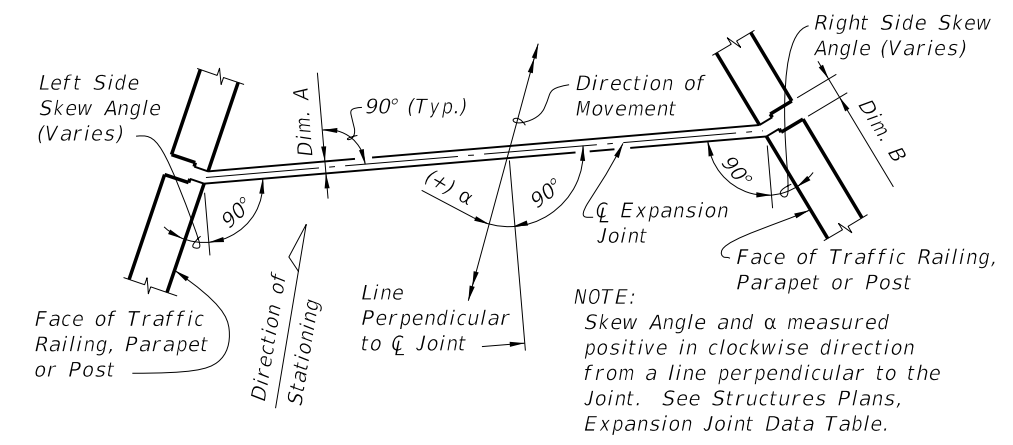
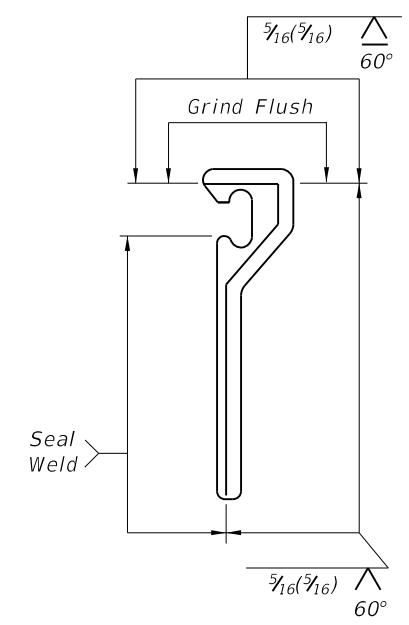


TYPICAL SECTION THRU STRIP SEAL EXPANSION JOINT
 (Begin or End Concrete Girder Bridge shown,
 Intermediate Supports and Steel Girder Bridge similar.
 Reinforcing Steel and Girder details not shown for clarity.)



MOVEMENT SCHEMATIC



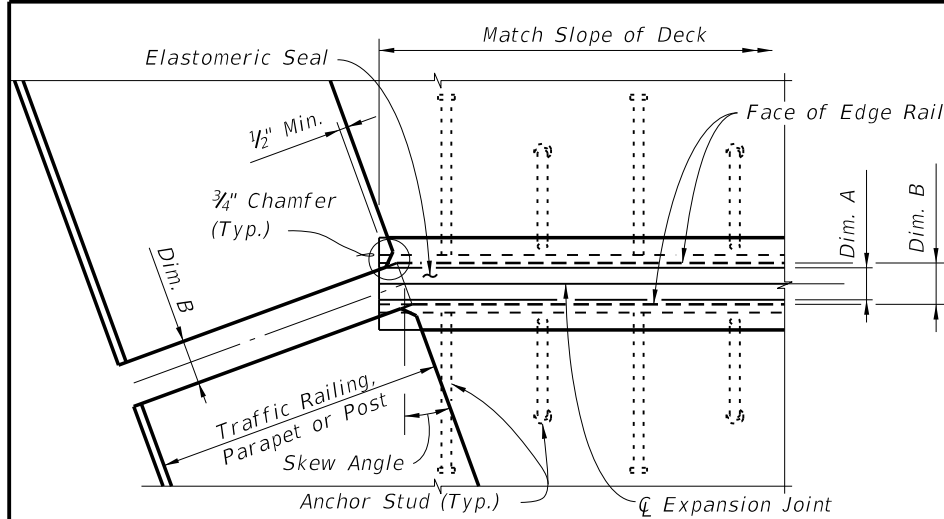
SHOP SPLICE DETAIL

GENERAL NOTES:

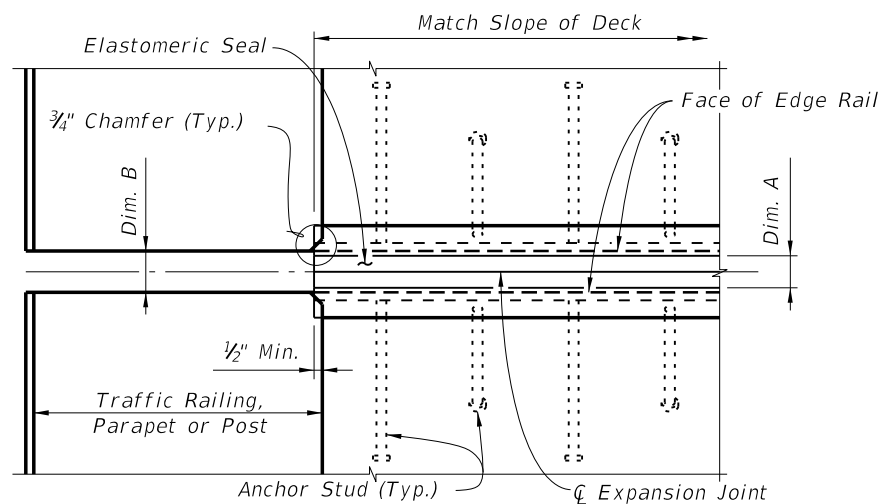
1. Furnish Strip Seal Expansion Joint Systems in accordance with Specification Section 458.
2. Shape of Edge Rail shown is representative, minor variations depending on manufacturer are permitted.
3. Recess the Edge Rail below the concrete surface in accordance with Specification Section 458.
4. Refer to the Expansion Joint Data Table in the Structures Plans for joint movement and Dimension A.
5. Refer to Specification Section 458 for installation and fabrication requirements.

5/22/2014 1:57:32 PM

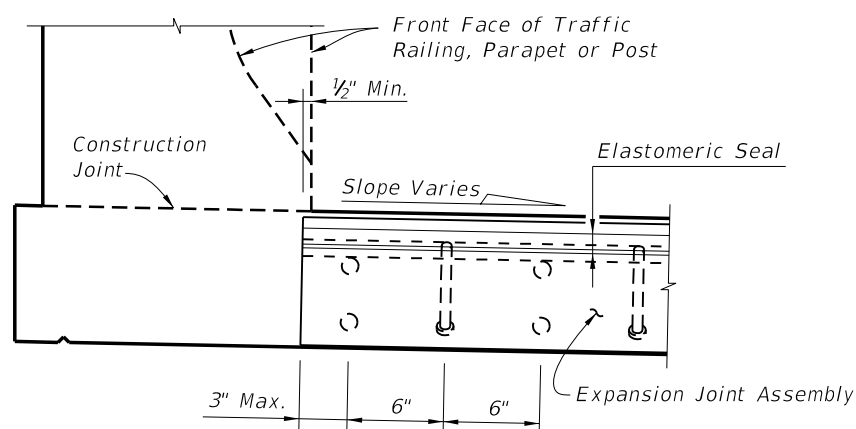
LAST REVISION 07/01/13	REVISION	DESCRIPTION:	 2015 DESIGN STANDARDS	STRIP SEAL EXPANSION JOINT	INDEX NO. 21100	SHEET NO. 1 of 3
---------------------------	----------	--------------	------------------------------	-----------------------------------	--------------------	---------------------



PARTIAL PLAN VIEW OF SKEWED JOINTS

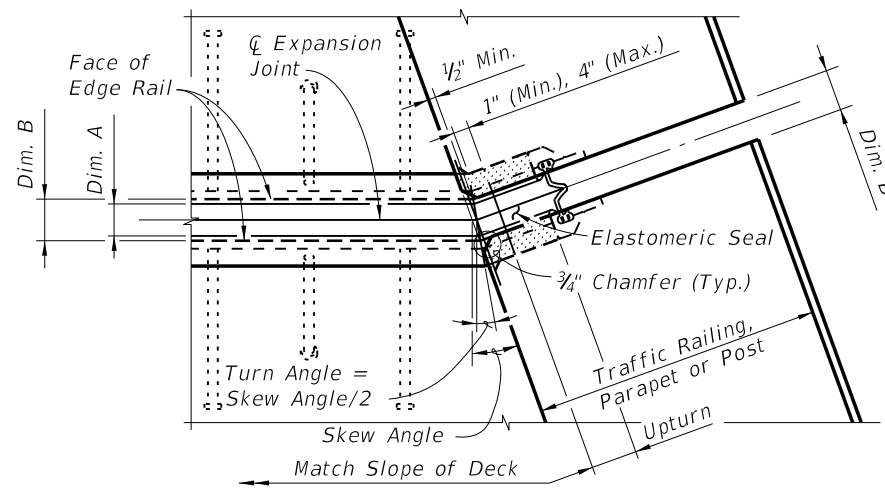


PARTIAL PLAN VIEW OF NONSKEWED JOINTS

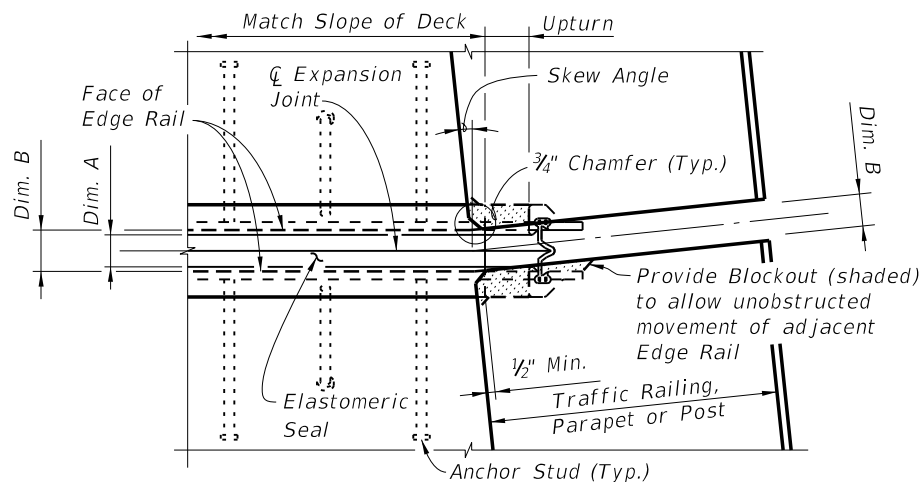


PARTIAL SECTION ALONG Q JOINT

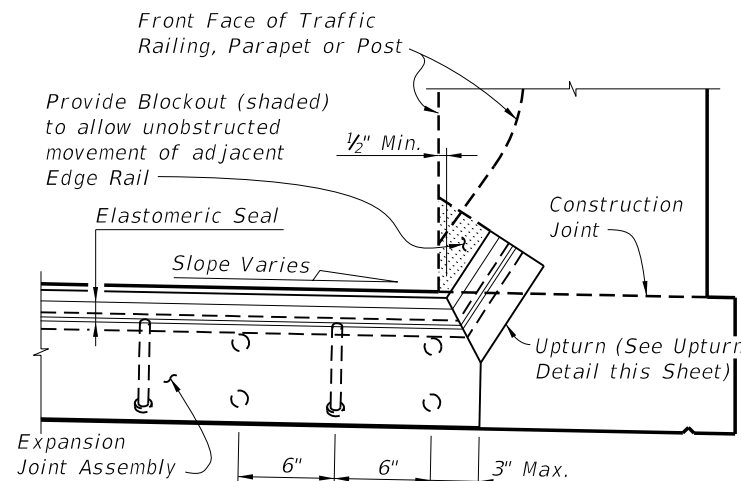
JOINT TREATMENT AT HIGH SIDE OF DECK WITH SLOPE $\geq 1\%$
(Sidewalk Cover Plate where applicable not shown for clarity)



PARTIAL PLAN VIEW OF JOINTS SKEWED GREATER THAN 6°

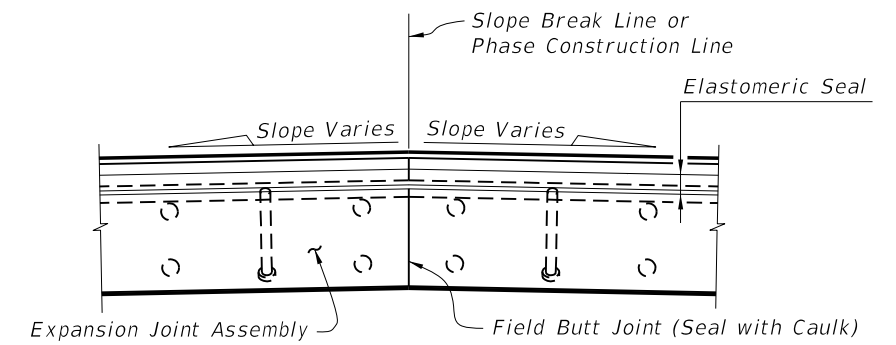


PARTIAL PLAN VIEW OF NONSKEWED JOINTS & JOINTS SKEWED 6° OR LESS

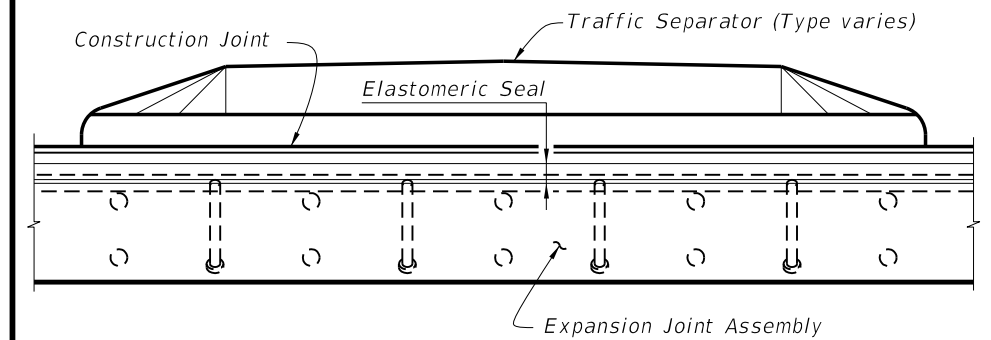


PARTIAL SECTION ALONG Q JOINT

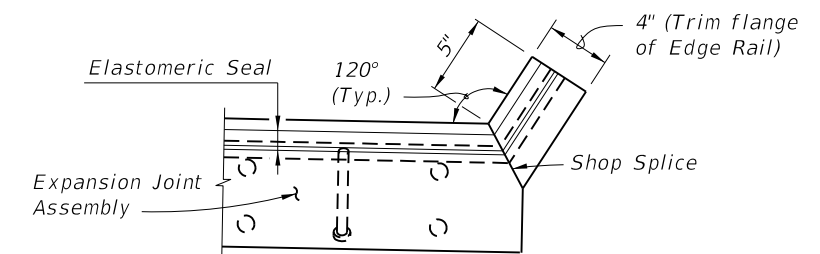
JOINT TREATMENT AT LOW SIDE OF DECK & HIGH SIDE OF DECK WITH SLOPE $< 1\%$
(Sidewalk Cover Plate where applicable not shown for clarity)



PARTIAL SECTION ALONG Q JOINT AT FIELD BUTT JOINT LOCATION (CROWNED DECK OR SLAB SHOWN)



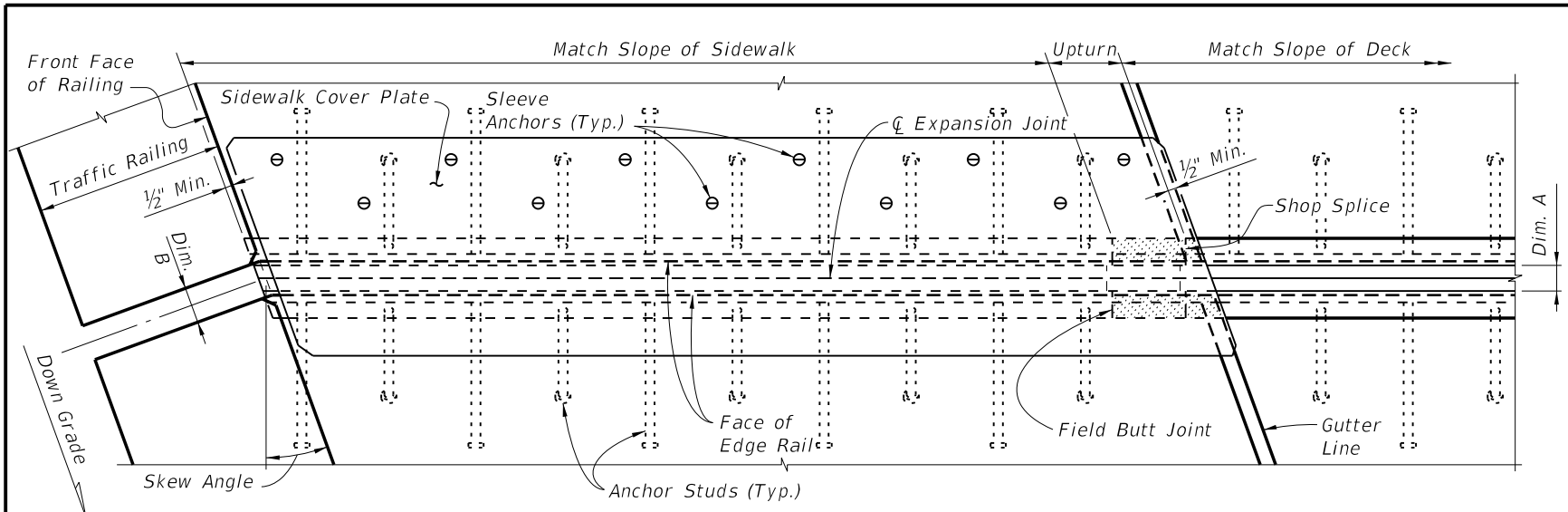
PARTIAL SECTION ALONG Q JOINT THRU TRAFFIC SEPARATOR



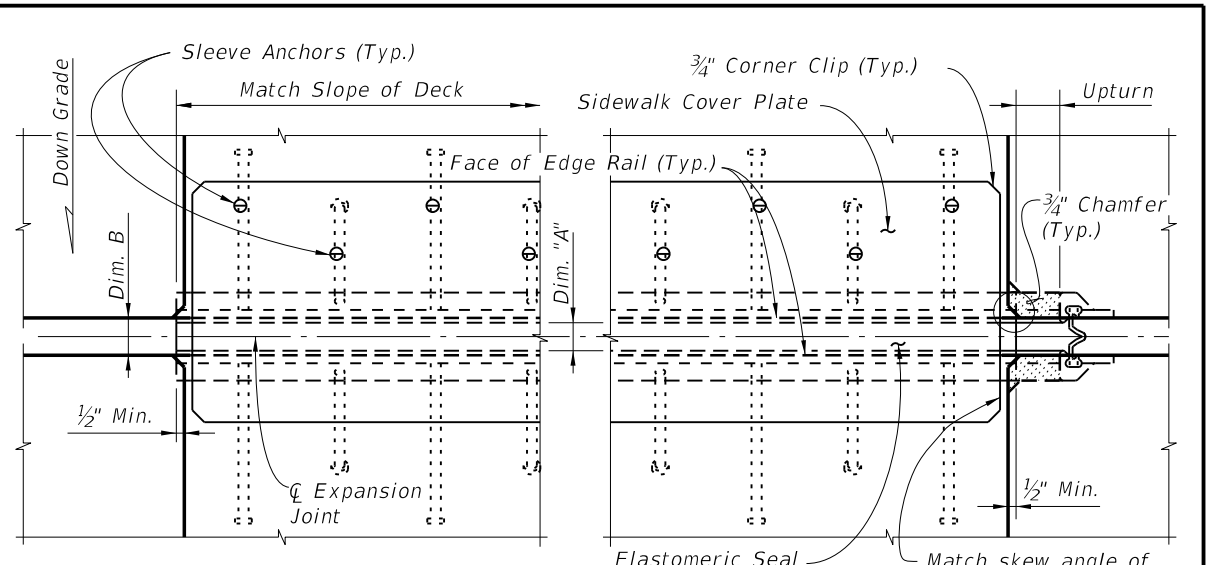
UPTURN DETAIL (TYPICAL AT TRAFFIC BARRIERS AND PARAPETS)

5/22/2014 1:57:33 PM

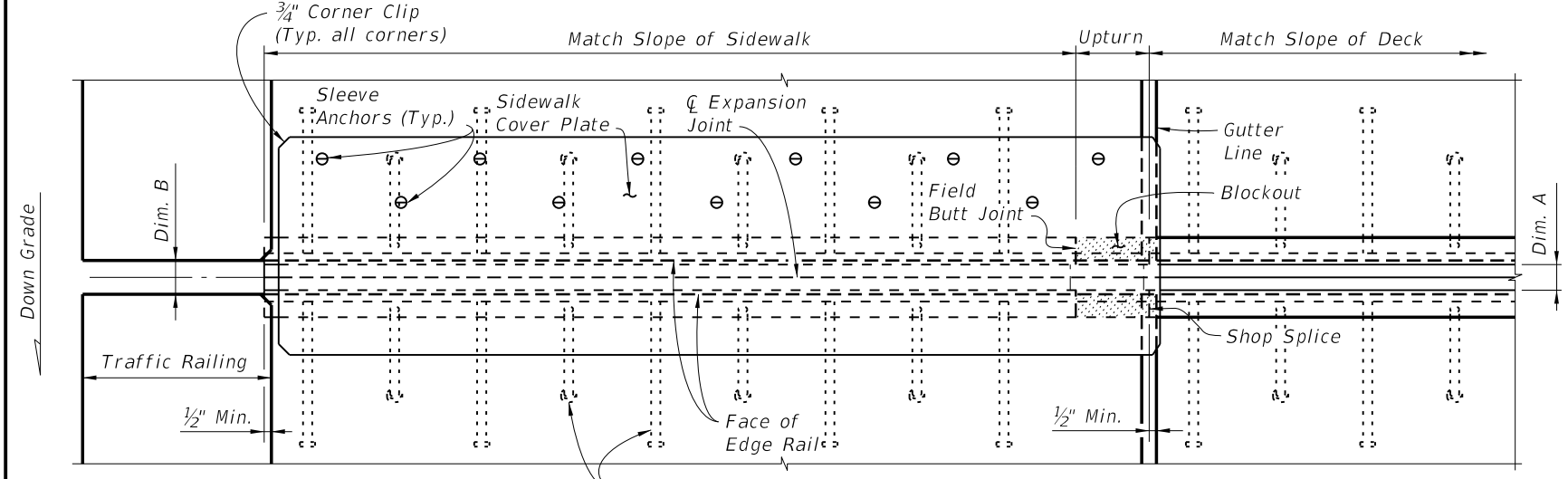
LAST REVISION 07/01/14	REVISION	DESCRIPTION:	 2015 DESIGN STANDARDS	STRIP SEAL EXPANSION JOINT	INDEX NO. 21100	SHEET NO. 2 of 3
---------------------------	----------	--------------	--	-----------------------------------	---------------------------	----------------------------



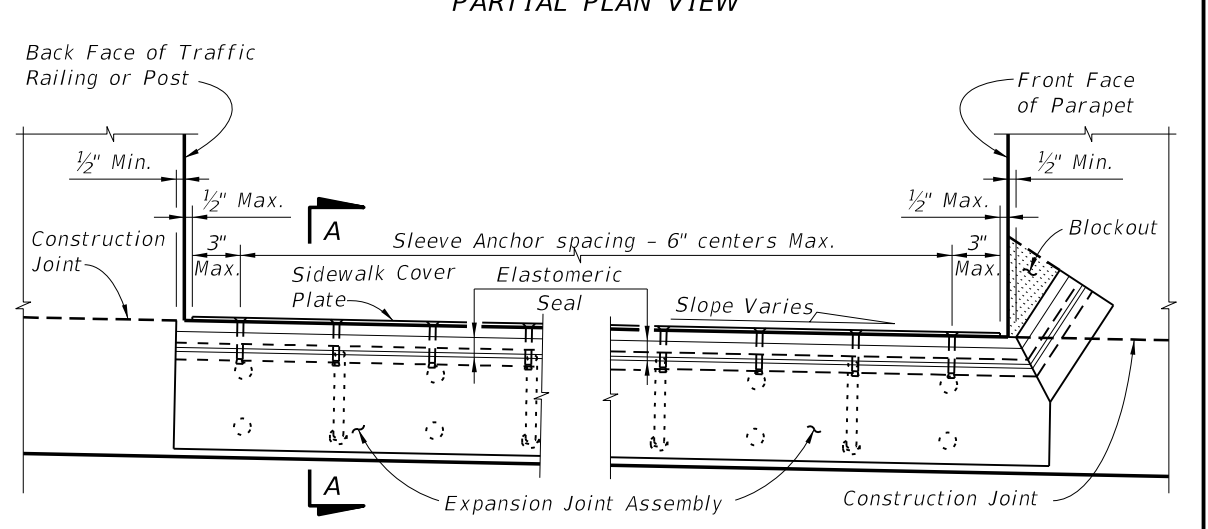
PARTIAL PLAN VIEW OF SKEWED JOINTS



PARTIAL PLAN VIEW

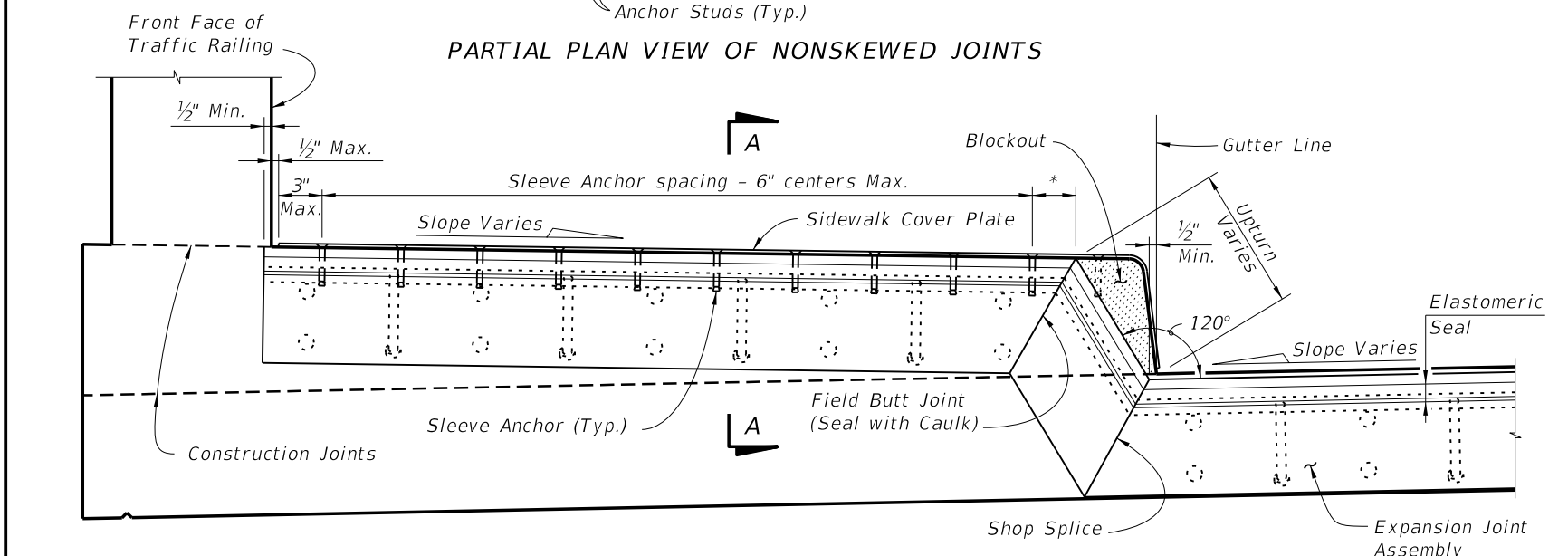


PARTIAL PLAN VIEW OF NONSKEWED JOINTS



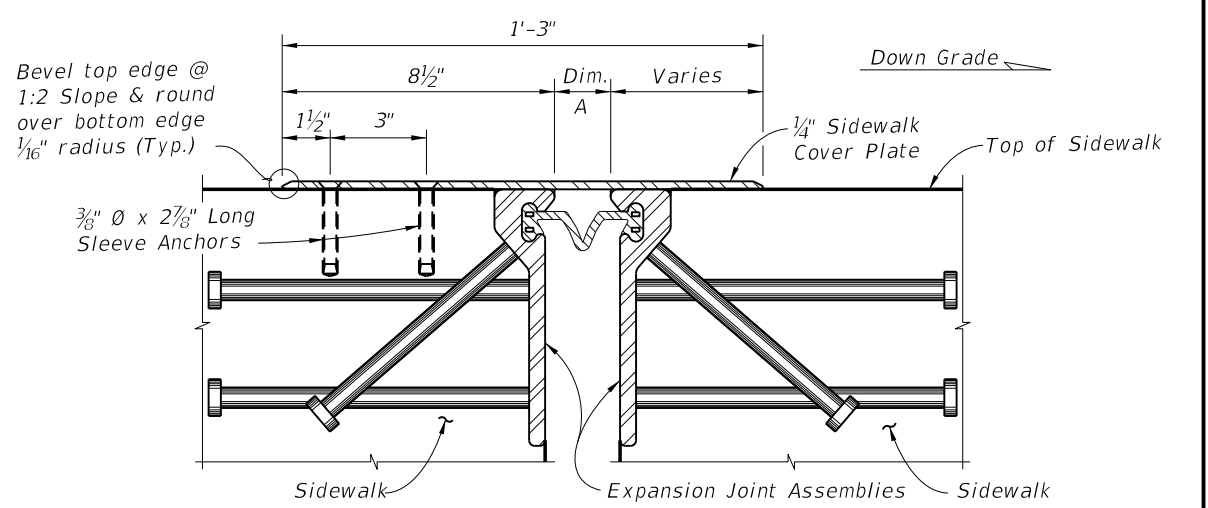
PARTIAL SECTION ALONG Q JOINT

FLUSH SIDEWALK DETAIL



PARTIAL SECTION ALONG Q JOINT

RAISED SIDEWALK DETAIL



SECTION A-A

* Distance from Q Sleeve Anchor to edge of concrete is 2 inches minimum, 3 inches maximum.

5/22/2014 1:57:34 PM

LAST REVISION 07/01/13	REVISION	DESCRIPTION:	 2015 DESIGN STANDARDS	STRIP SEAL EXPANSION JOINT	INDEX NO. 21100	SHEET NO. 3 of 3
---------------------------	----------	--------------	--	-----------------------------------	---------------------------	----------------------------