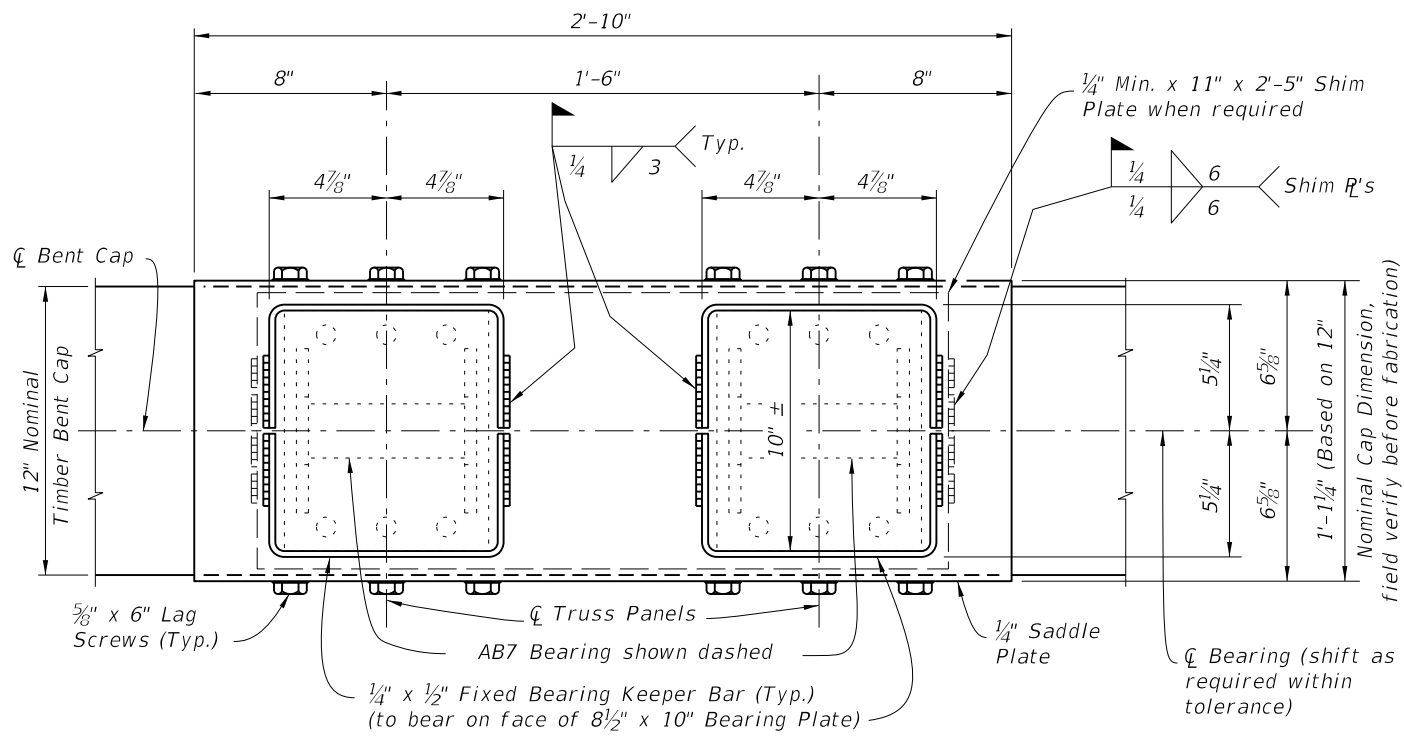
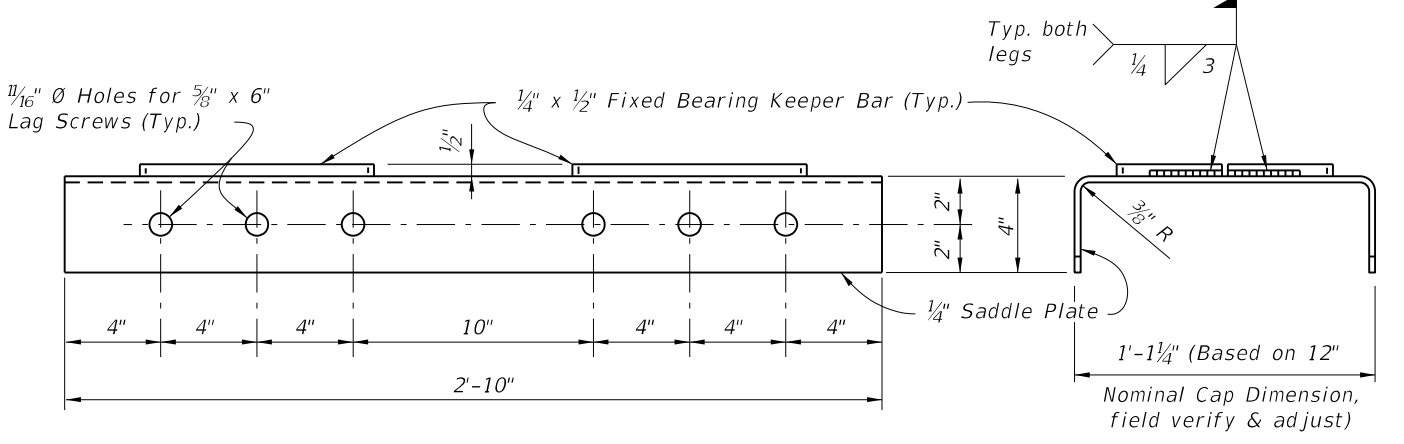


C:\projects\standards\structures\current\ready\4release\2014\BOOK\21610-1of3.dgn
 sm970re
 8:01:56 PM
 6/24/2013

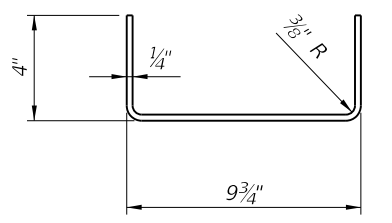


PLAN VIEW



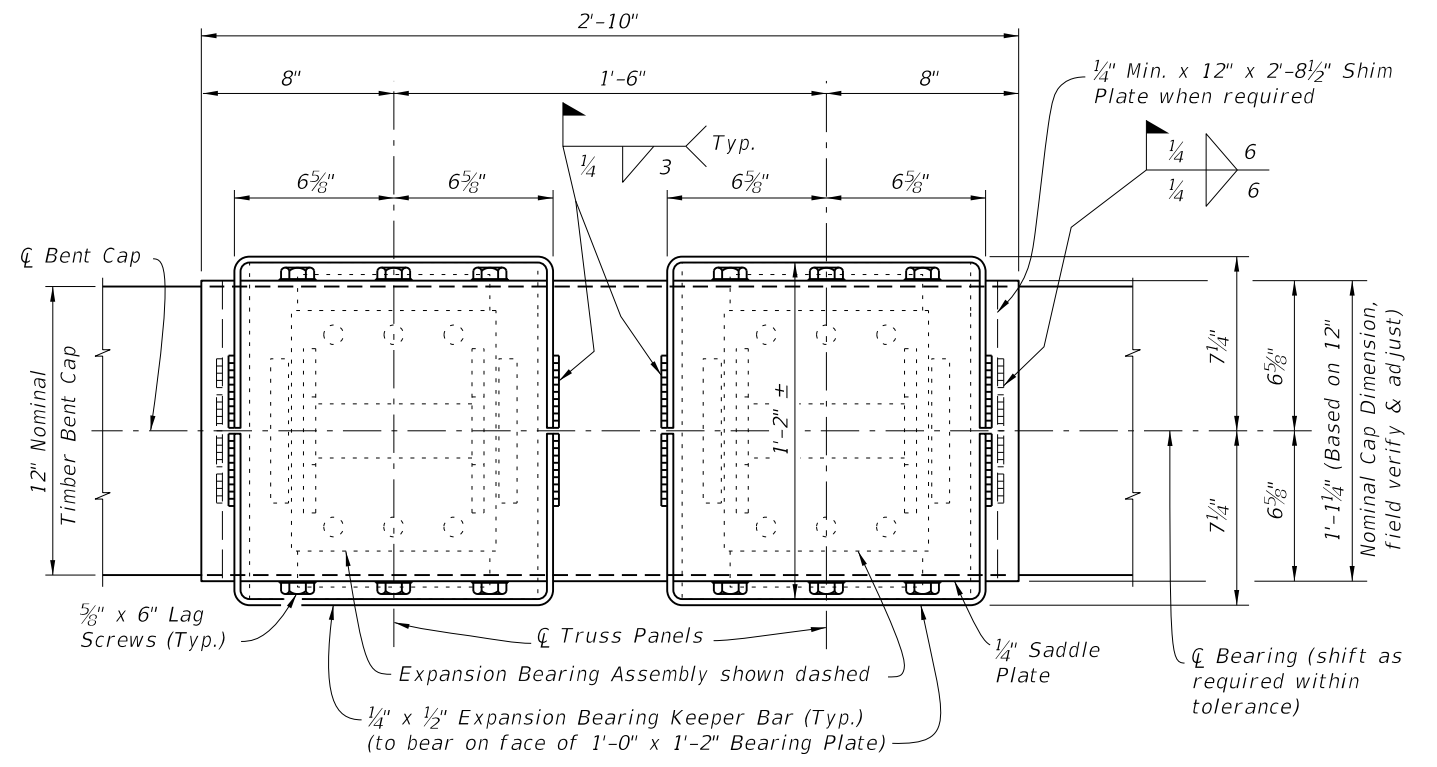
ELEVATION VIEW OF SADDLE PLATE

END VIEW

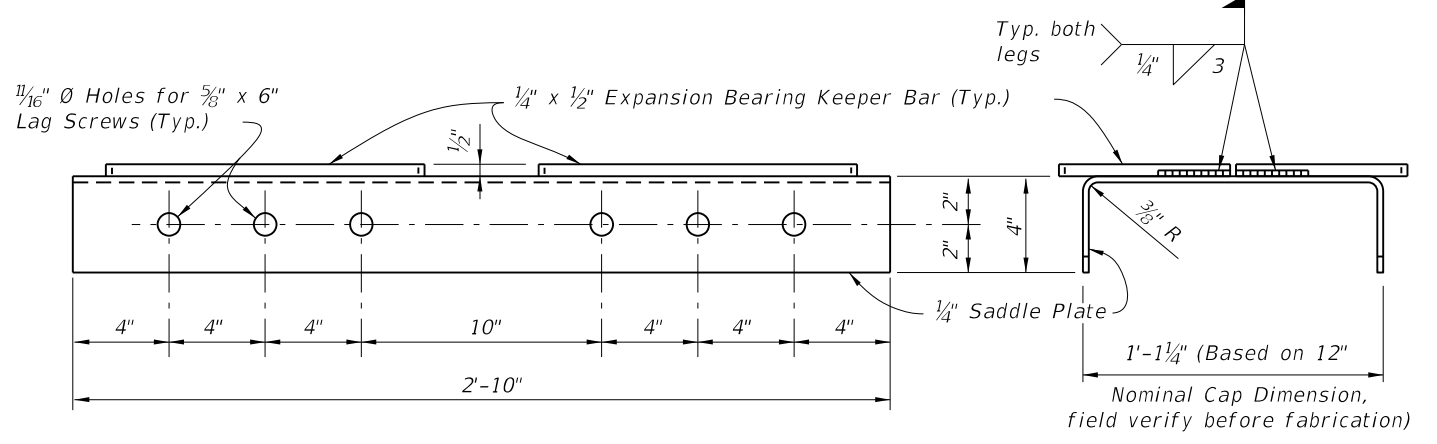


FIXED BEARING KEEPER BAR DETAIL

===== FIXED BEARING DETAILS =====

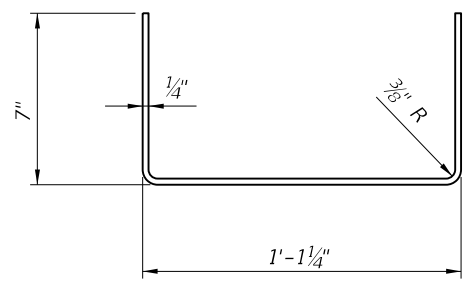


PLAN VIEW




ELEVATION VIEW OF SADDLE PLATE

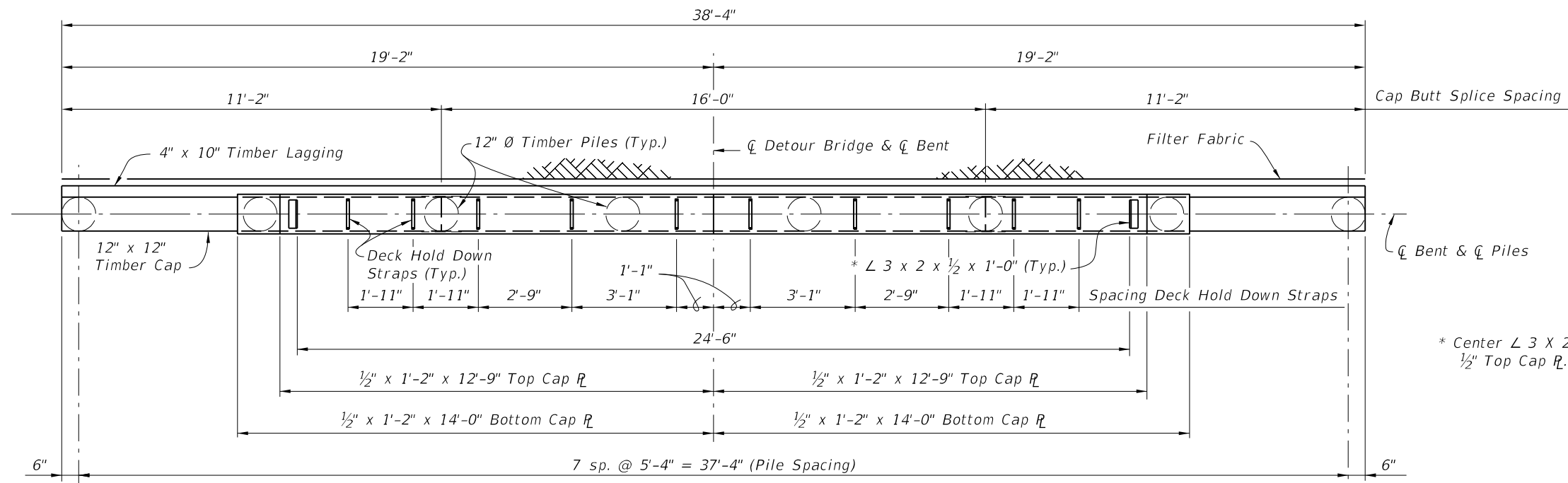
END VIEW



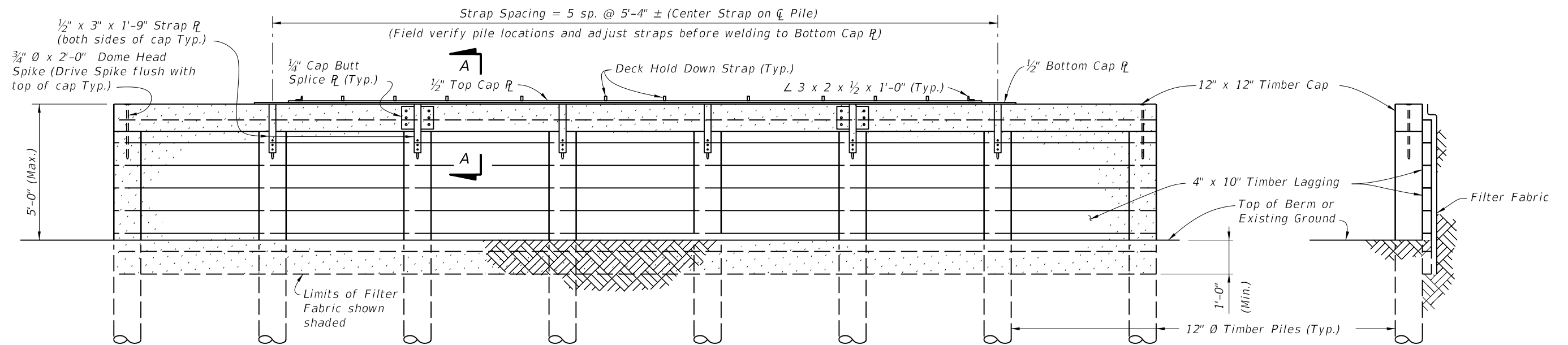
EXPANSION BEARING KEEPER BAR DETAIL

===== EXPANSION BEARING DETAILS =====

LAST REVISION	REVISION	DESCRIPTION:	 FDOT 2014 DESIGN STANDARDS	TEMPORARY DETOUR BRIDGE DETAILS TIMBER PILE FOUNDATIONS	INDEX NO. 21610	SHEET NO. 1 of 3
07/01/06						



PLAN VIEW




ELEVATION VIEW

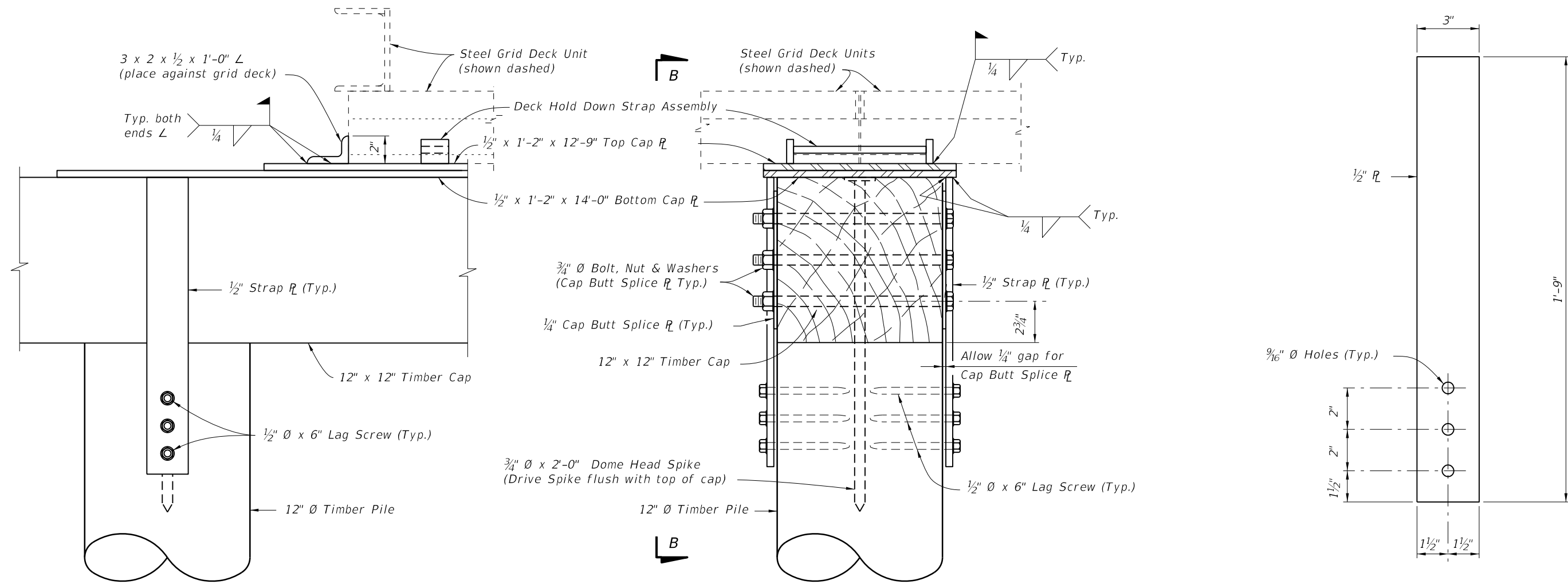
END VIEW

BACKWALL BENT DETAILS

C:\projects\standards\structures\current\ready\4release\2014\B00K\21610-2of3.dgn 6/24/2013 8:01:58 PM sm970re

LAST REVISION	07/01/06	DESCRIPTION:	 FDOT 2014 DESIGN STANDARDS	TEMPORARY DETOUR BRIDGE DETAILS TIMBER PILE FOUNDATIONS	INDEX NO. 21610	SHEET NO. 2 of 3
---------------	----------	--------------	---	--	---------------------------	----------------------------

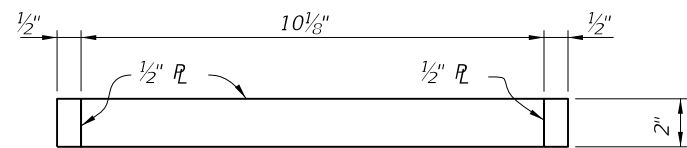
6/24/2013 8:02:00 PM sm970re C:\projects\standards\structures\current\ready\4release\2014B00K\21610-3of3.dgn



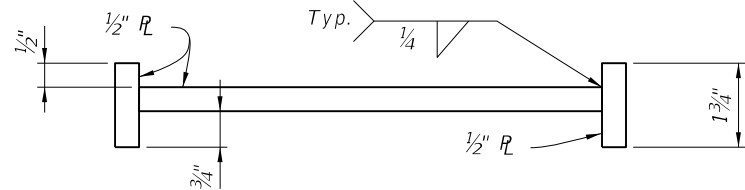
**VIEW B-B
(SHOWING END OF CAP PLATES)**

SECTION A-A

STRAP PLATE DETAIL

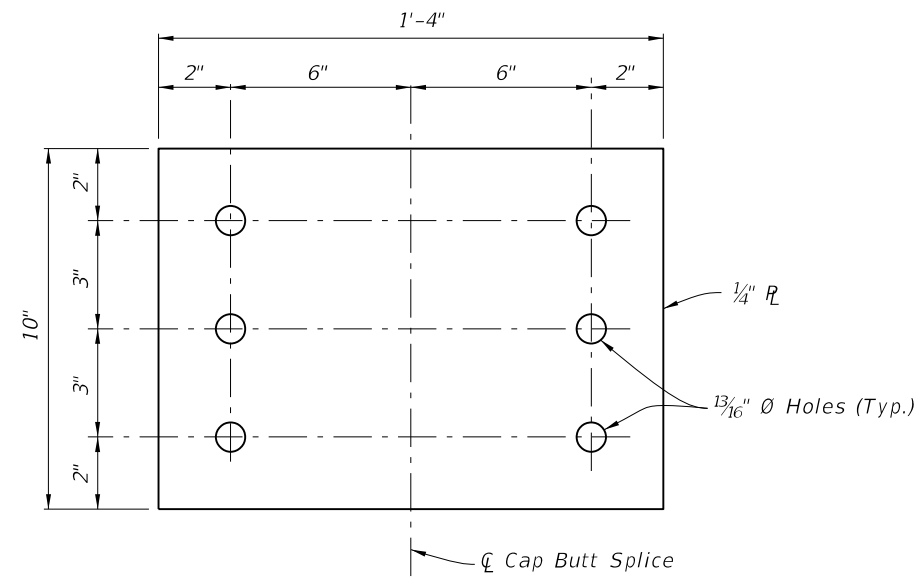


PLAN VIEW




ELEVATION VIEW

HOLD DOWN STRAP ASSEMBLY DETAIL



CAP BUTT SPLICE PLATE DETAIL

BACKWALL BENT DETAILS

LAST REVISION 07/01/06	REVISION	DESCRIPTION:	 <p>FDOT 2014 DESIGN STANDARDS</p>	<p>TEMPORARY DETOUR BRIDGE DETAILS TIMBER PILE FOUNDATIONS</p>	<p>INDEX NO. 21610</p>	<p>SHEET NO. 3 of 3</p>
---------------------------	----------	--------------	--	---	-----------------------------------	------------------------------------