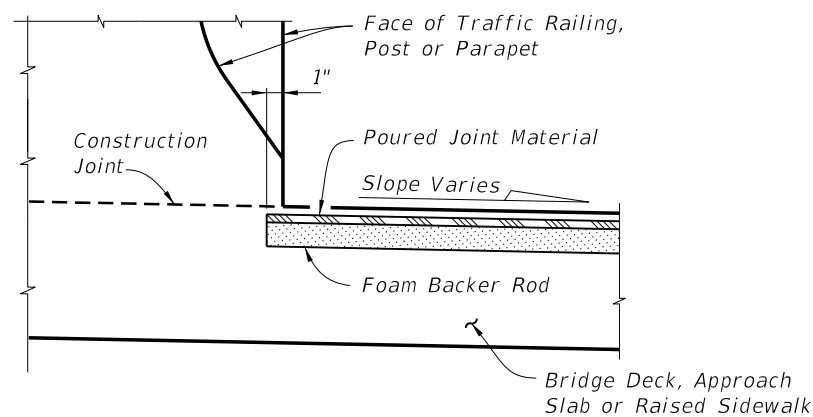
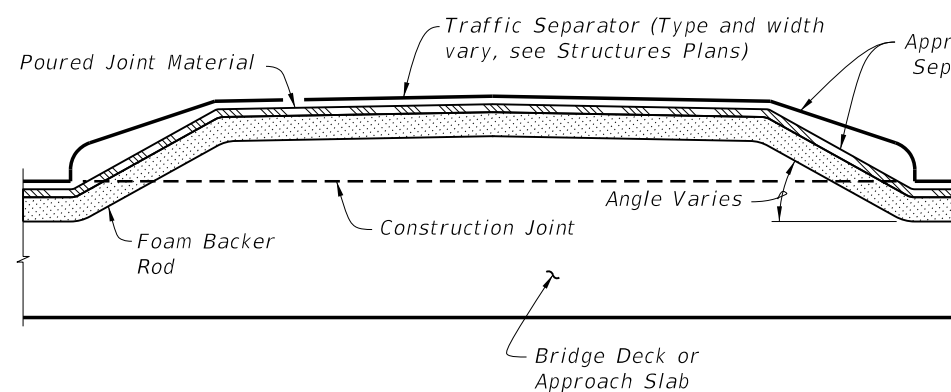


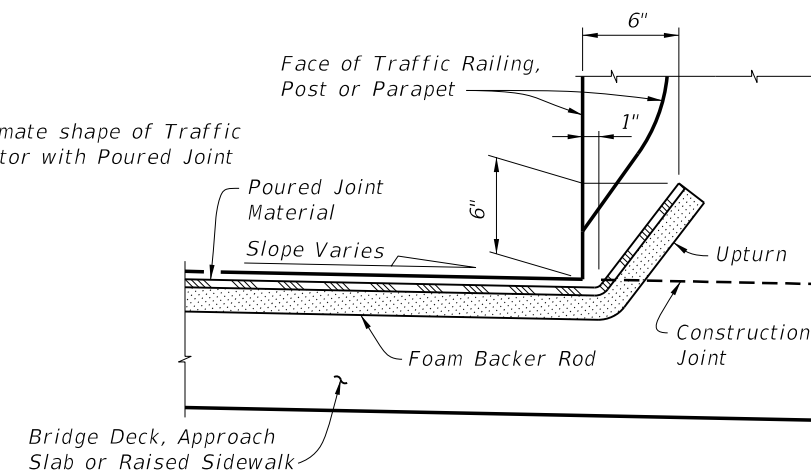
C:\projects\standards\structures\current\ready\4\release\2014\B00K\21110-1of2.dgn
sm970re
7:58:35 PM
6/24/2013



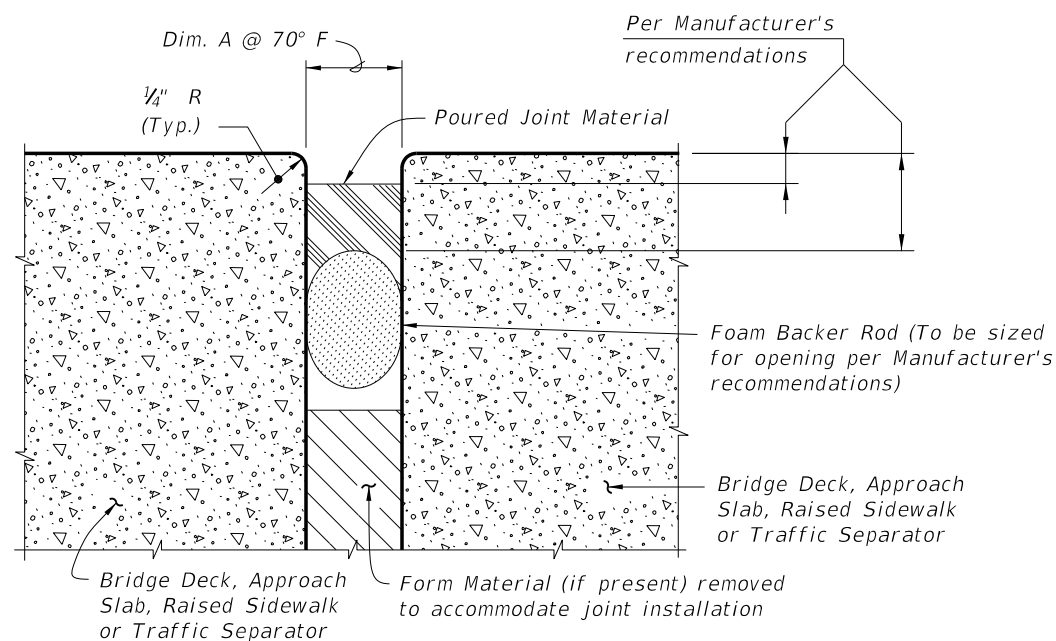
PARTIAL SECTION ALONG Q JOINT
JOINT TREATMENT AT HIGH SIDE OF
DECK WITH SLOPES 2% OR GREATER



PARTIAL SECTION ALONG Q JOINT,
JOINT TREATMENT AT TRAFFIC SEPARATOR



PARTIAL SECTION ALONG Q JOINT
JOINT TREATMENT AT LOW SIDE OF DECK OR
HIGH SIDE OF DECK WITH SLOPES < 2%



TYPICAL SECTION THRU JOINT

GENERAL NOTES:

1. Furnish Poured Joint With Backer Rod Expansion Joint Systems in accordance with Specification Section 458 and 932.
2. Submit shop drawings for Sidewalk Cover Plates showing all materials and project specific details and dimensions.
3. Refer to Specification Section 458 for installation and construction requirements.
4. Refer to the Structures Plans, Poured Expansion Joint Data Table for Dim. A @ 70° F.

LAST
REVISION
01/01/11

REVISION

DESCRIPTION:



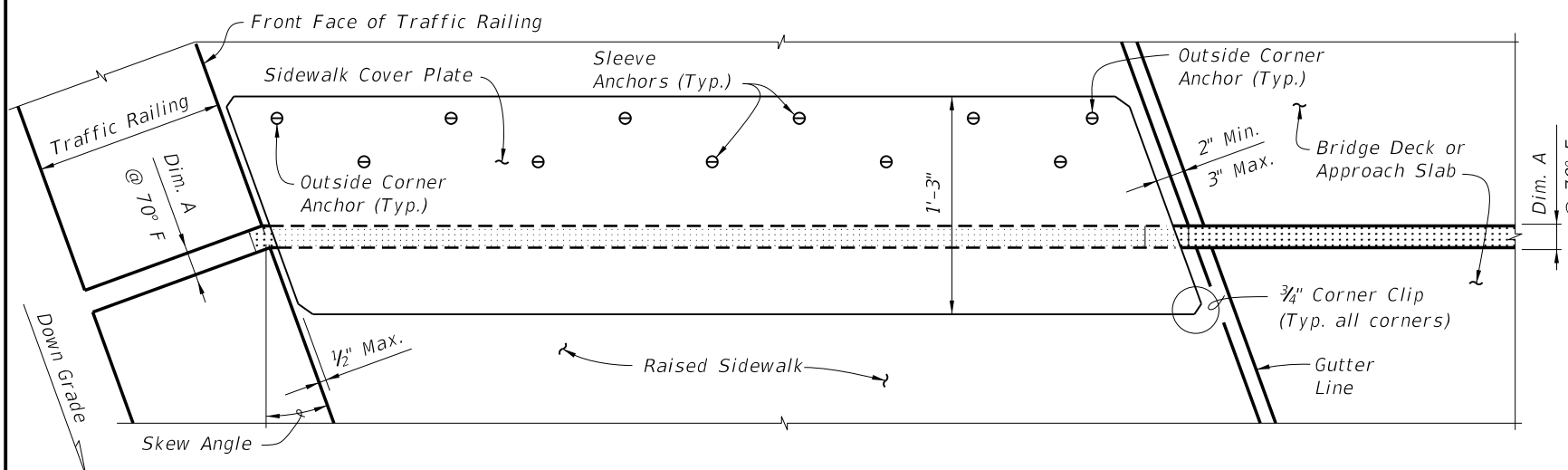
FDOT 2014
DESIGN STANDARDS

POURED JOINT WITH BACKER ROD
EXPANSION JOINT SYSTEM

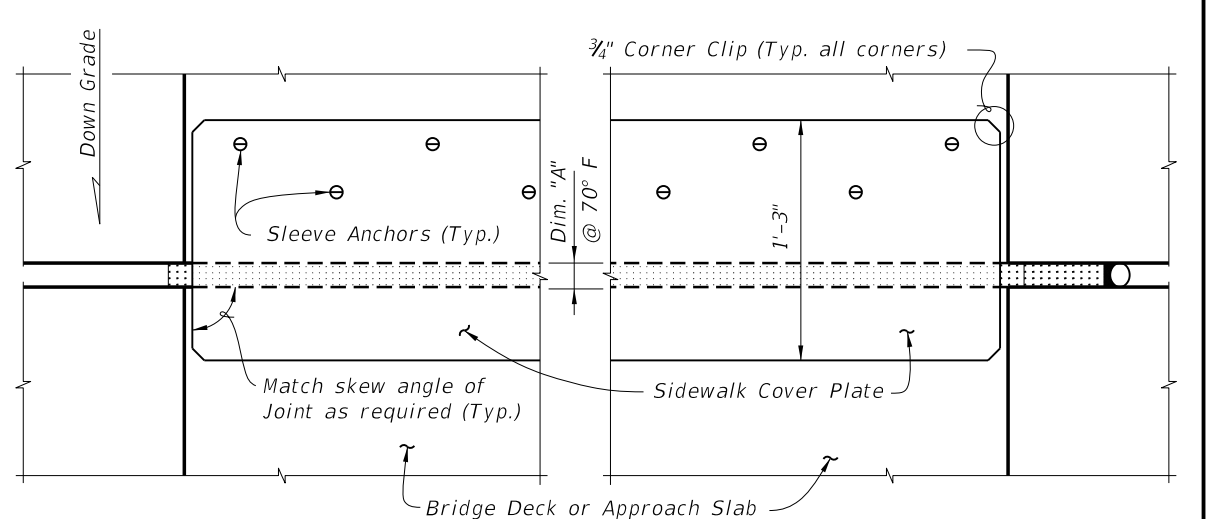
INDEX
NO.
21110

SHEET
NO.
1 of 2

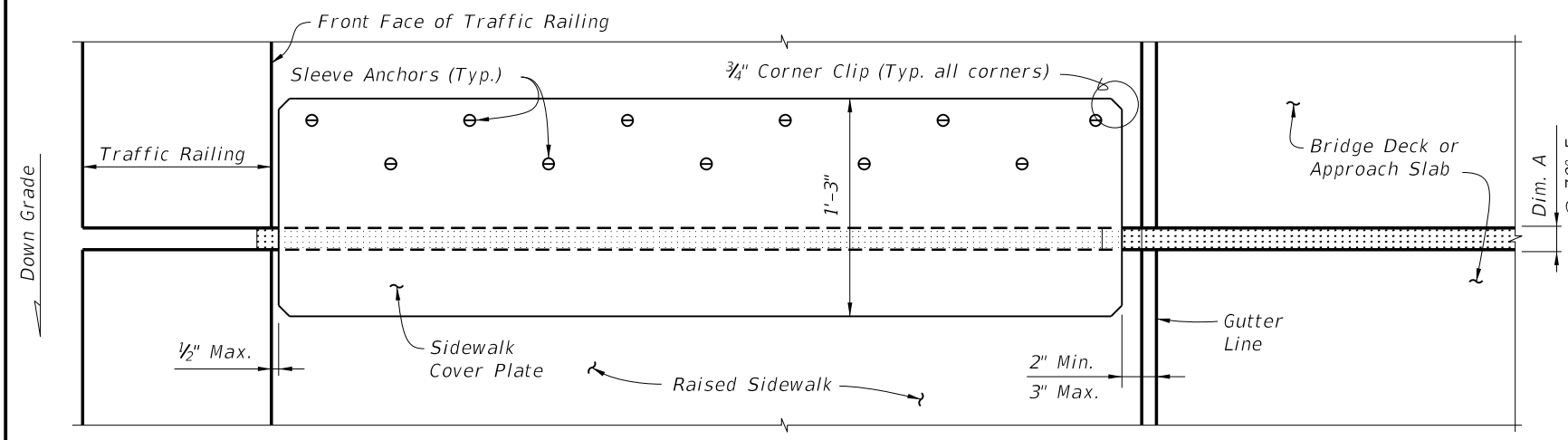
C:\projects\standards\structures\current\ready\4release\2014BOOK\21110-2of2.dgn
 sm970re
 7:58:37 PM
 6/24/2013



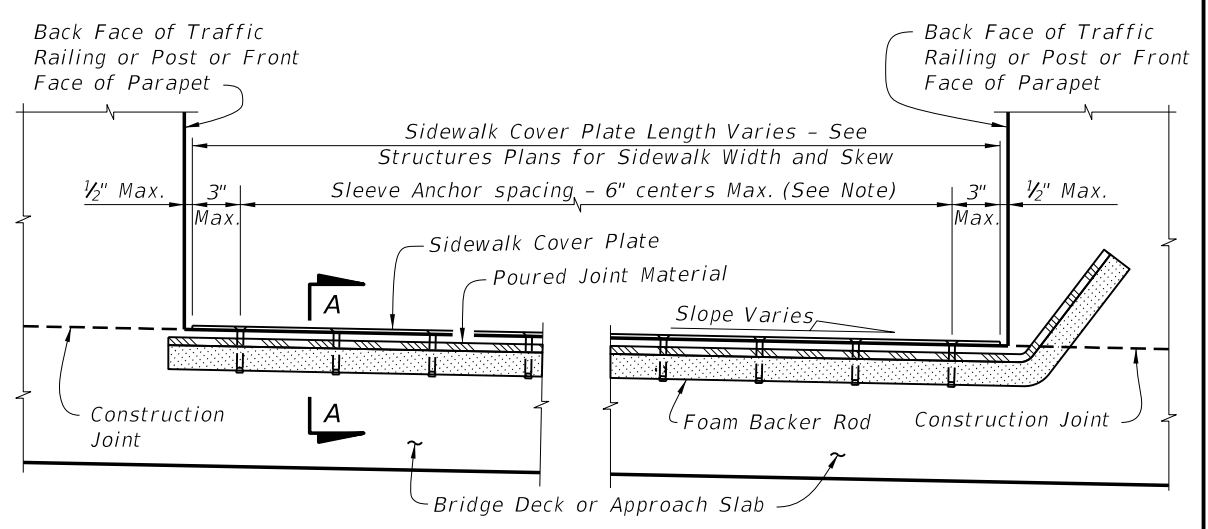
PARTIAL PLAN VIEW OF SKEWED JOINTS



PARTIAL PLAN VIEW

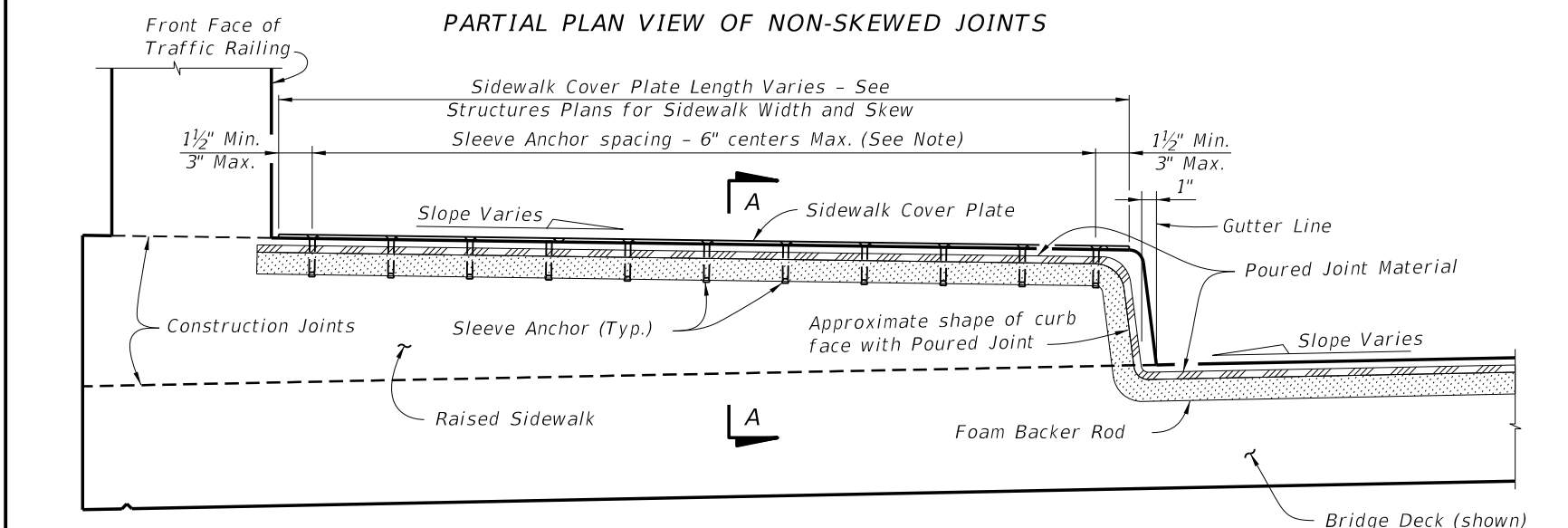


PARTIAL PLAN VIEW OF NON-SKEWED JOINTS



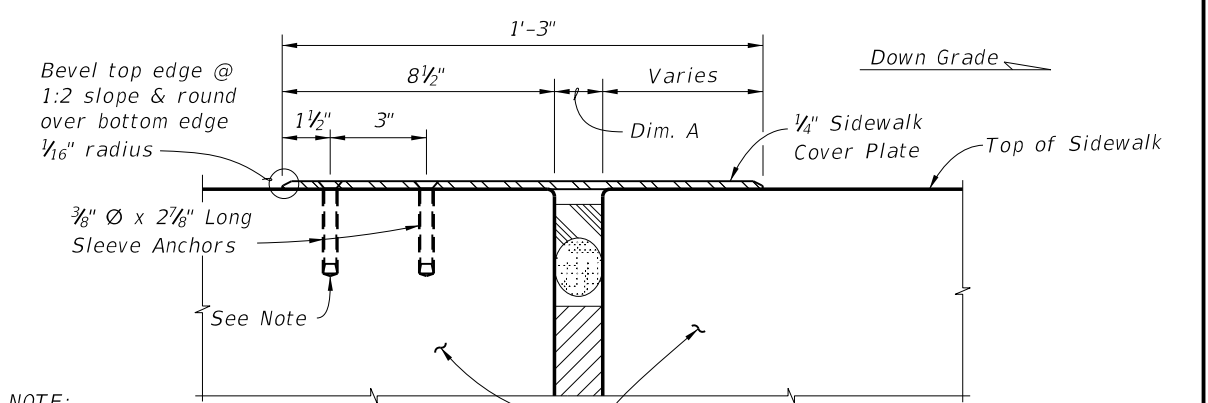
PARTIAL SECTION ALONG Q-JOINT

FLUSH SIDEWALK DETAIL




PARTIAL SECTION ALONG Q-JOINT

RAISED SIDEWALK DETAIL



NOTE:
 Sleeve Anchors are required at the two outside corners of the Sidewalk Cover Plate. Space Sleeve Anchors uniformly between the corner anchors.

SECTION A-A

LAST REVISION	07/01/13	DESCRIPTION:	 FDOT 2014 DESIGN STANDARDS	POURED JOINT WITH BACKER ROD EXPANSION JOINT SYSTEM	INDEX NO. 21110	SHEET NO. 2 of 2
---------------	----------	--------------	--	---	---------------------------	----------------------------