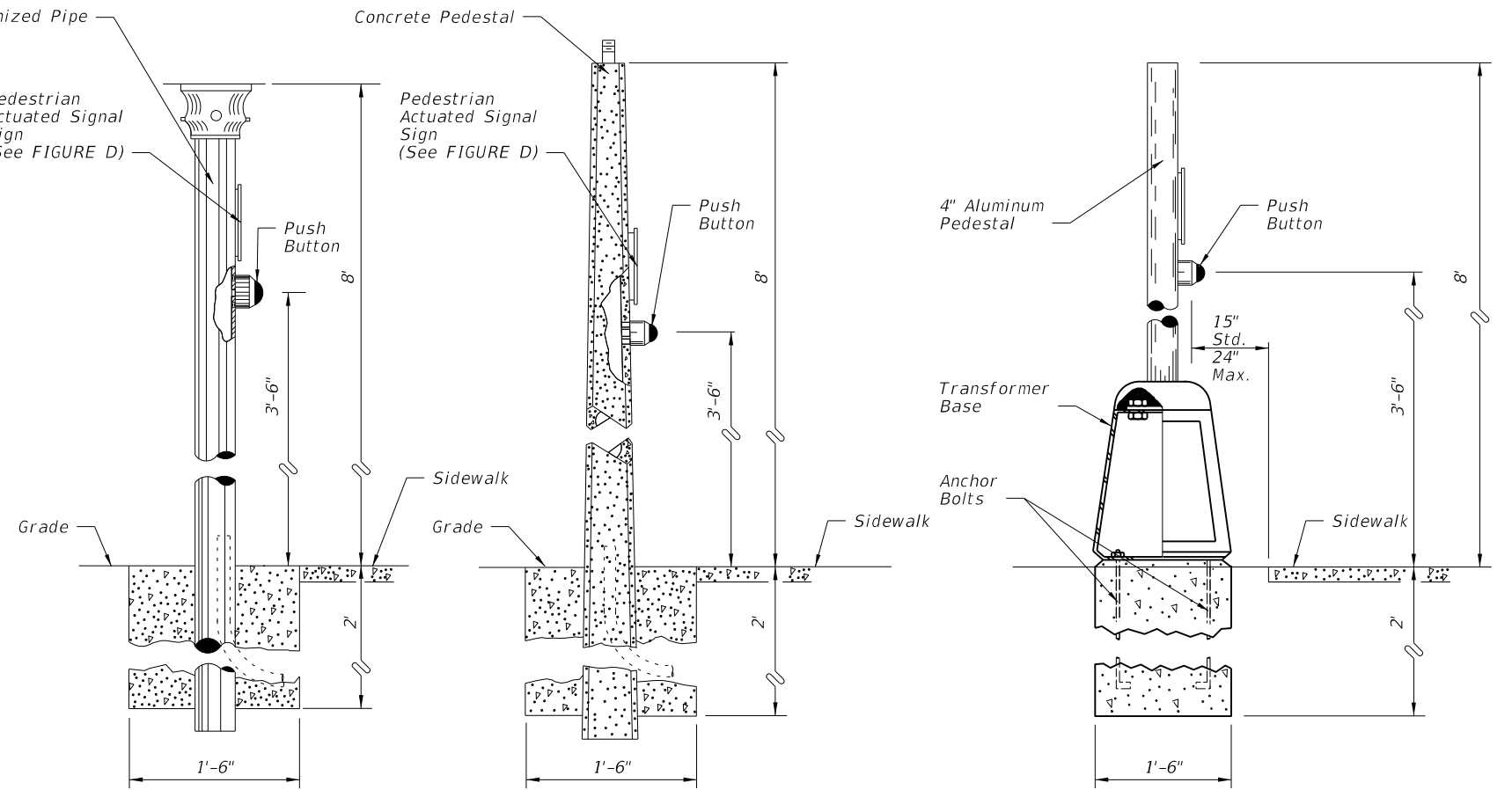
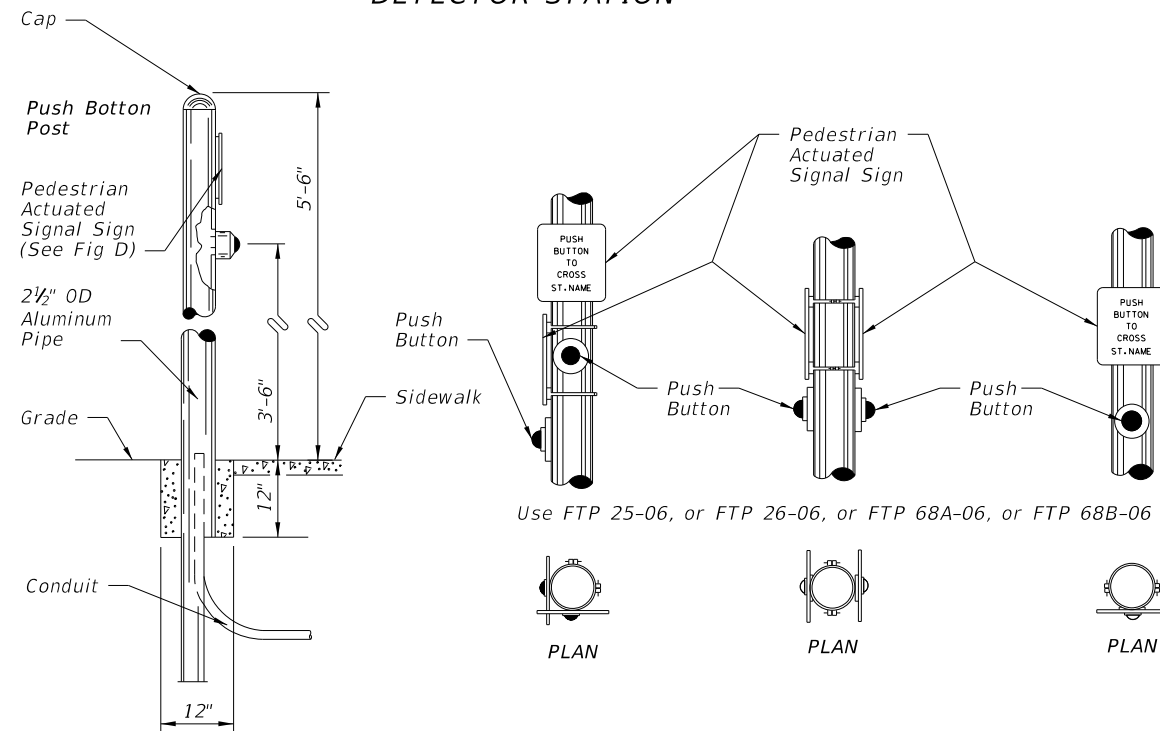


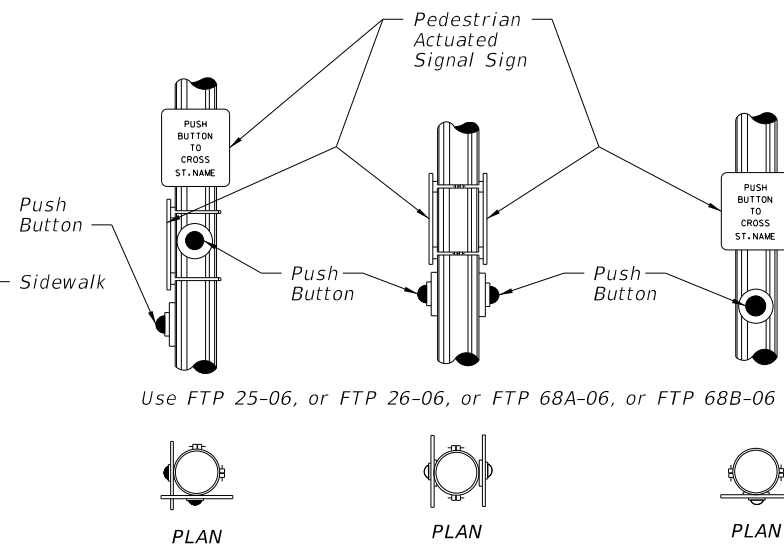
**FIGURE A  
POLE MOUNTED  
DETECTOR STATION**



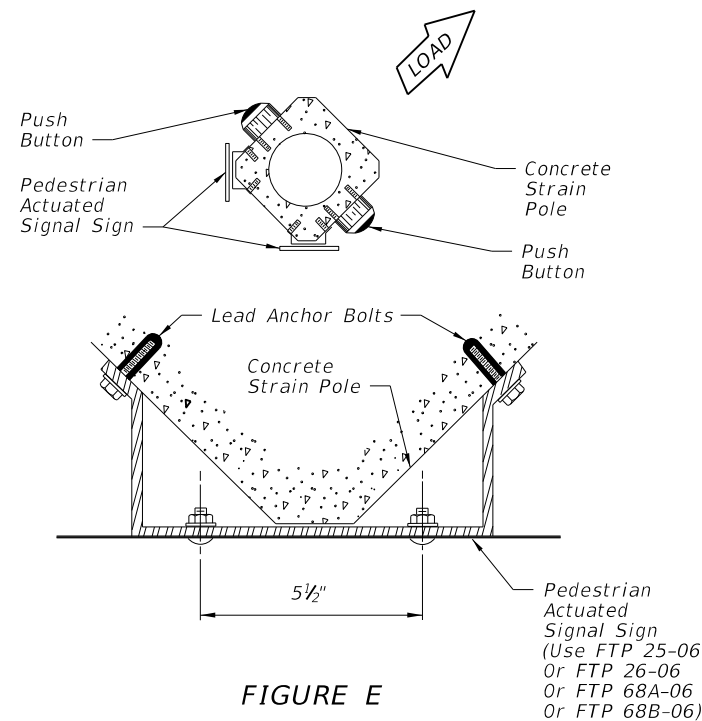
**FIGURE B  
PEDESTAL STATION  
DETECTOR STATION**



**FIGURE C  
POST DETECTOR STATION  
DETECTOR STATION**



**FIGURE D**



**FIGURE E**


**Notes:**

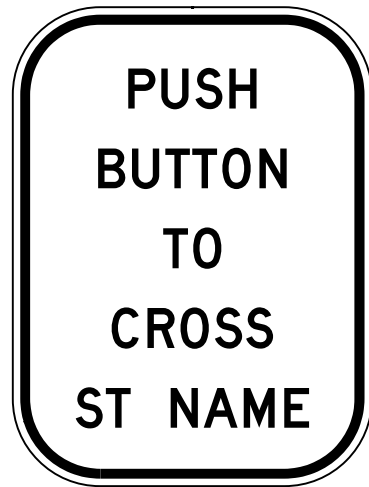
1. Payment for sign is included in the price for the pedestrian detector.
2. Signs shall be mounted above detectors, explaining their purpose and use.
3. The positioning of pedestrian push button should clearly indicate which crosswalk signal is actuated by each push button.
4. Push buttons and signs are to be mounted in accordance with Standard Specifications, section 665.
5. Meet all grounding requirements of Section 620 of the Standard Specifications.
6. A 30"X48" landing is required centered on each push button.

**Note To Designers:**

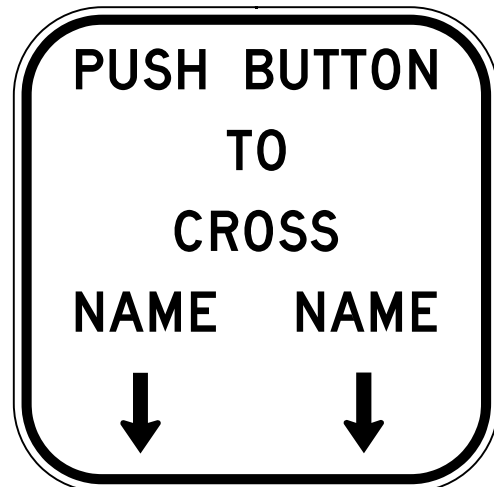
The designer should ensure the distance to the Push Button in FIGURE A & B is maintained. This distance can vary depending on post or pedestal type or whether a frangible base is used and sidewalk configuration. This is specified to meet Americans with Disabilities Act.

6/24/2013 7:31:54 PM sm970re C:\projects\standards\roadway\17700-s\17784-01.dgn

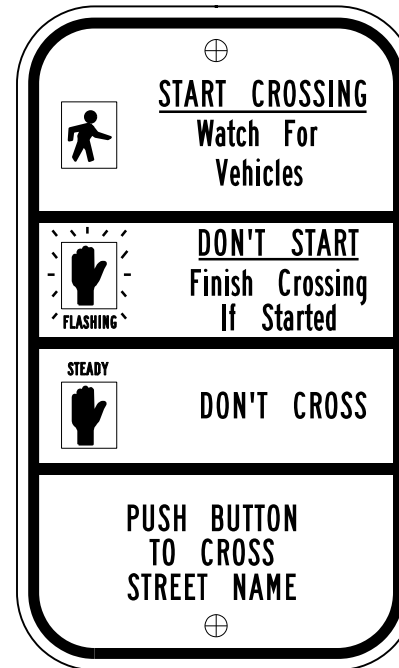
LAST REVISION	REVISION	DESCRIPTION:	 <p><b>FDOT 2014 DESIGN STANDARDS</b></p>	<p><b>PEDESTRIAN DETECTOR ASSEMBLY INSTALLATION DETAILS</b></p>	<p>INDEX NO. <b>17784</b></p>	<p>SHEET NO. <b>1 of 2</b></p>
01/01/12						



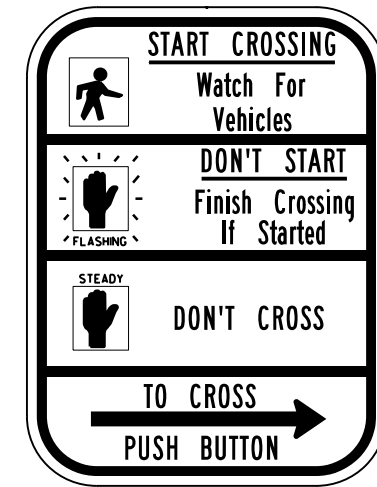
FTP-25-06



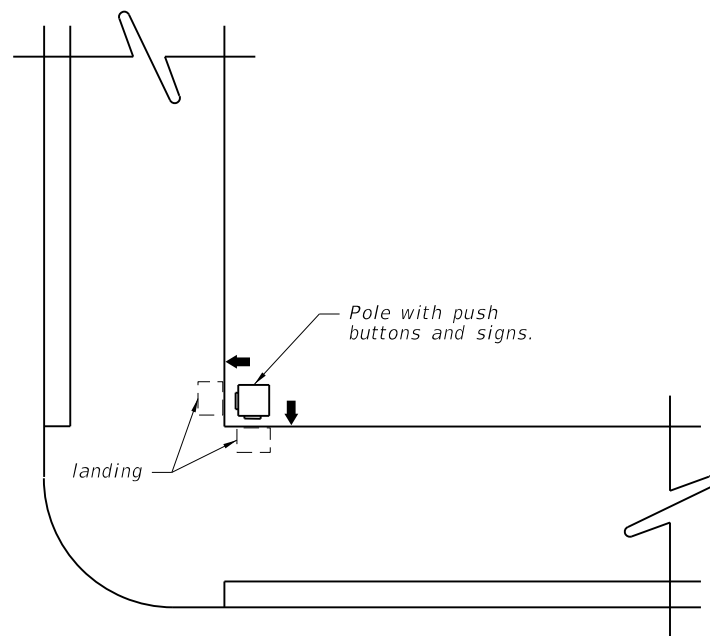
FTP-26-06



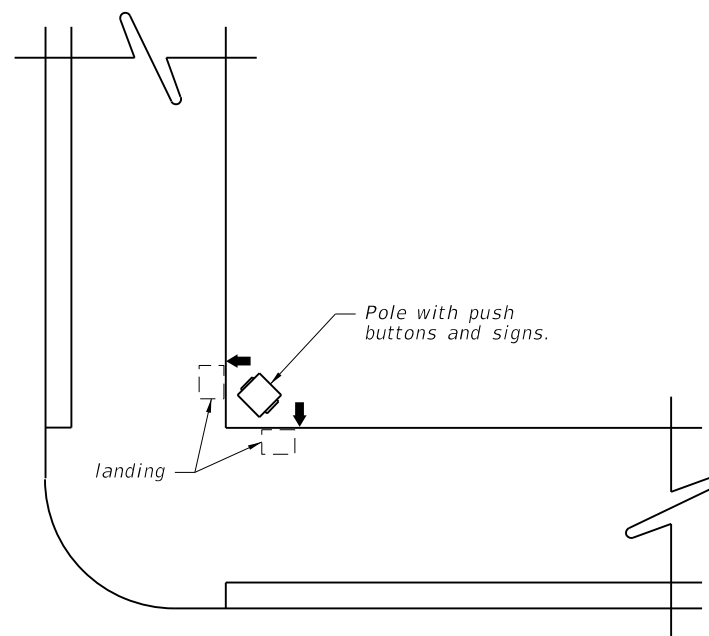
FTP-68A-06



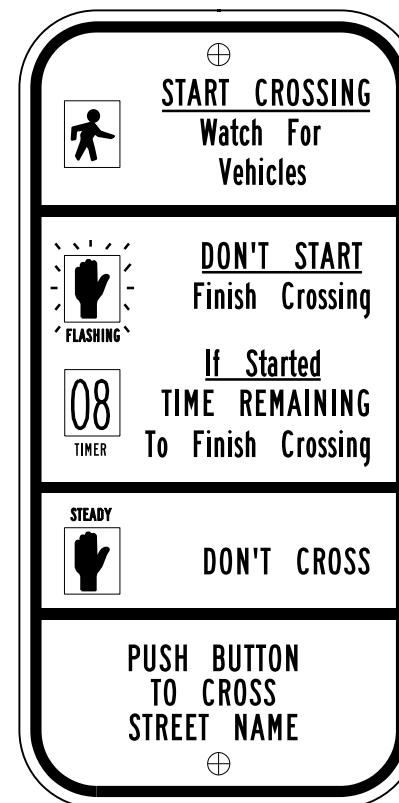
R10-3b  
(Use Only for Case I)



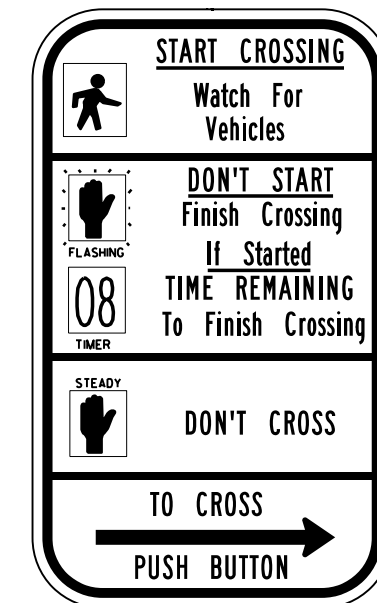
CASE I  
POLE PARALLEL TO CURBLINE  
ALTERNATE TO FIGURE E



CASE II  
POLE DIAGONAL TO CURBLINE  
ALTERNATE TO FIGURE E




FTP-68B-06



R10-3e  
(Use Only for Case I)

NOTE:  
1. Refer to the MANUAL ON UNIFORM TRAFFIC CONTROL DEVICES figure 2B-26 Pedestrian Signs, The STANDARD HIGHWAY SIGNS MANUAL (English) Sign R10-3b for Text Size, Spacing and Symbol size. Also see DESIGN STANDARDS Index 17355 for details of FTP signs.

6/24/2013 7:31:56 PM sm970re C:\projects\standards\roadway\17700-s\17784-02.dgn

LAST REVISION 07/01/12	REVISION	DESCRIPTION:	 <b>FDOT 2014</b> <b>DESIGN STANDARDS</b>	<b>PEDESTRIAN DETECTOR ASSEMBLY</b> <b>INSTALLATION DETAILS</b>	INDEX NO. <b>17784</b>	SHEET NO. <b>2 of 2</b>
---------------------------	----------	--------------	--	--	---------------------------	----------------------------