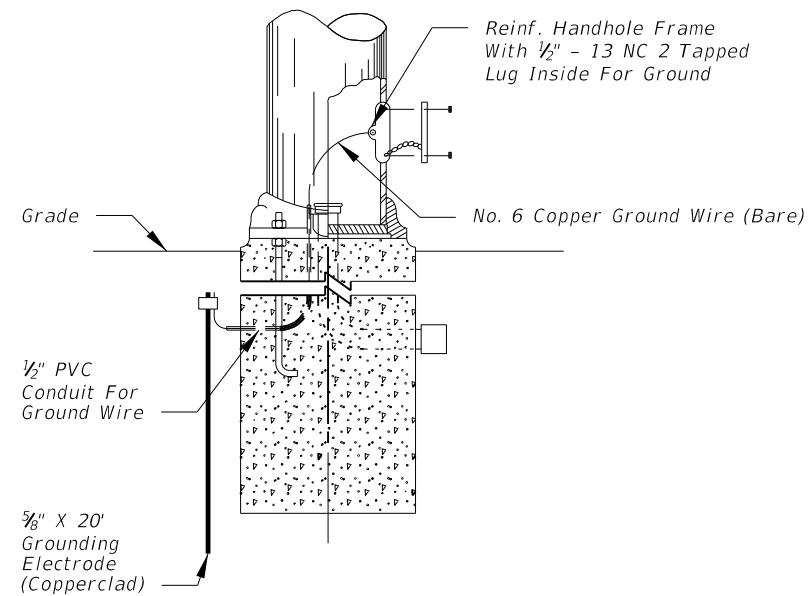
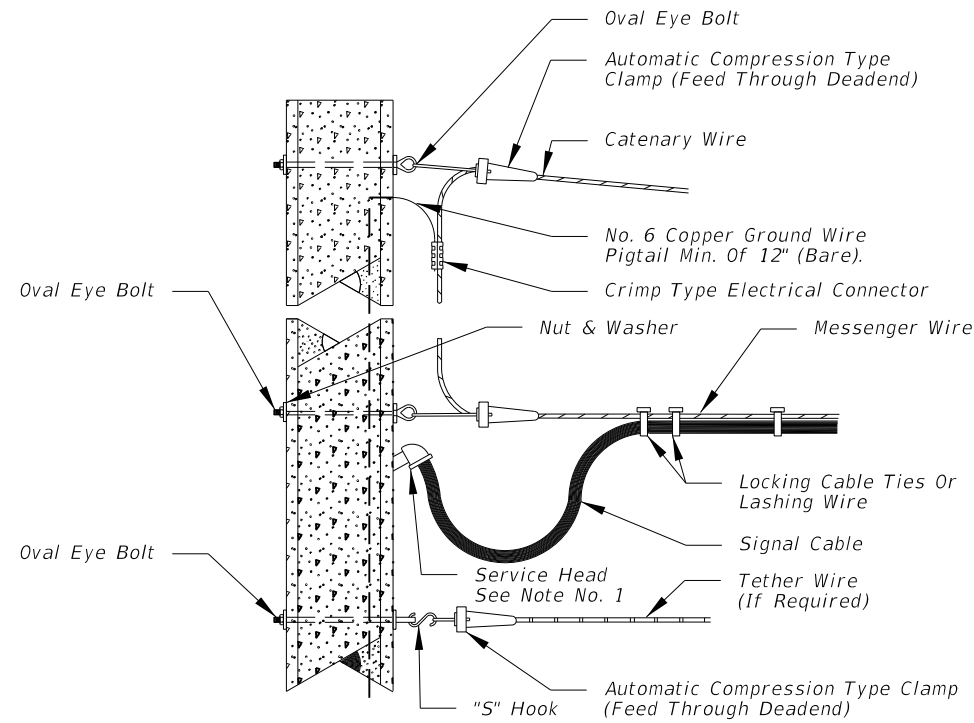
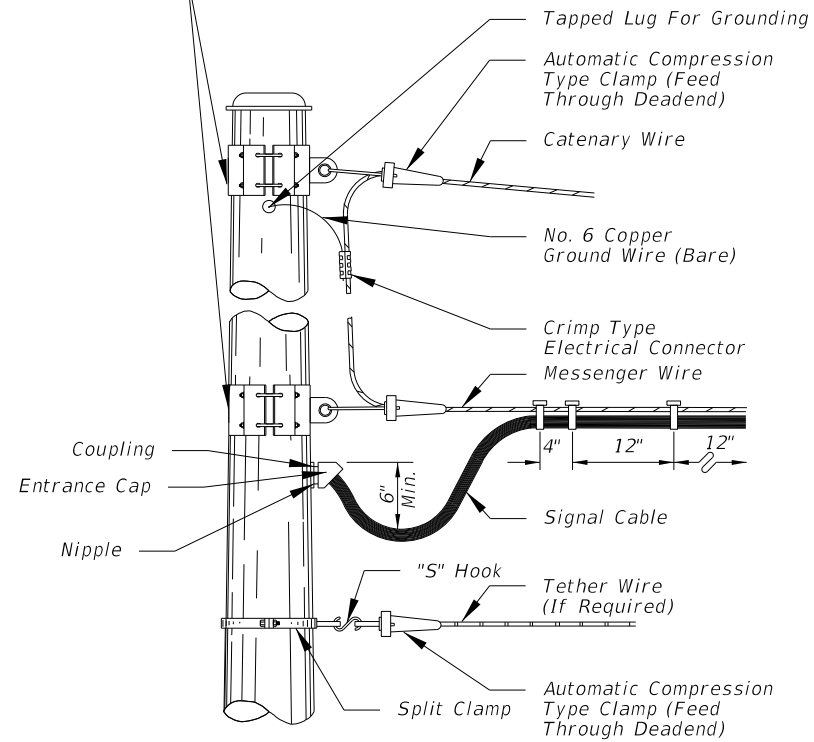
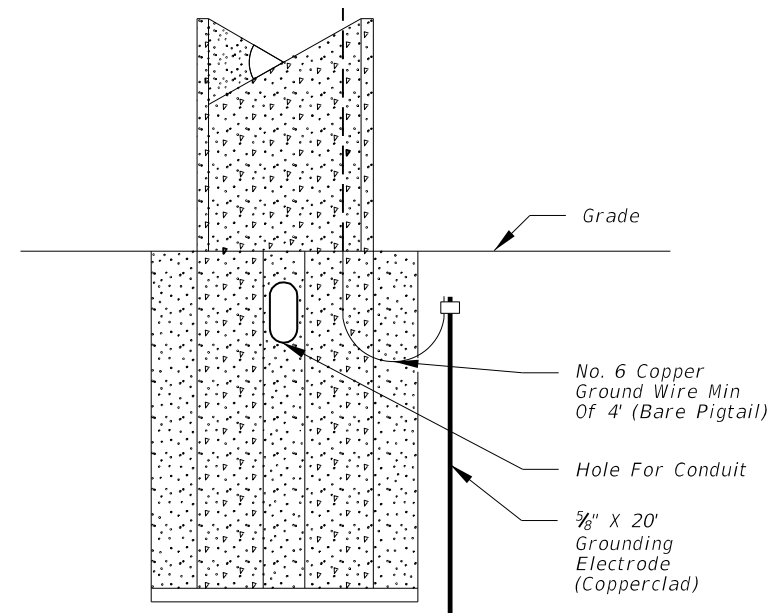


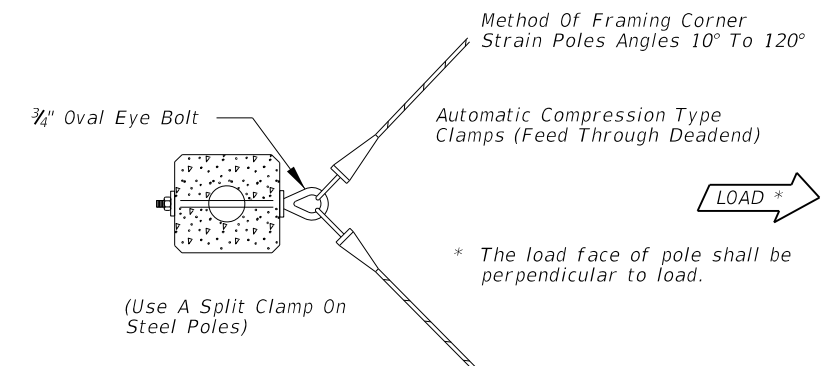
Clamp And Clevis
See Index 17723



STEEL POLE



PRESTRESSED CONCRETE POLE



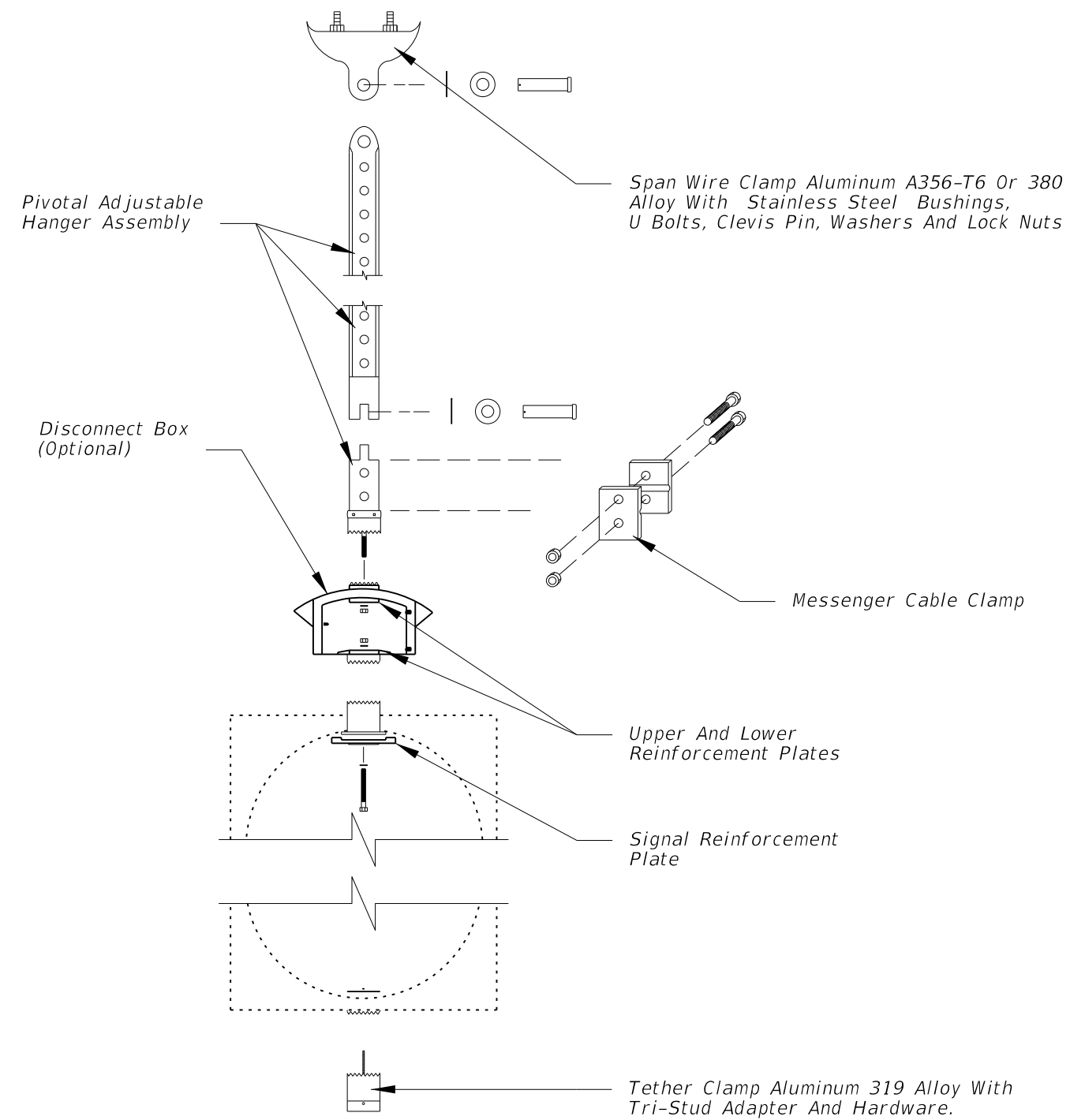
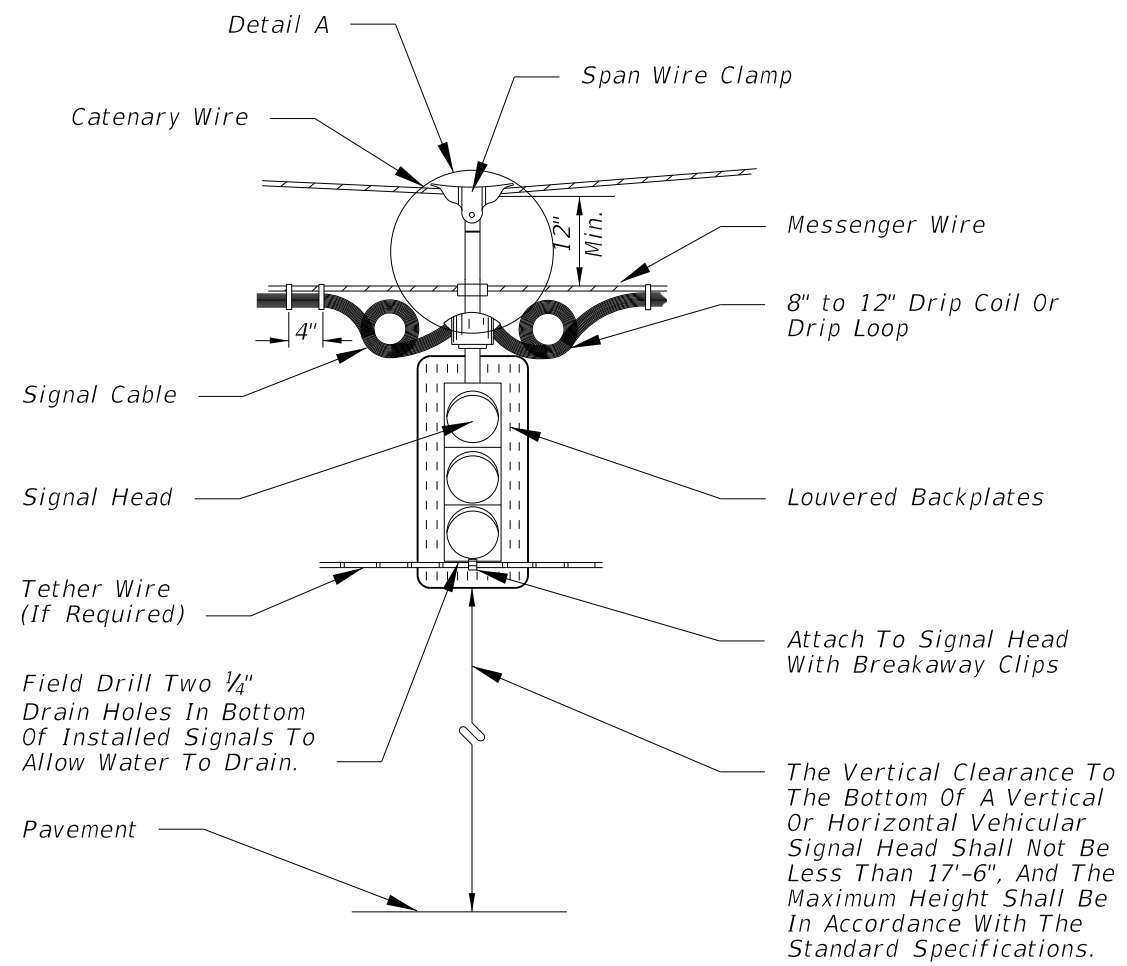
Notes:

1. With the approval of the resident engineer, the service head hole for joint use poles may be drilled by the utility company at an angle of 90° but not less than 45° to the face of the pole.
2. Lashing wire should normally be used for distances of 12' or greater.
3. All hardware for signal attachment shall be stainless steel.
4. Meet all grounding requirements of Section 620 of the Standard Specifications.

C:\projects\standards\roadway\17700-s\17727-01.dgn RD960CL 1:41:37 PM 11/1/2012

LAST REVISION	DESCRIPTION: R2013-03 Removed Singal Point Attachment And Revised Two Point Attachment		FDOT DESIGN STANDARDS 2013	SIGNAL CABLE & SPAN WIRE INSTALLATION DETAILS	INDEX NO. 17727	SHEET NO. 1
---------------	---	---	--------------------------------------	---	--------------------	----------------

C:\projects\standards\roadway\17700-s\17727-02.dgn
 RD960CL
 1:41:39 PM
 11/1/2012



Detail A

TWO POINT ATTACHMENT

- Notes:
1. With the approval of the resident engineer, the service head hole for joint use poles may be drilled by the utility company at an angle of 90° but not less than 45° to the face of the pole.
 2. Lashing wire should normally be used for distances of 12' or greater.
 3. The overlapped connection of adjustable hangers shall use a minimum of 2 bolts with a minimum spacing of 2" between bolts.
 4. Meet all grounding requirements of Section 620 of the Standard Specifications.

LAST REVISION 10/29/12	DESCRIPTION: R2013-03 Removed Singal Point Attachment And Revised Two Point Attachment	 FDOT DESIGN STANDARDS 2013	SIGNAL CABLE & SPAN WIRE INSTALLATION DETAILS	INDEX NO. 17727	SHEET NO. 2
----------------------------------	---	---	--	---------------------------	-----------------------