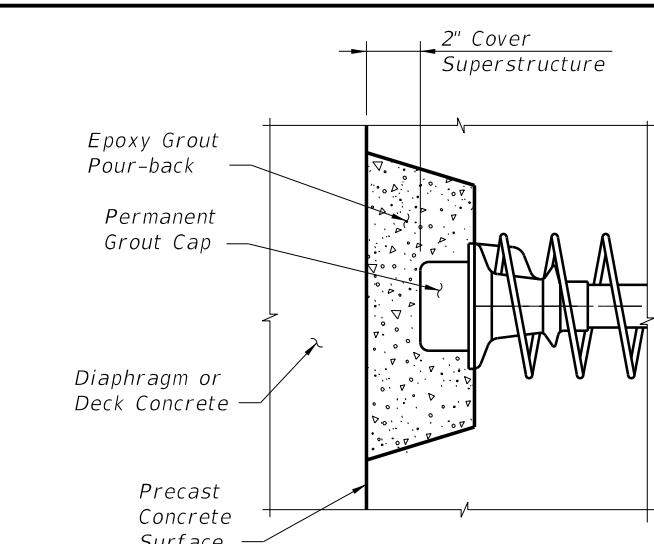
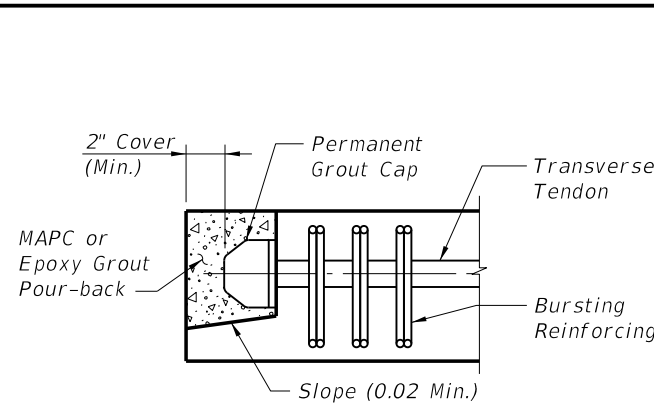


TYPE 1

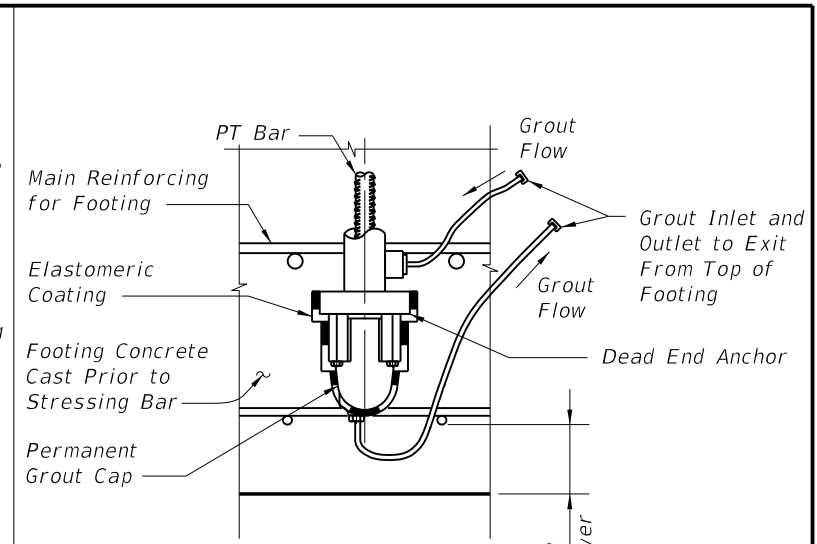


TYPE 2

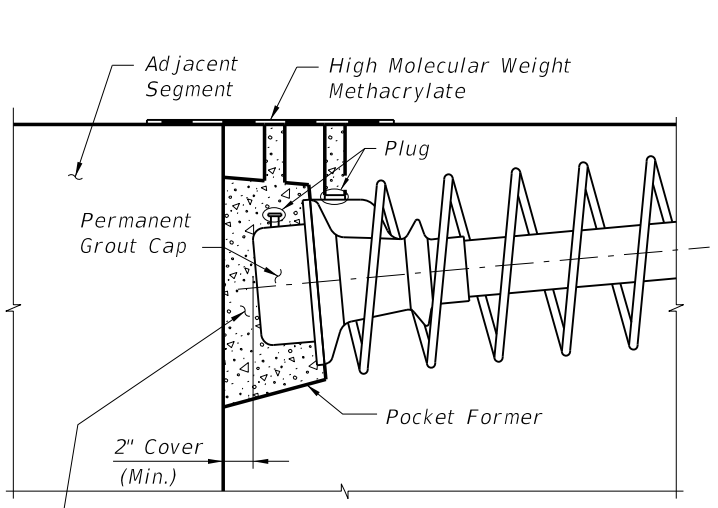


TYPE 7

- Type 7 Notes:  
 1. Traffic or Pedestrian/Bicycle Railing not shown for Clarity.  
 2. Where Pour-back is not protected by Traffic or Pedestrian/Bicycle Railing, Coat Pour-back with High Molecular Weight Methacrylate.

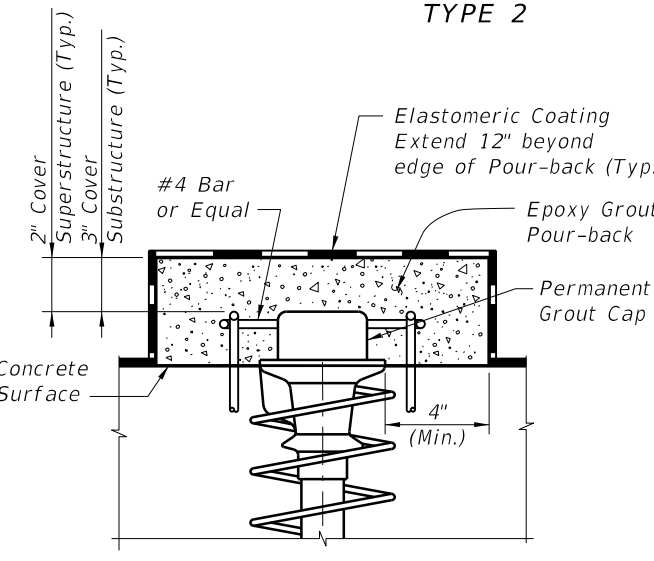


TYPE 8

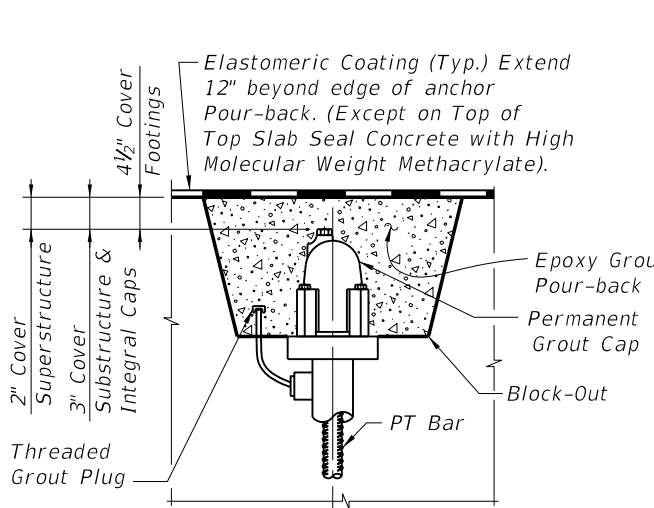


TYPE 3

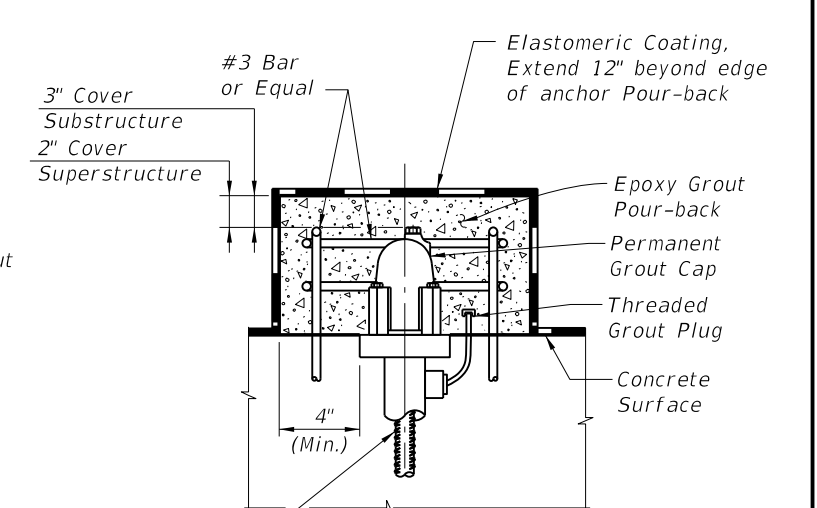
Epoxy Grout Pour-back placed after permanent tendons anchored in adjacent segment have been stressed



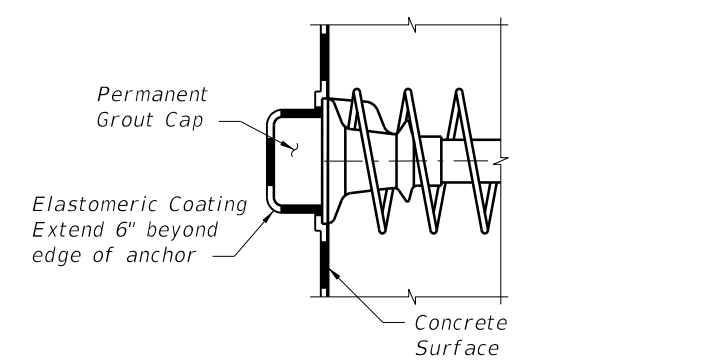
TYPE 4



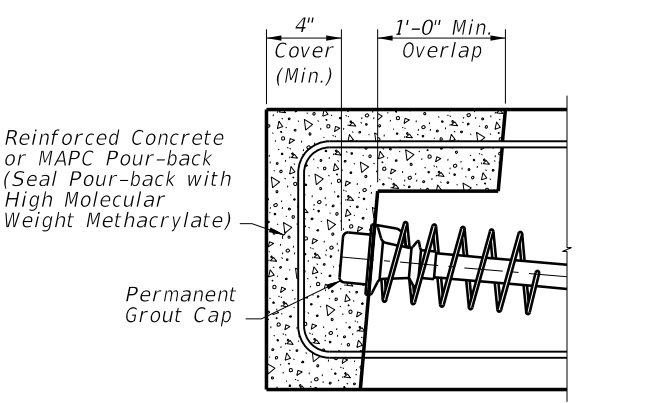
TYPE 9



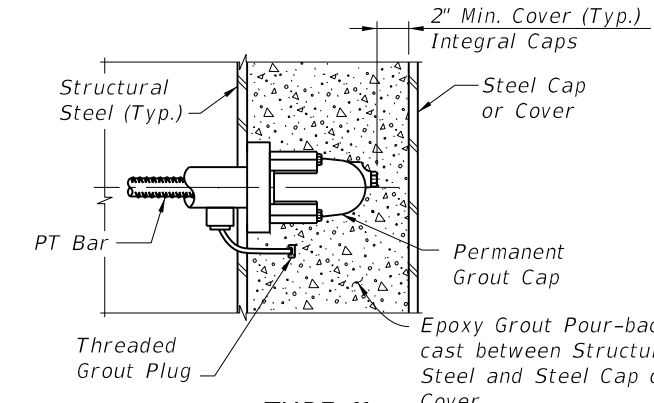
TYPE 10



TYPE 5

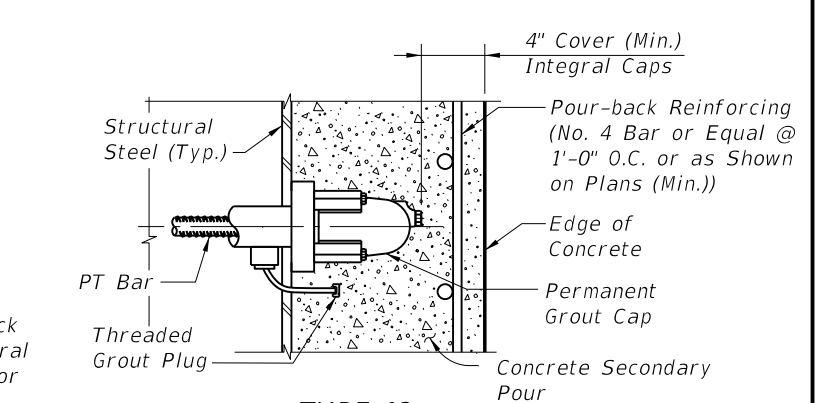


TYPE 6



TYPE 11

(Shear Studs not Shown for Clarity)




TYPE 12

(Shear Studs not Shown for Clarity)

ANCHOR PROTECTION FOR PT TENDONS

ANCHOR PROTECTION FOR PT BARS

6/29/2012 1:18:38 PM rd960rhc:\projects\standards\structures\2013book\21802-1of1.dgn

LAST REVISION	DESCRIPTION:	 <b>FDOT DESIGN STANDARDS</b> 2013	<b>POST-TENSIONING ANCHORAGE PROTECTION</b>		INDEX NO.	SHEET NO.
01/01/12	REVISION				21802	1