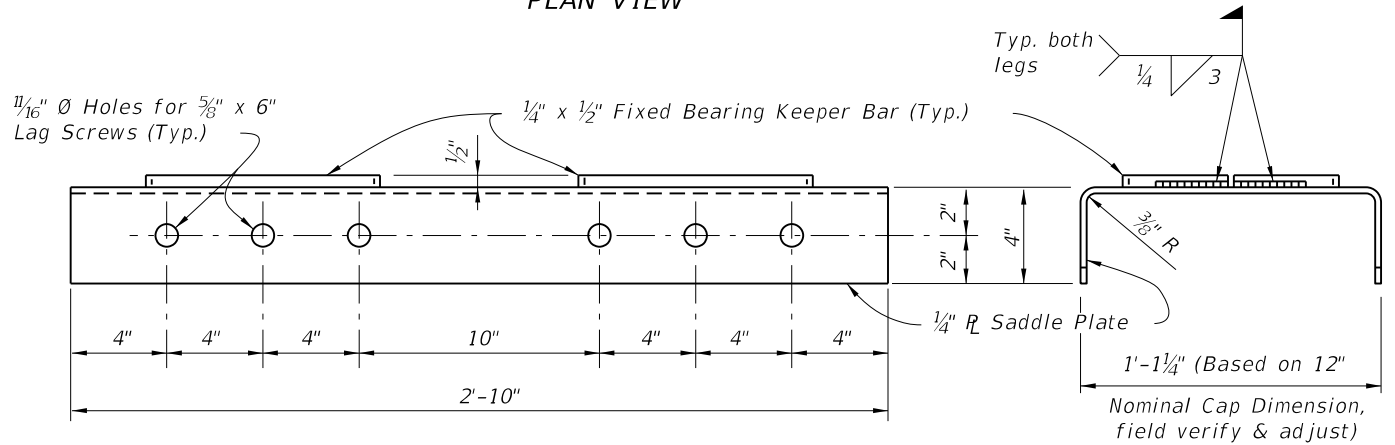
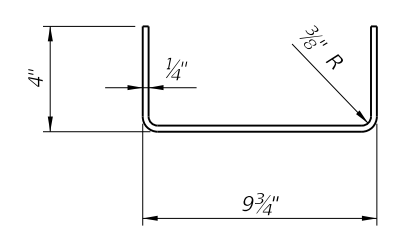


PLAN VIEW



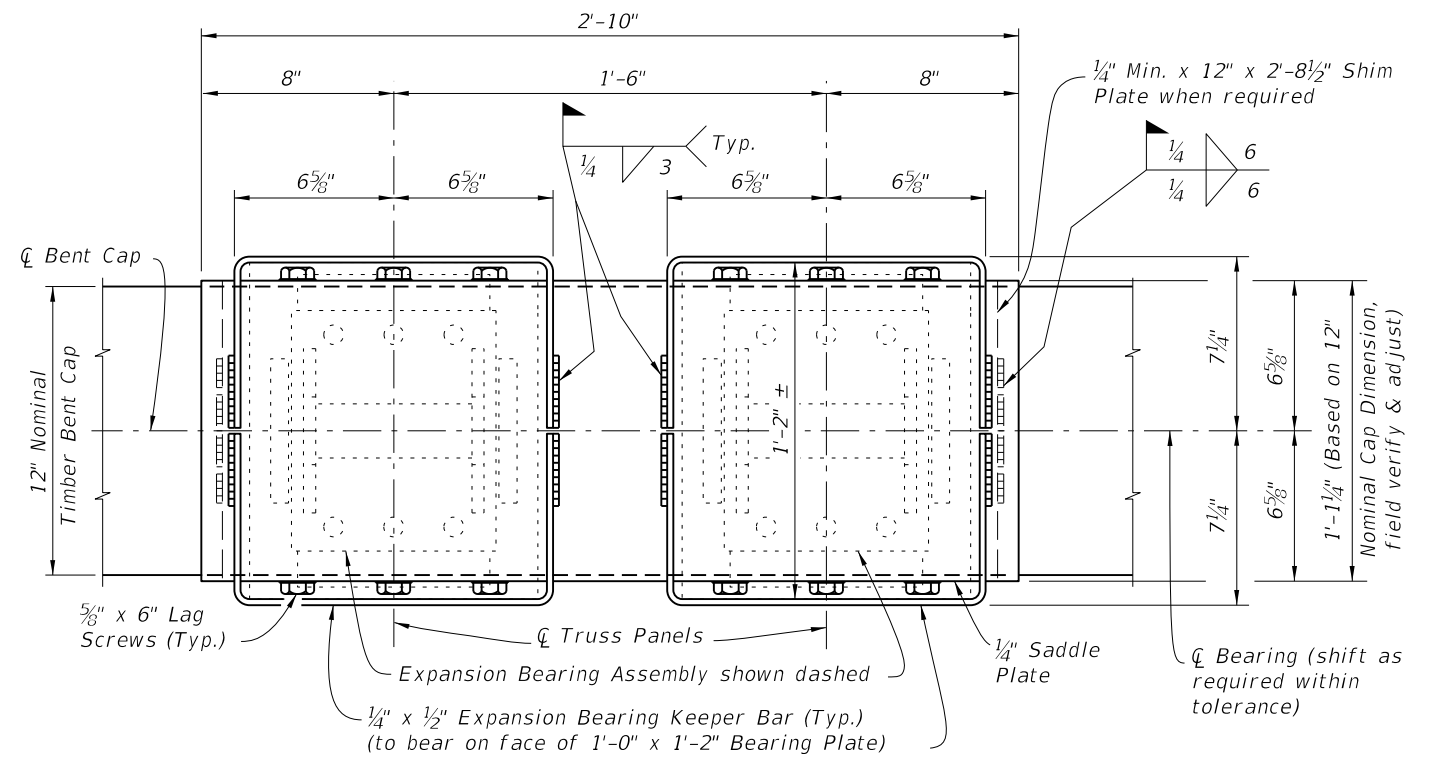
ELEVATION VIEW OF SADDLE PLATE

END VIEW

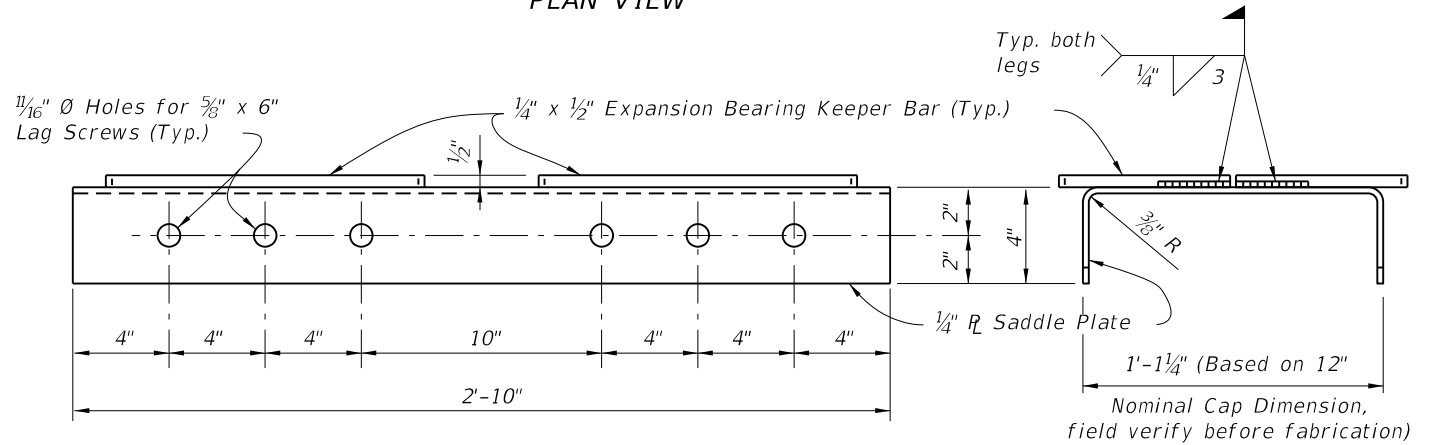


FIXED BEARING KEEPER BAR DETAIL

FIXED BEARING DETAILS

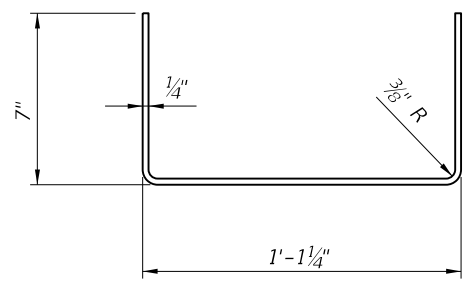


PLAN VIEW



ELEVATION VIEW OF SADDLE PLATE

END VIEW

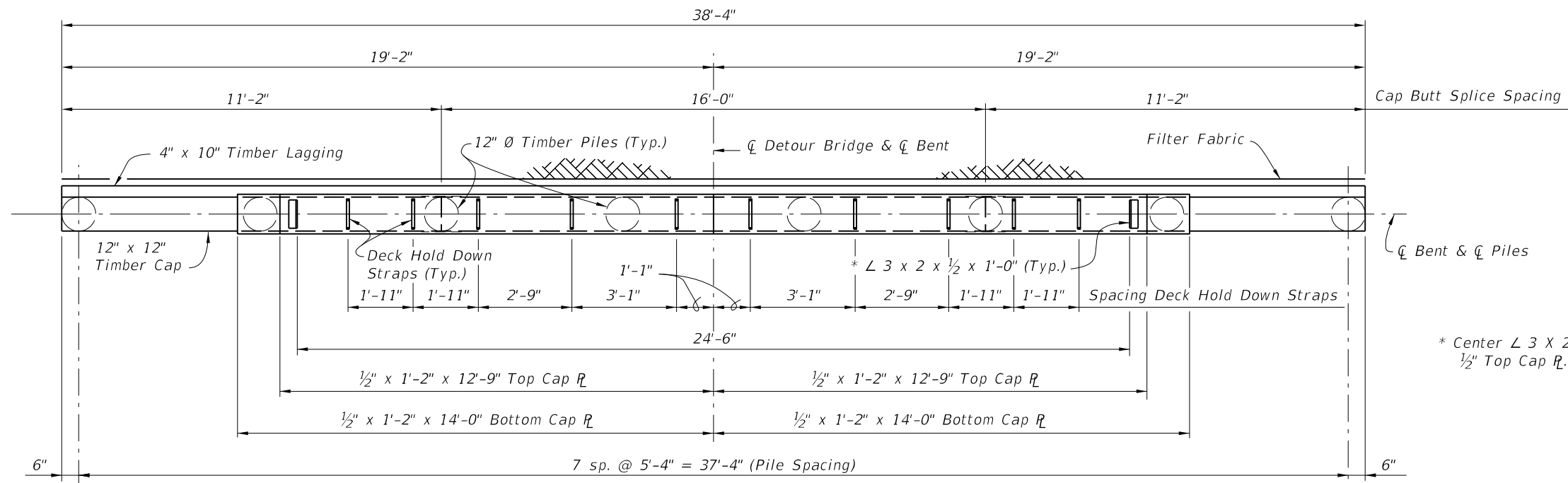


EXPANSION BEARING KEEPER BAR DETAIL

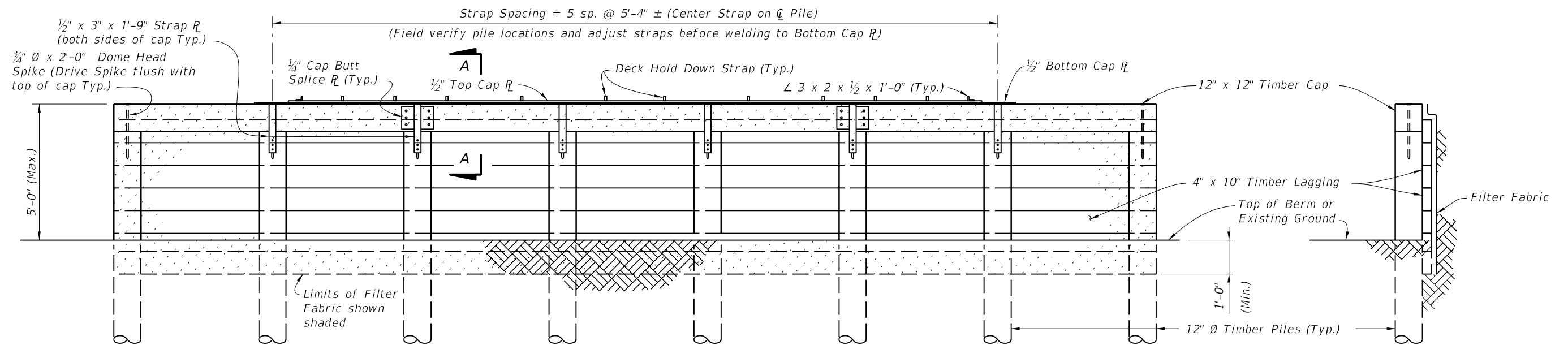
EXPANSION BEARING DETAILS

6/29/2012 1:16:06 PM rd960rh C:\projects\standards\structures\2013book\21610-1of3.dgn

LAST REVISION	DESCRIPTION:	 FDOT DESIGN STANDARDS 2013	TEMPORARY DETOUR BRIDGE DETAILS - TIMBER PILE FOUNDATIONS	INDEX NO.	SHEET NO.
07/01/06				21610	1



PLAN VIEW



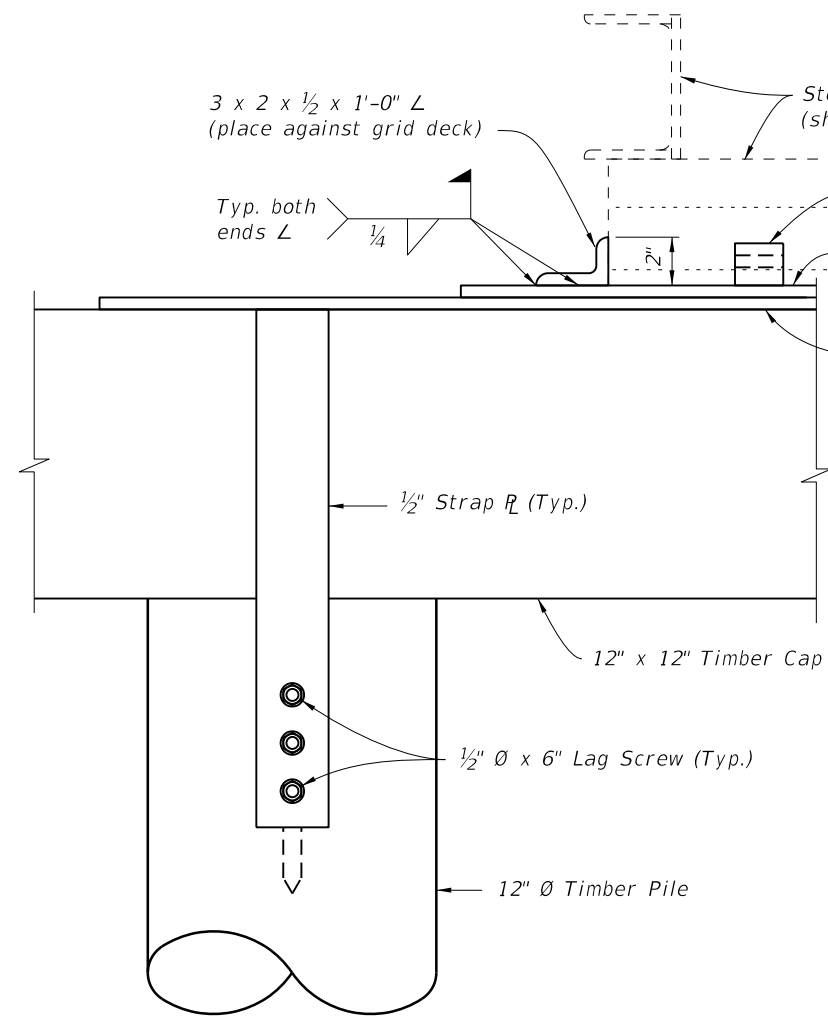
ELEVATION VIEW

END VIEW

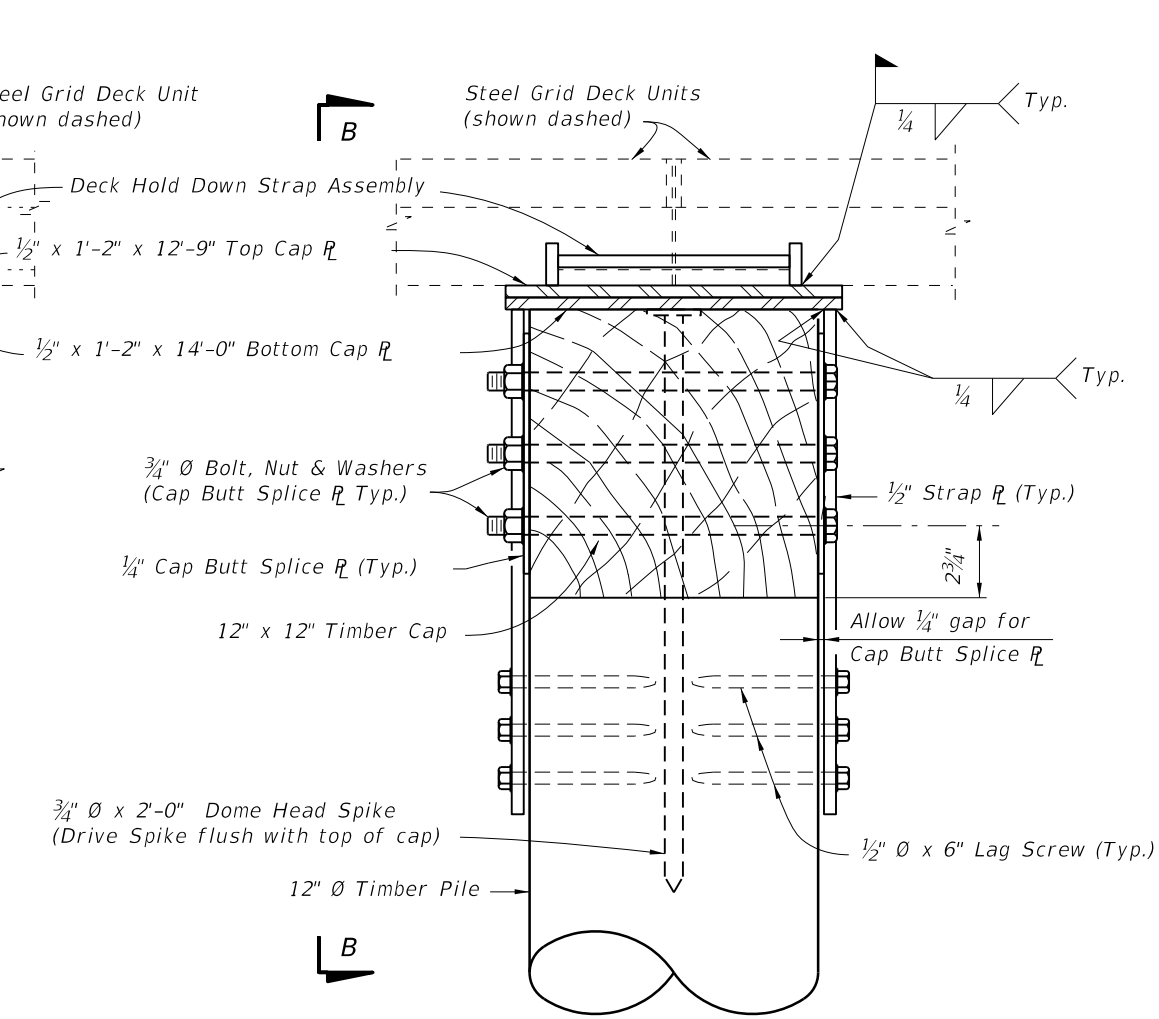
BACKWALL BENT DETAILS

6/29/2012 1:16:08 PM rd9607h C:\projects\standards\structures\2013book\21610-2of3.dgn

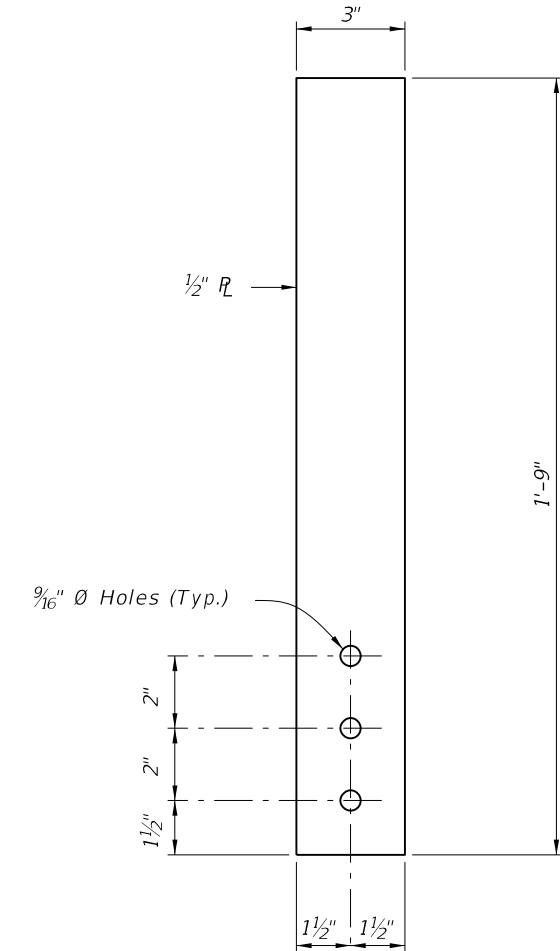
LAST REVISION 07/01/06	DESCRIPTION:	 FDOT DESIGN STANDARDS 2013	TEMPORARY DETOUR BRIDGE DETAILS - TIMBER PILE FOUNDATIONS	INDEX NO. 21610	SHEET NO. 2



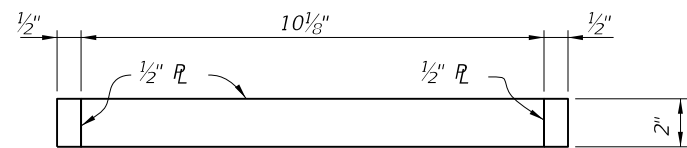
VIEW B-B
 (SHOWING END OF CAP PLATES)



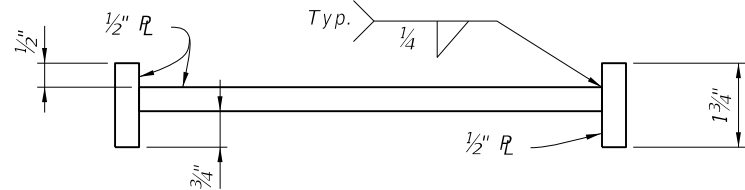
SECTION A-A



STRAP PLATE DETAIL

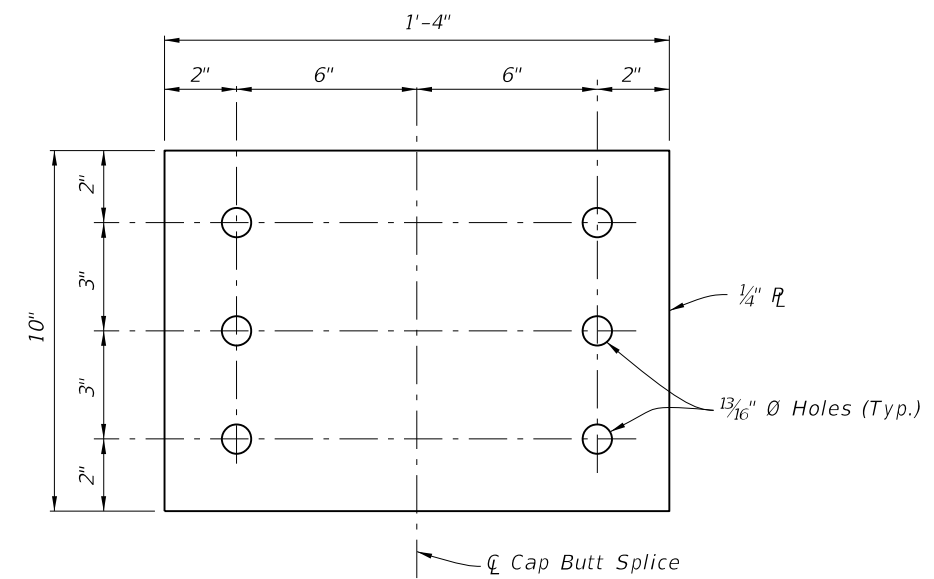


PLAN VIEW



ELEVATION VIEW

HOLD DOWN STRAP ASSEMBLY DETAIL



CAP BUTT SPLICE PLATE DETAIL

BACKWALL BENT DETAILS

C:\projects\standards\structures\2013book\21610-3of3.dgn
 rd960rh
 1:16:10 PM
 6/29/2012

LAST REVISION	DESCRIPTION:	 FDOT DESIGN STANDARDS 2013	TEMPORARY DETOUR BRIDGE DETAILS - TIMBER PILE FOUNDATIONS	INDEX NO.	SHEET NO.
07/01/06				21610	3