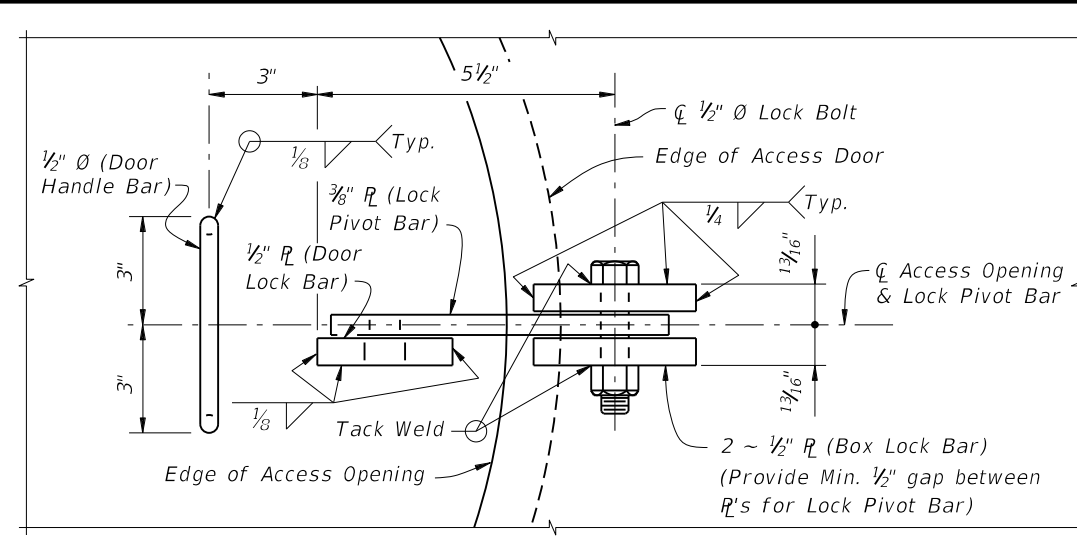
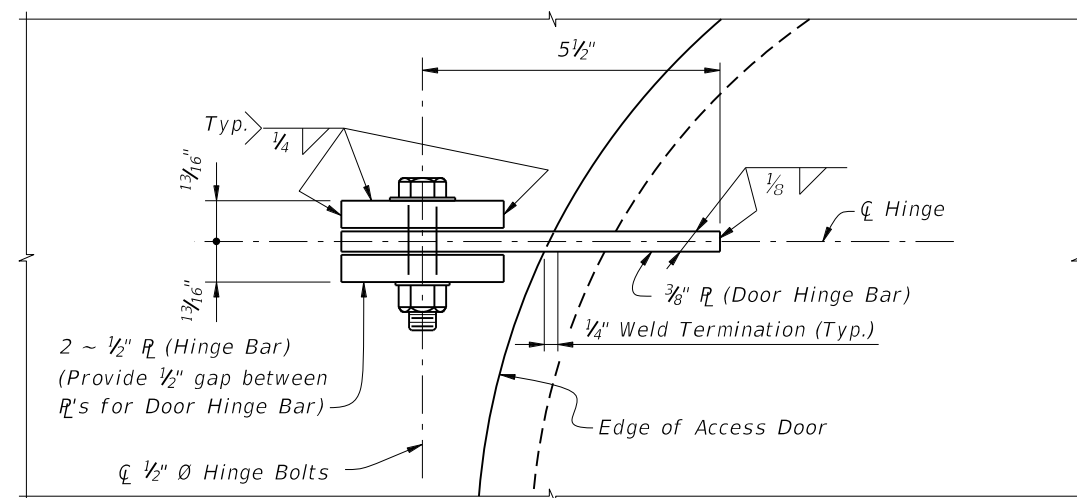


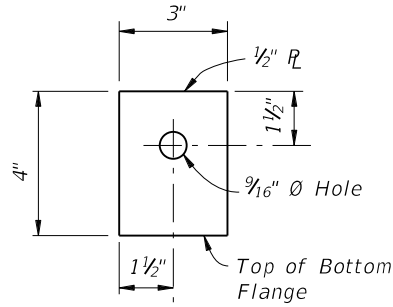
PLAN VIEW OF ACCESS HATCH ASSEMBLY



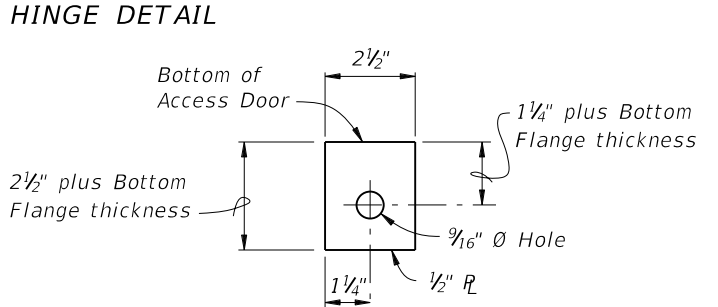
BOTTOM VIEW A-A



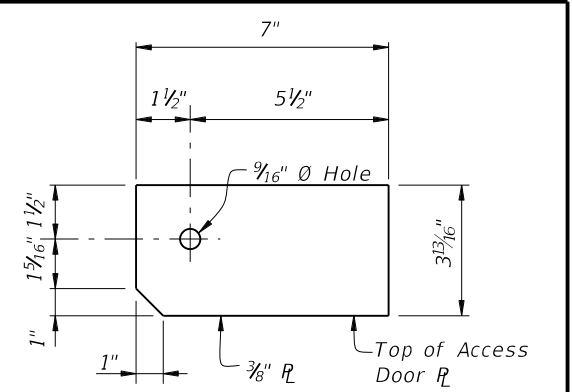
HINGE DETAIL



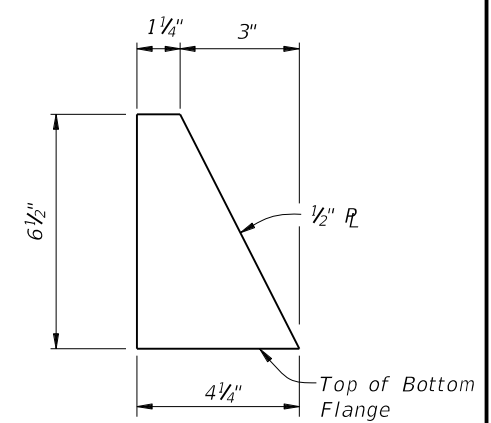
HINGE BAR DETAIL



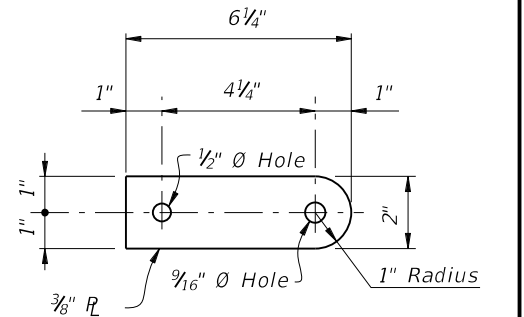
DOOR LOCK BAR DETAIL



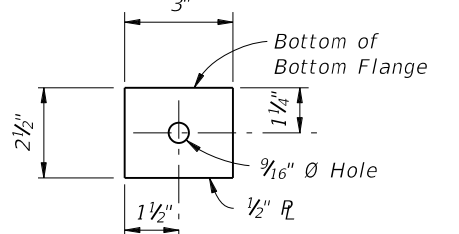
DOOR HINGE BAR DETAIL



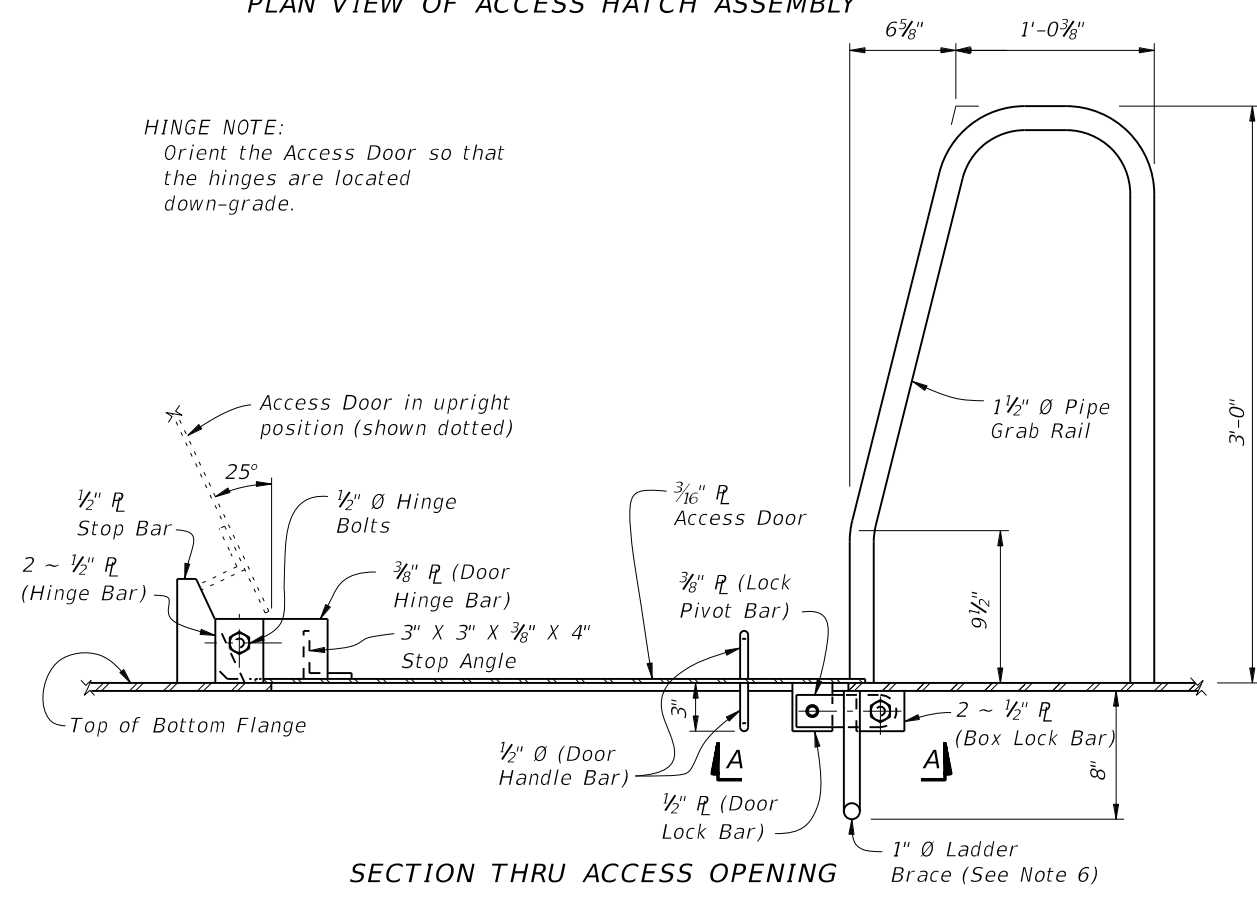
STOP BAR DETAIL



LOCK PIVOT BAR DETAIL



BOX LOCK BAR DETAIL



SECTION THRU ACCESS OPENING

HINGE NOTE:
Orient the Access Door so that the hinges are located down-grade.

- NOTES:
1. All Structural Steel material in Access Door Assemblies shall conform to ASTM A709 Grade 36.
 2. 1 1/2" Ø Pipe Grab Rail shall be in accordance with ASTM A53 Grade B for standard weight pipe (Schedule 40).
 3. 1/2" Ø Door Handle Bar and 1" Ø Ladder Brace shall be in accordance with ASTM A36.
 4. All bolts shall conform to ASTM A307 or A449. All nuts shall conform to ASTM A563 and all washers shall conform to ASTM F-436.
 5. All exposed edges of plates and openings shall be ground smooth.
 6. Place Ladder Brace near the End Bents exclusively and only when the height is reasonable for access by a Ladder.
 7. See Framing Plan sheets for locations of Access Door Openings.
 8. Coat structural steel in accordance with Specification Section 560.
 9. All costs associated with Access Hatch Assembly and incidental items will be paid for under the Access Hatch Assembly pay item. No separate payment will be made for coating structural steel.

C:\projects\standards\structures\2013book\21250-1of1.dgn
rd960rh
1:11:11 PM
6/29/2012

LAST REVISION 01/01/11	DESCRIPTION:		FDOT DESIGN STANDARDS 2013	ACCESS HATCH ASSEMBLY FOR STEEL BOX SECTIONS	INDEX NO. 21250	SHEET NO. 1