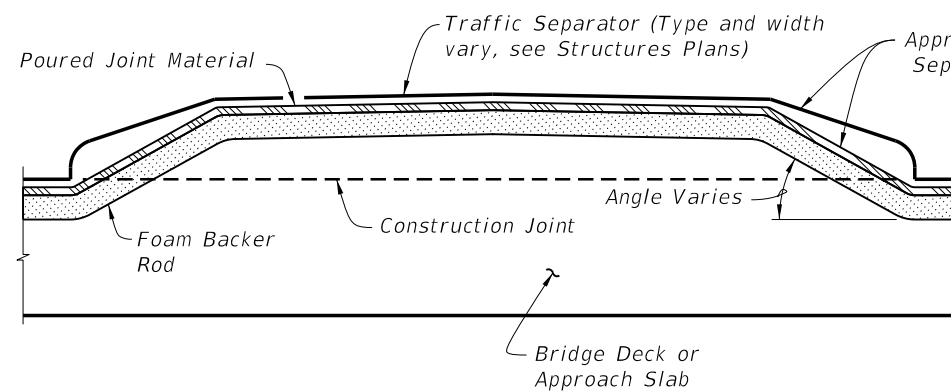
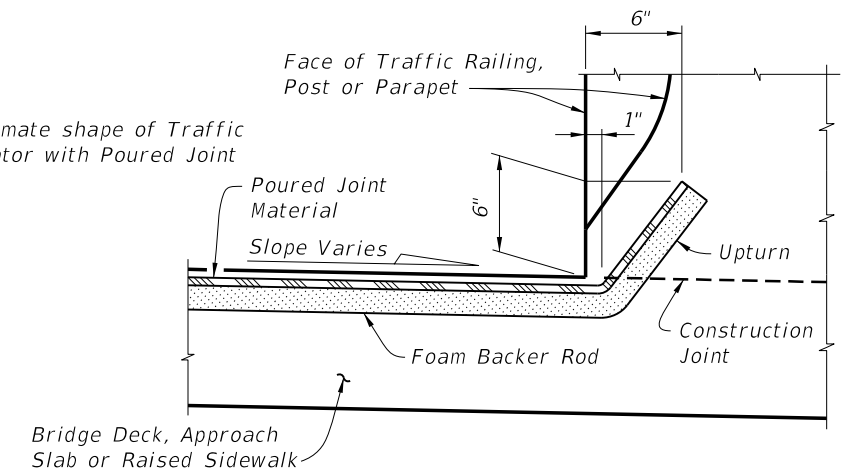


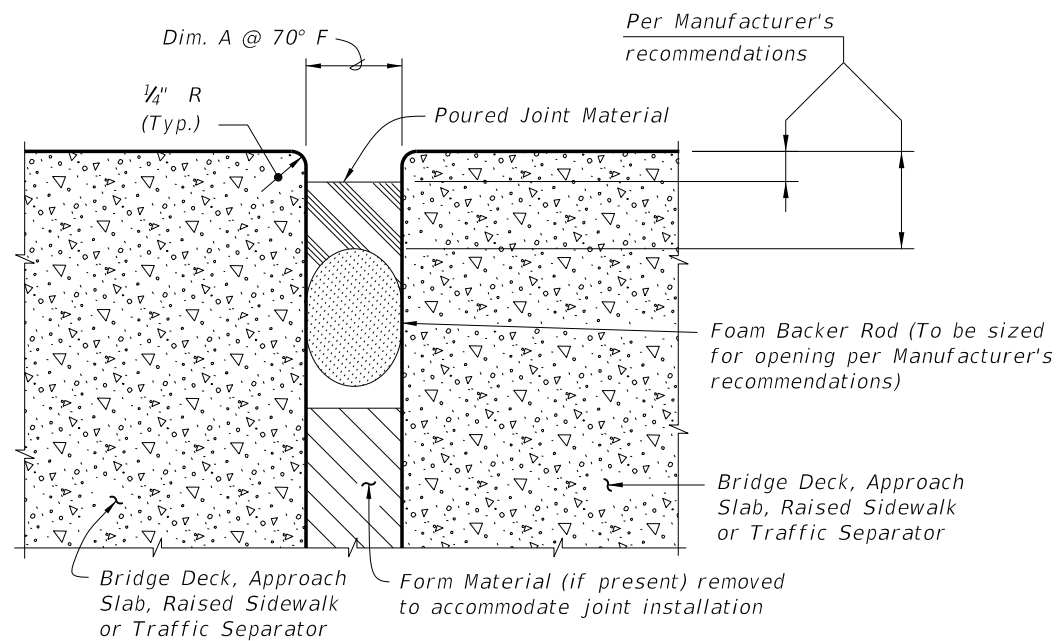
PARTIAL SECTION ALONG  $\bar{C}$  JOINT  
JOINT TREATMENT AT HIGH SIDE OF  
DECK WITH SLOPES 2% OR GREATER



PARTIAL SECTION ALONG  $\bar{C}$  JOINT,  
JOINT TREATMENT AT TRAFFIC SEPARATOR



PARTIAL SECTION ALONG  $\bar{C}$  JOINT  
JOINT TREATMENT AT LOW SIDE OF DECK OR  
HIGH SIDE OF DECK WITH SLOPES < 2%



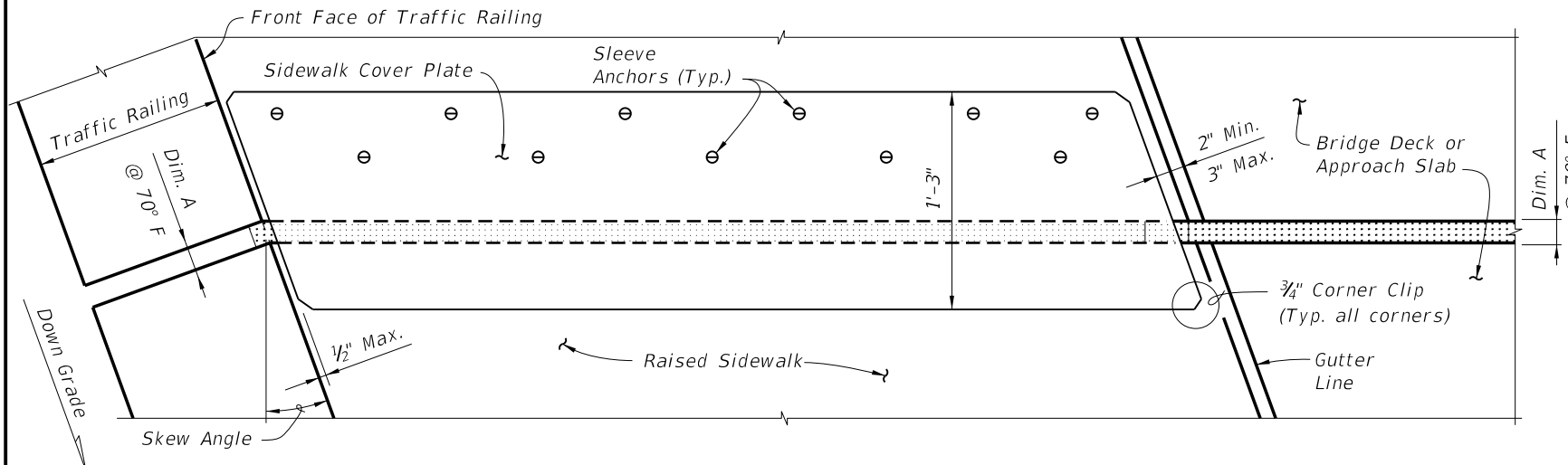
TYPICAL SECTION THRU JOINT

GENERAL NOTES:

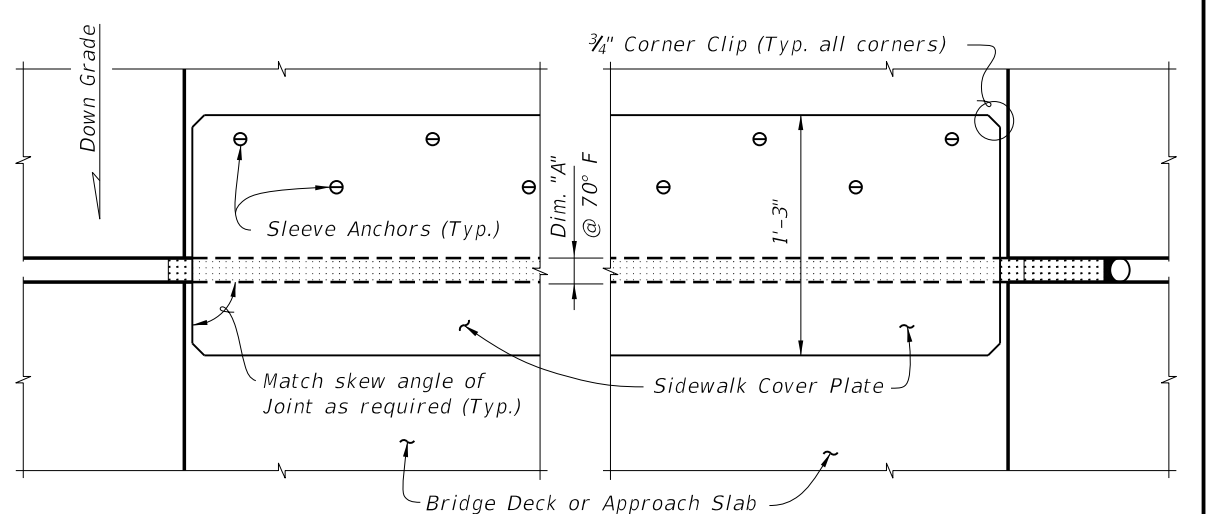
1. Furnish Poured Joint With Backer Rod Expansion Joint Systems in accordance with Specification Section 458 and 932.
2. Submit shop drawings for Sidewalk Cover Plates showing all materials and project specific details and dimensions.
3. Refer to Specification Section 458 for installation and construction requirements.
4. Refer to the Structures Plans, Poured Expansion Joint Data Table for Dim. A @ 70° F.

C:\projects\standards\structures\2013book\21110-1of2.dgn  
rd960rh  
1:06:53 PM  
6/29/2012

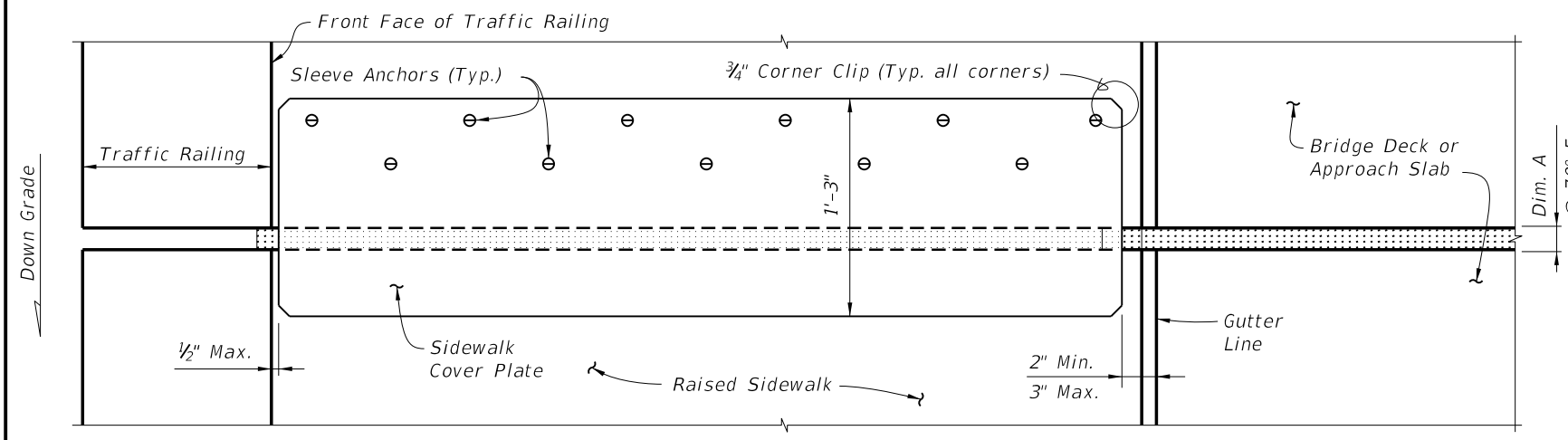
|                           |          |              |  |  |                    |                |
|---------------------------|----------|--------------|--|--|--------------------|----------------|
| LAST REVISION<br>01/01/11 | REVISION | DESCRIPTION: |  <b>FDOT DESIGN STANDARDS</b><br>2013 | <b>POURED JOINT WITH BACKER ROD<br/>EXPANSION JOINT SYSTEM</b> | INDEX NO.<br>21110 | SHEET NO.<br>1 |
|---------------------------|----------|--------------|--|--|--------------------|----------------|



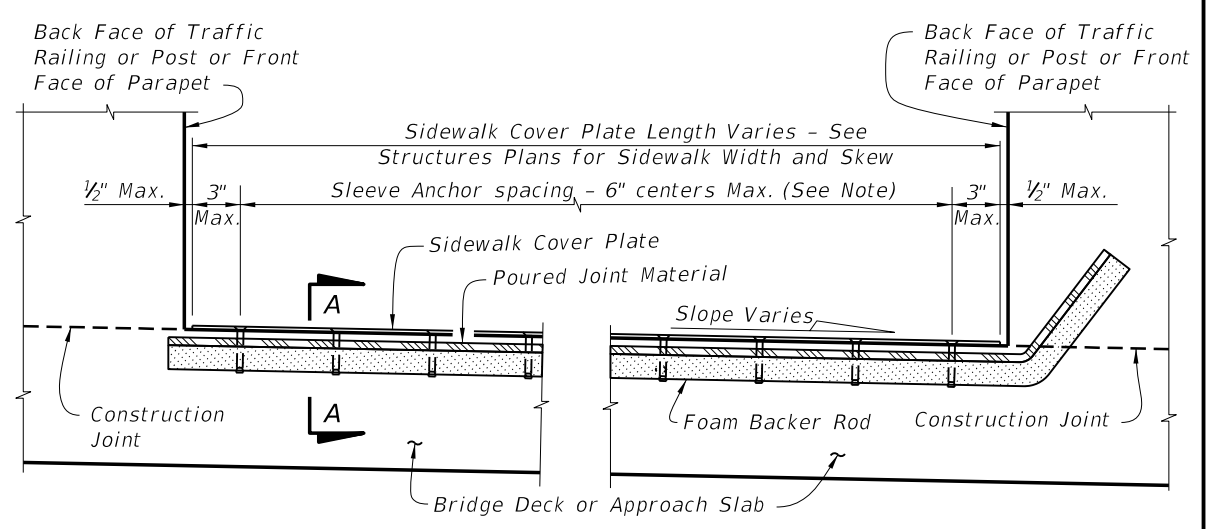
PARTIAL PLAN VIEW OF SKEWED JOINTS



PARTIAL PLAN VIEW

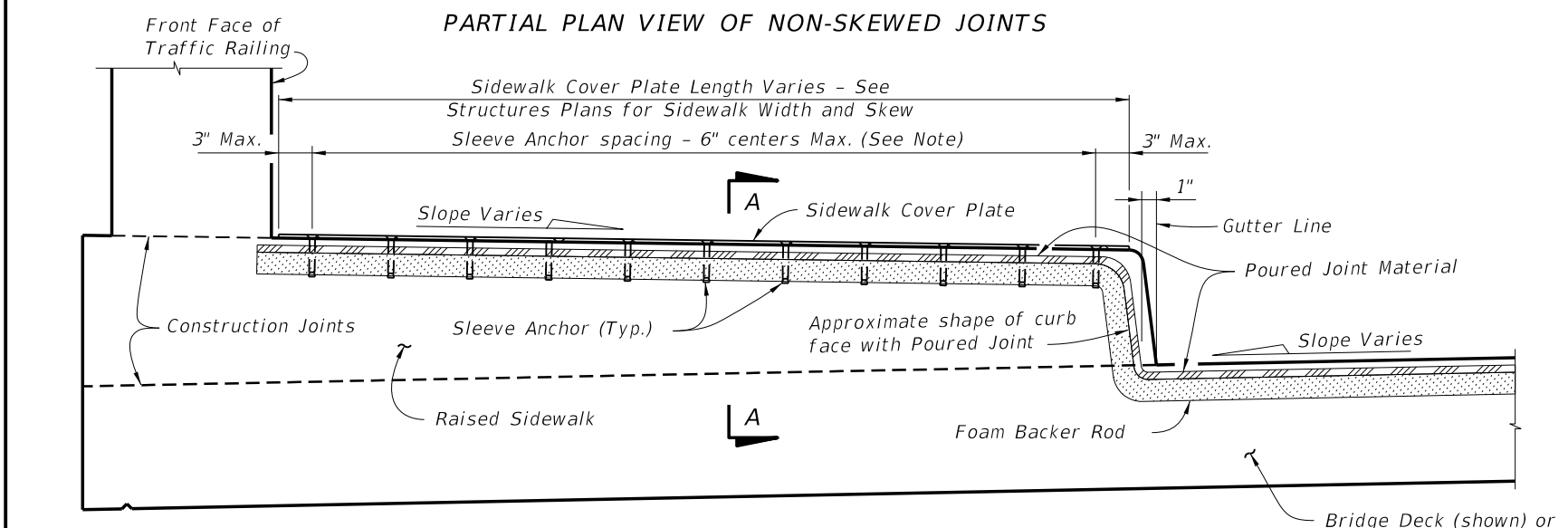


PARTIAL PLAN VIEW OF NON-SKEWED JOINTS



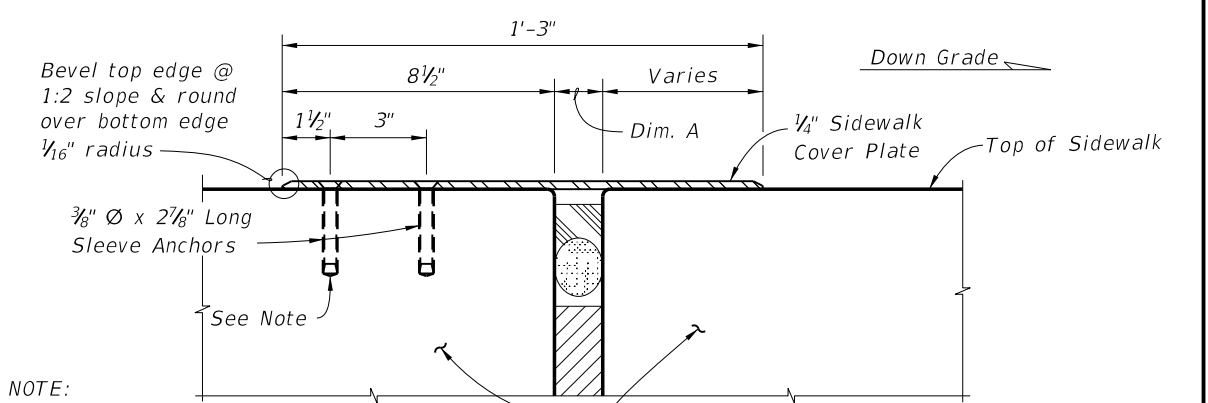
PARTIAL SECTION ALONG Q-JOINT

FLUSH SIDEWALK DETAIL



PARTIAL SECTION ALONG Q-JOINT

RAISED SIDEWALK DETAIL



NOTE: Sleeve Anchors are required at both corners of Sidewalk Cover Plate. Reduce Sleeve Anchor max. spacing to provide uniform spacing.

SECTION A-A

6/28/2012 1:06:56 PM rd960rth C:\projects\standards\structures\2013book\21110-2of2.dgn

|                           |              |  |   |                           |                       |
|---------------------------|--------------|--|---|---------------------------|-----------------------|
| LAST REVISION<br>01/01/11 | DESCRIPTION: |  <b>FDOT DESIGN STANDARDS</b><br>2013 | <b>POURED JOINT WITH BACKER ROD</b><br>EXPANSION JOINT SYSTEM | INDEX NO.<br><b>21110</b> | SHEET NO.<br><b>2</b> |
|                           |              |  |   |                           |                       |