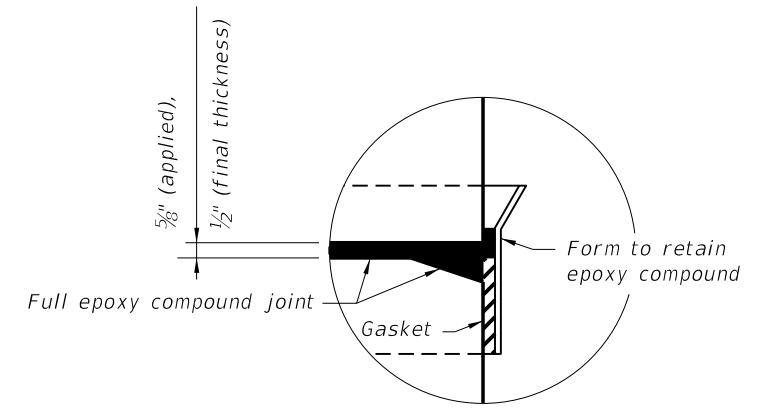
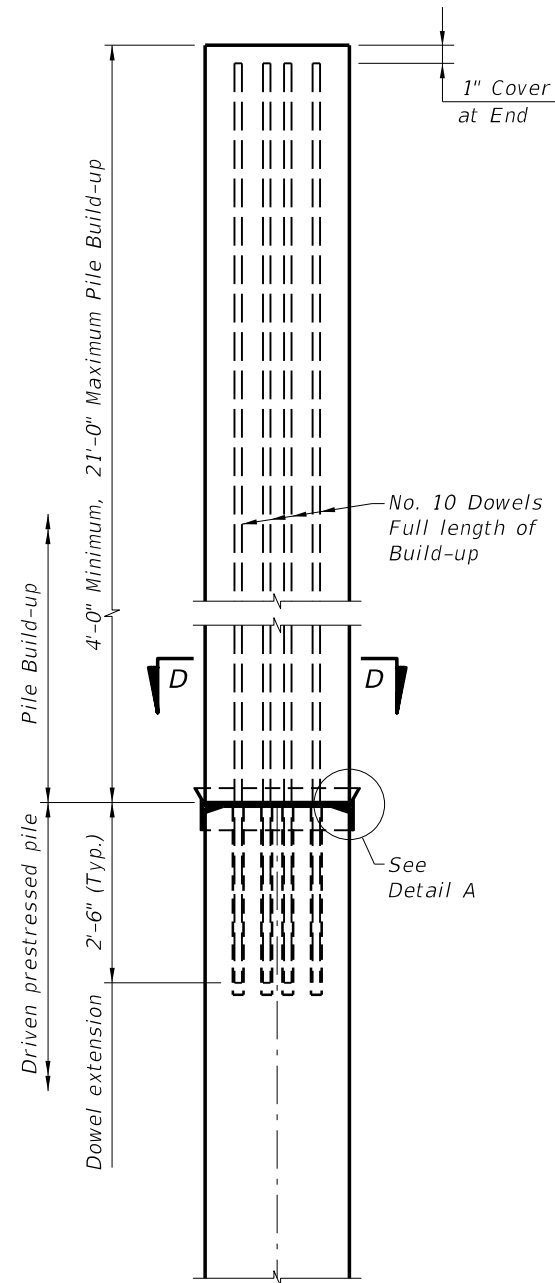


NOTES:

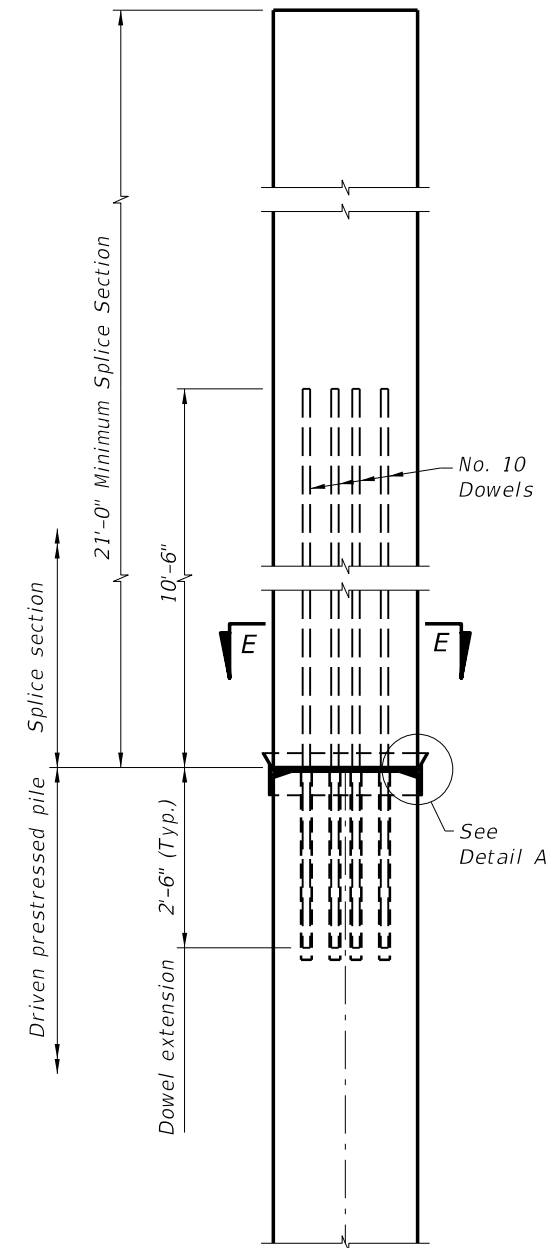
1. For Sections D-D, E-E, & F-F see Index Nos. 20612, 20614, 20618, 20620, 20624 or 20630 for applicable concrete pile size and Pile Splice Reinforcement Details.
2. Prestressing strands, spiral ties and/or reinforcement are not shown for clarity.
3. In cases where pile splices are desired due to length limitations in shipping and/or handling, the "Drivable Preplanned Prestressed Precast Splice Detail" shall be used. Mechanical Pile Splices contained on the Qualified Products List (QPL) may also be used.
4. When preformed dowel holes are utilized, the 1" spiral tie pitch shall be continued to 4'-0" below the head of the pile, See Index Nos. 20618, 20620 & 20624. Preformed holes shall utilize either removable preforming material or stay-in-place corrugated galvanized steel ducts. Stay-in-place ducts shall be fabricated from galvanized sheet steel meeting the requirements of ASTM A653, Coating Designation G90, 26 gauge. Ducts shall be 2" diameter with a minimum corrugation (rib) height of 0.12 in. Ducts shall be fabricated with either welded or interlocked seams. Galvanizing of welded seams will not be required.



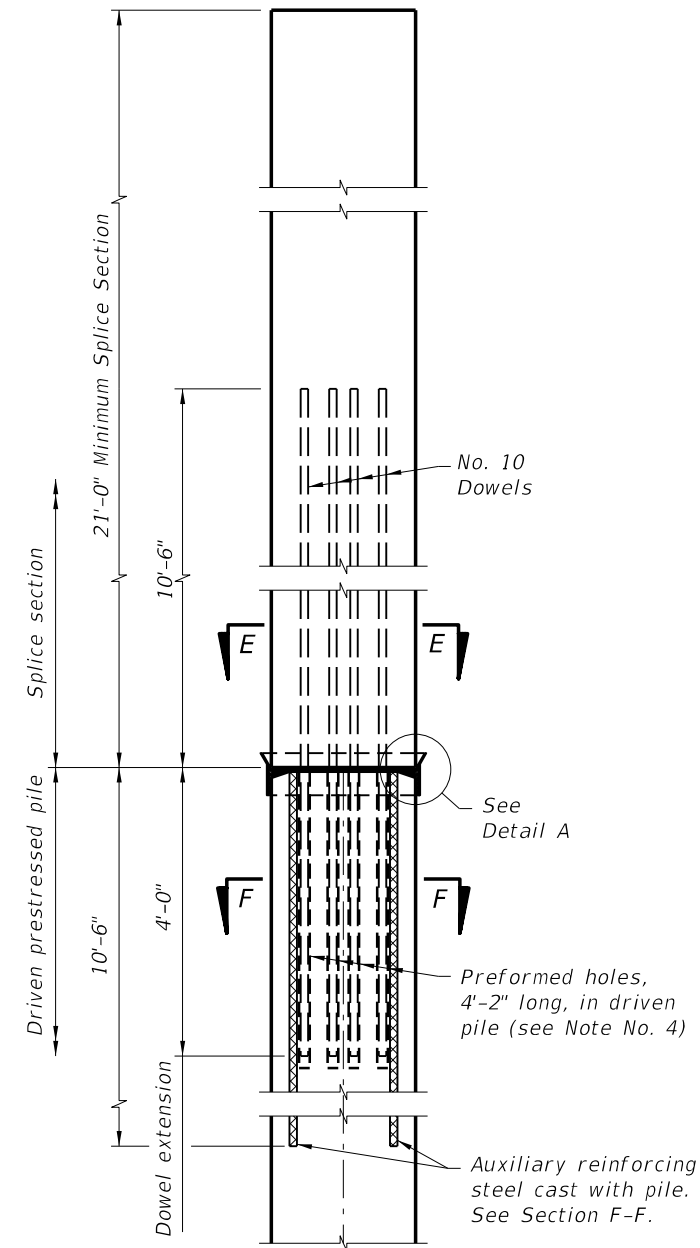
DETAIL A



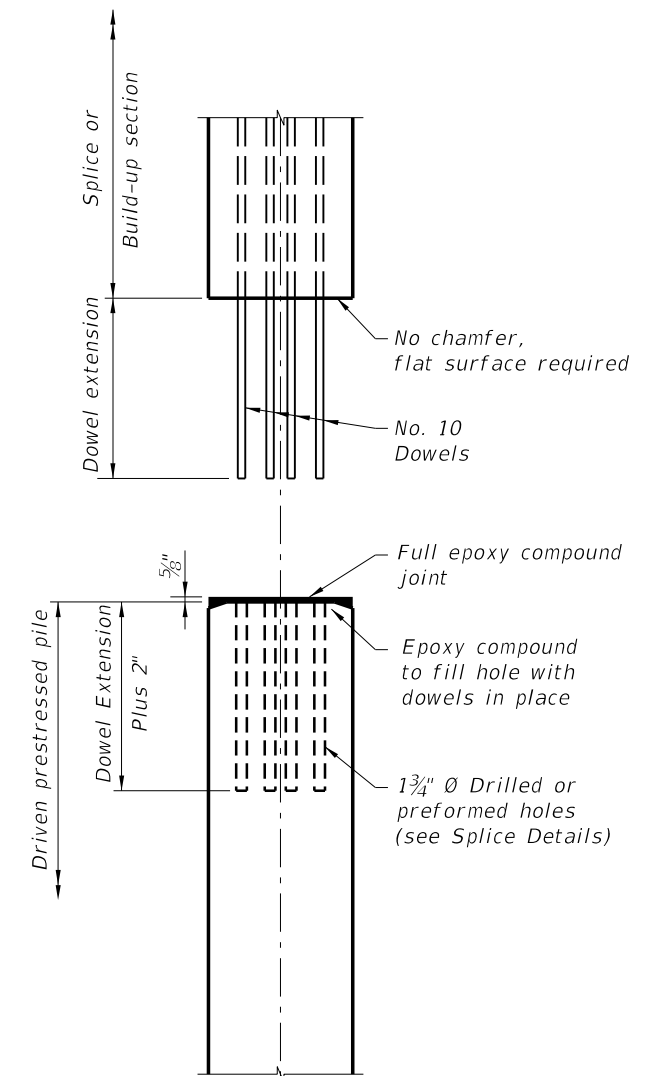
NONDRIVABLE UNFORESEEN REINFORCED PRECAST PILE BUILD-UP DETAIL



DRIVABLE UNFORESEEN PRESTRESSED PRECAST PILE SPLICE DETAIL



DRIVABLE PREPLANNED PRESTRESSED PRECAST PILE SPLICE DETAIL



TYPICAL SPLICE BEFORE BONDING

6/29/2012 12:58:51 PM rd960rh C:\projects\standards\structures\2013book\20601-1of1.dgn

LAST REVISION	REVISION	DESCRIPTION:		FDOT DESIGN STANDARDS 2013	SQUARE PRESTRESSED CONCRETE PILE SPLICES	INDEX NO.	SHEET NO.
01/01/12						20601	1