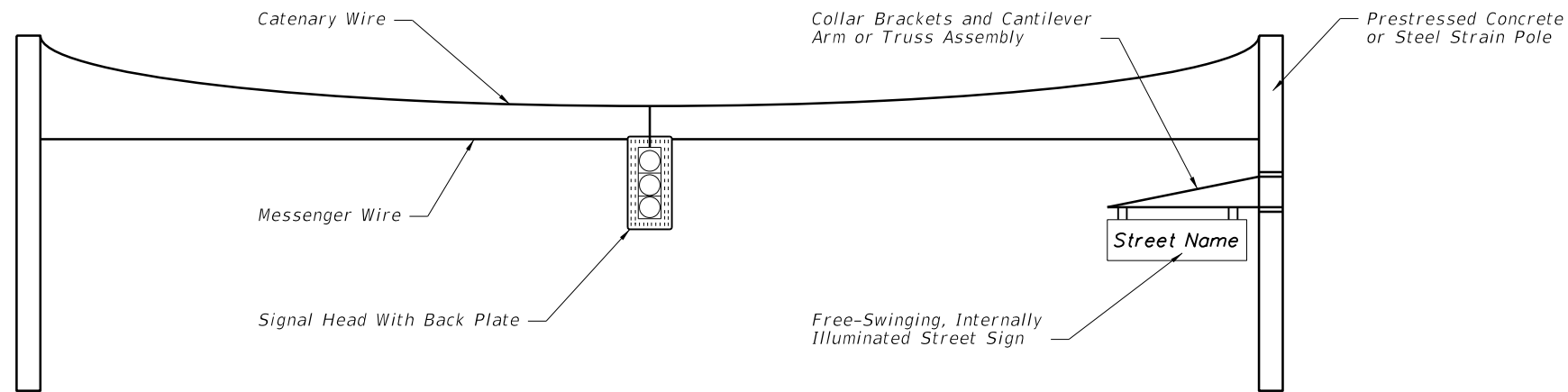


OPTION 2
(For Mast Arm Assembly)


NOTES:

1. Free-swinging, internally-illuminated street signs shall only be installed on the signal pole for span wire assemblies. For mast arm assemblies the street sign may be installed on the arm or pole.
2. Free-swinging, internally-illuminated street signs shall meet the requirements of Section 699 of the Standard Specifications for Road and Bridge Construction.
3. Pole attachments and cantilever arm (or truss) assemblies may be accepted by Contractor certification provided the signs being supported meet the weight and area limitations included in Section 699 for "Acceptance by Certification".
4. Pole attachments and cantilever arm (or truss) assemblies supporting signs not meeting the weight or area limitations included in Section 699 for "Acceptance by Certification" require the submittal of structural calculations and Shop Drawings that have been prepared by and sealed by the Specialty Engineer.



OPTION 1
(For Span Wire Assembly)

C:\projects\standards\roadway\17700-s\17748-01.dgn 6/28/2012 12:34:07 PM rd960rh

LAST REVISION	07/01/09	DESCRIPTION:		FDOT DESIGN STANDARDS 2013	FREE-SWINGING INTERNALLY-ILLUMINATED STREET SIGN ASSEMBLIES	INDEX NO.	17748	SHEET NO.	1
---------------	----------	--------------	---	--------------------------------------	--	-----------	-------	-----------	---