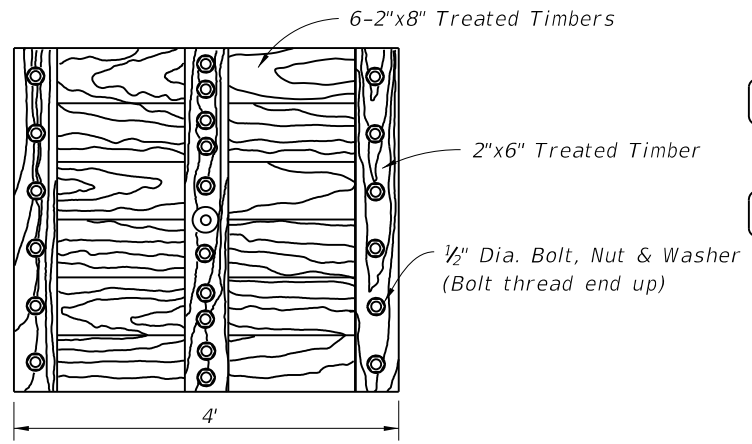
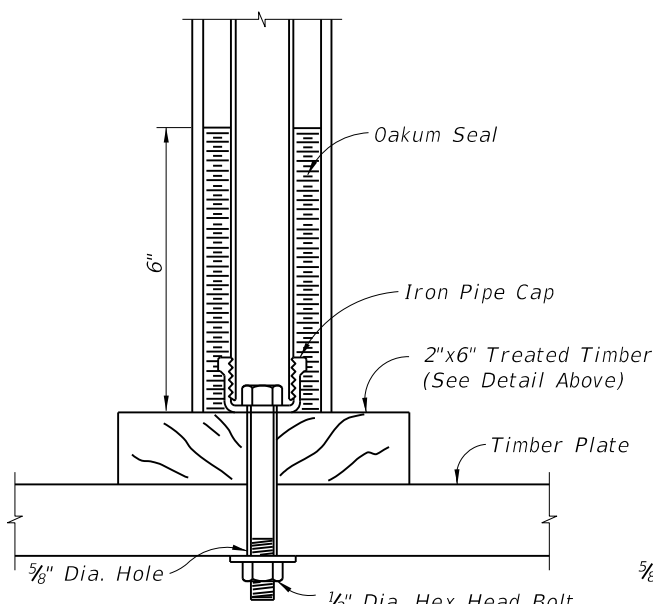


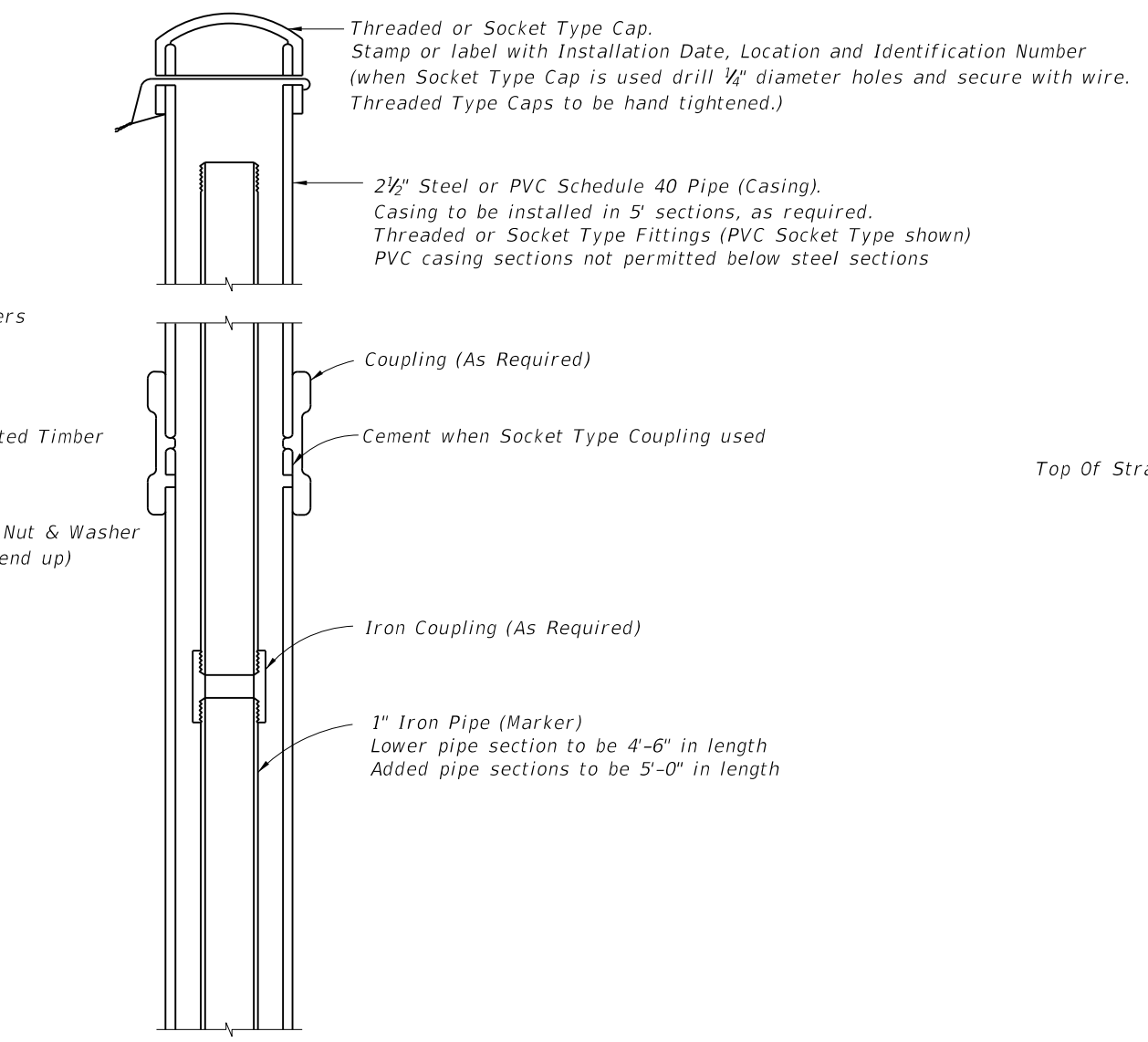
C:\projects\standards\structures\2013book\00540-1of1.dgn  
 rd960rh  
 10:38:54 AM  
 6/29/2012



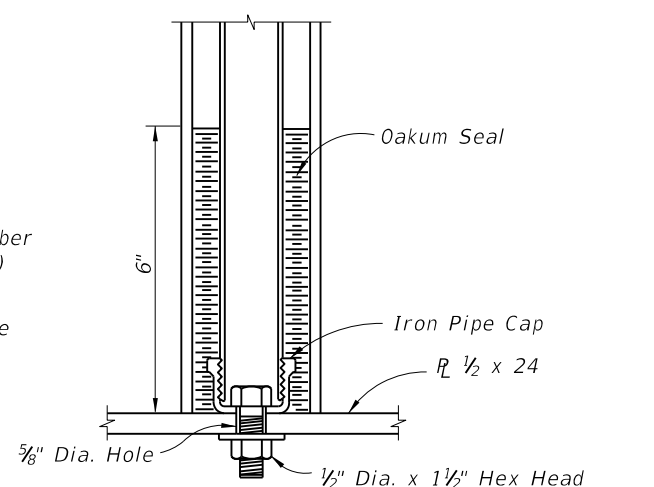
PLAN  
TIMBER PLATE



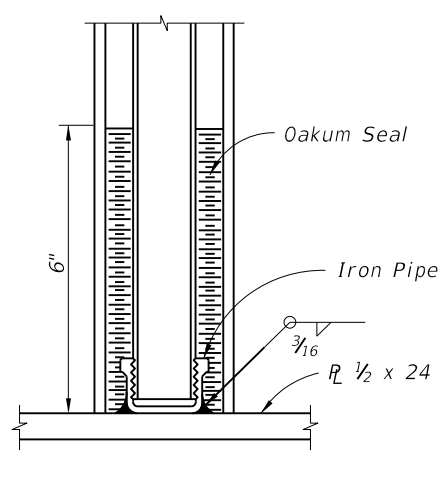
TIMBER PLATE



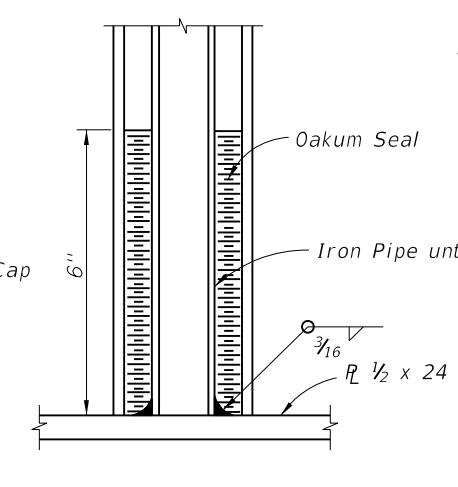
STEM AND PLATE OPTIONS



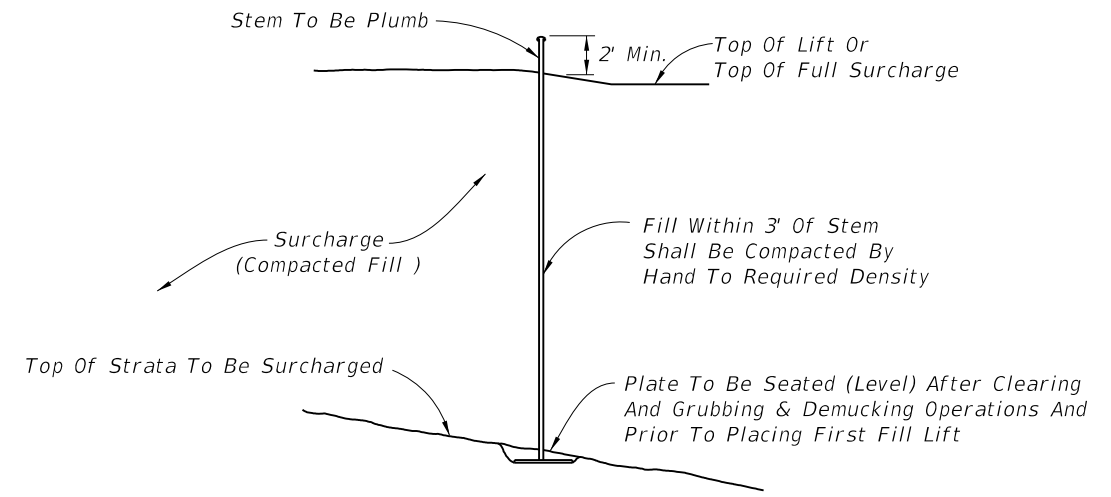
STEEL PLATE



STEEL PLATE



STEEL PLATE



INSTALLATION

NOTES:

1. Elevation of the top of each length of marker pipe shall be determined as soon as it is installed and also immediately before the next length of marker pipe is added.
2. Settlement plate locations shall be flagged and protected from construction vehicles and equipment. If settlement plates are disturbed, they shall be replaced in kind.
3. Oakum used to construct seal should not have a mesh covering (plastic or other synthetic material).
4. The settlement plates shall be paid for under the contract unit price for Settlement Plate Assembly, AS.

LAST REVISION	DESCRIPTION:	 <b>FDOT DESIGN STANDARDS</b> <b>2013</b>	<b>SETTLEMENT PLATE</b>	INDEX NO.	SHEET NO.
01/01/00				540	1