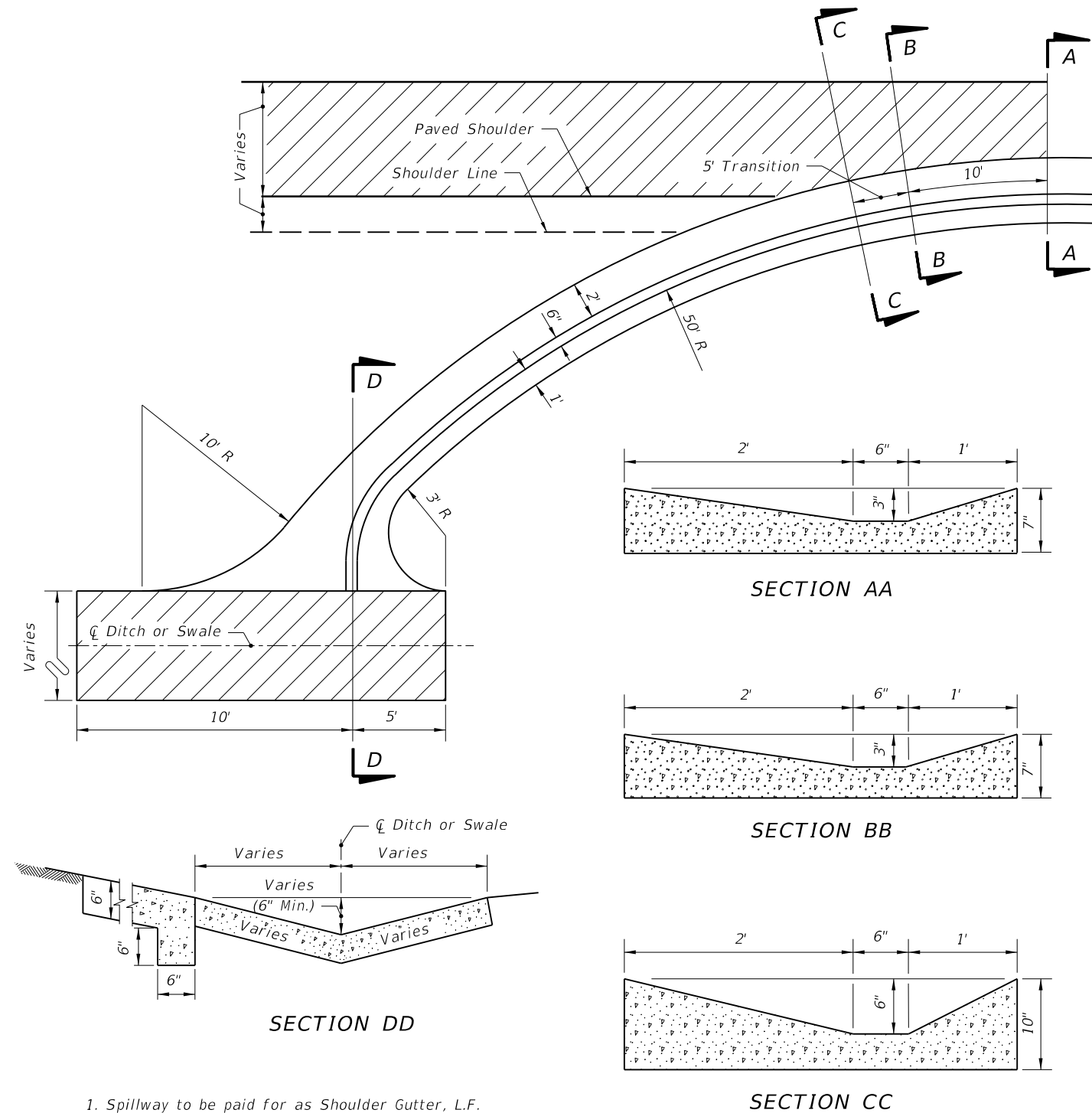



C:\projects\standards\roadway\02200-s\02284-01.dgn  
 rd960r/h  
 9:29:11 AM  
 6/29/2012



1. Spillway to be paid for as Shoulder Gutter, L.F.
2. If spillway empties into an unpaved ditch, the detail should be modified as necessary.

**DETAIL OF CONCRETE SPILLWAY AT END OF SHOULDER GUTTER**  
 (TO BE USED WHERE INLETS, PIPES & ENDWALLS ARE IMPRACTICAL)

|                  |          |              |   |   |  |              |              |
|------------------|----------|--------------|---|---|--|--------------|--------------|
| LAST<br>REVISION | REVISION | DESCRIPTION: |  | <b>FDOT DESIGN STANDARDS</b><br><b>2013</b> | <b>CONCRETE SHOULDER GUTTER SPILLWAY</b> | INDEX<br>NO. | SHEET<br>NO. |
| 07/01/09         |          |              |   |   |  | 284          | 1            |