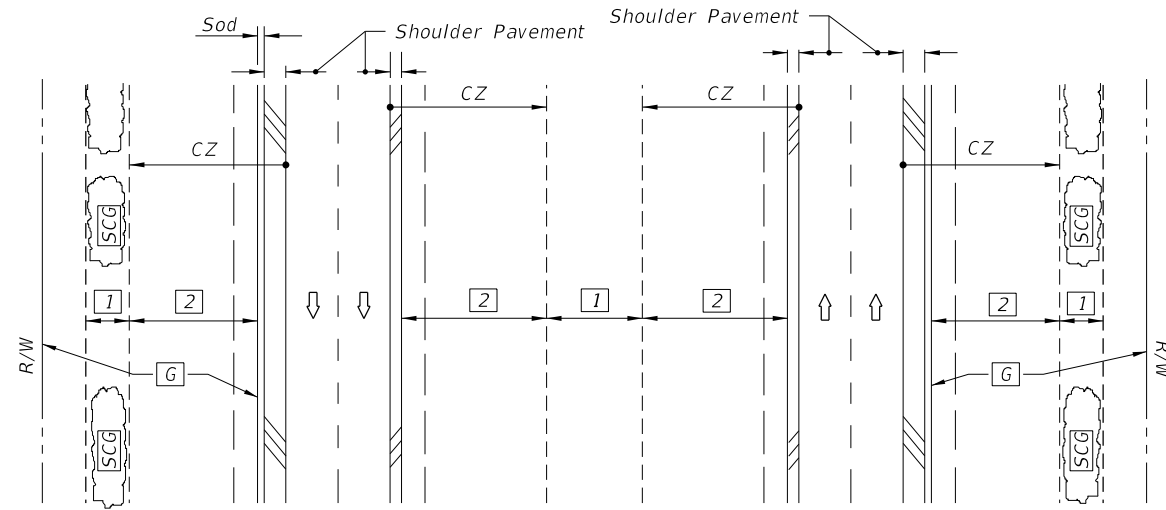
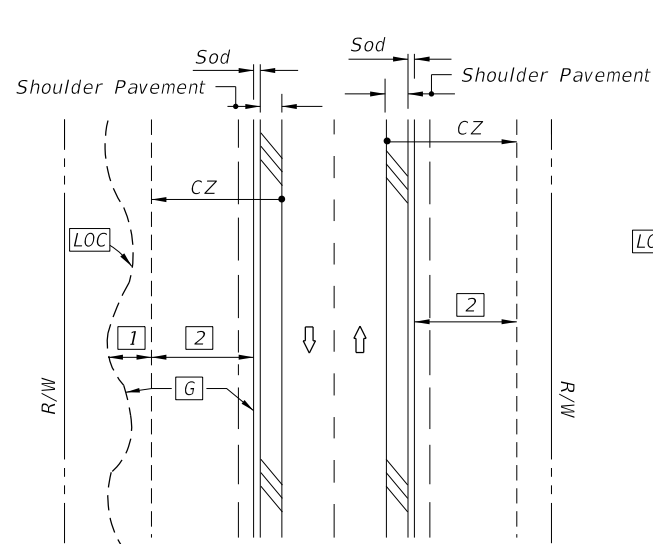


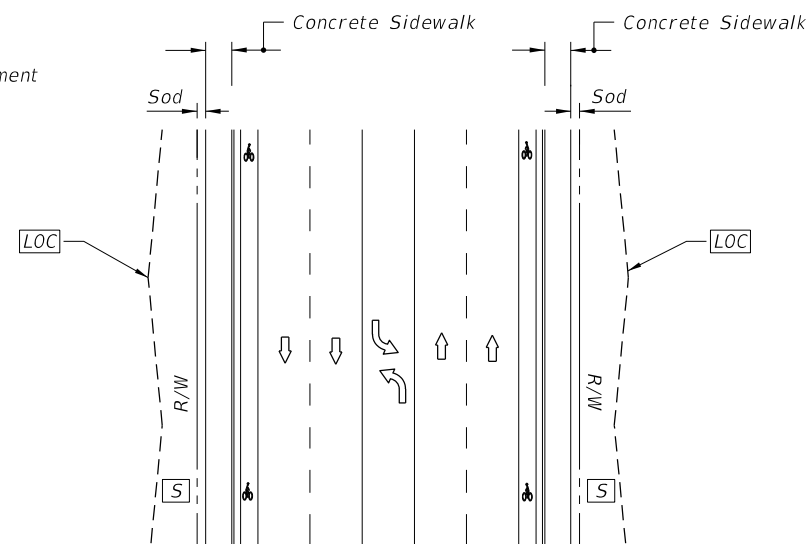
DIVIDED NARROW MEDIAN WITH OR WITHOUT CURBED MEDIAN



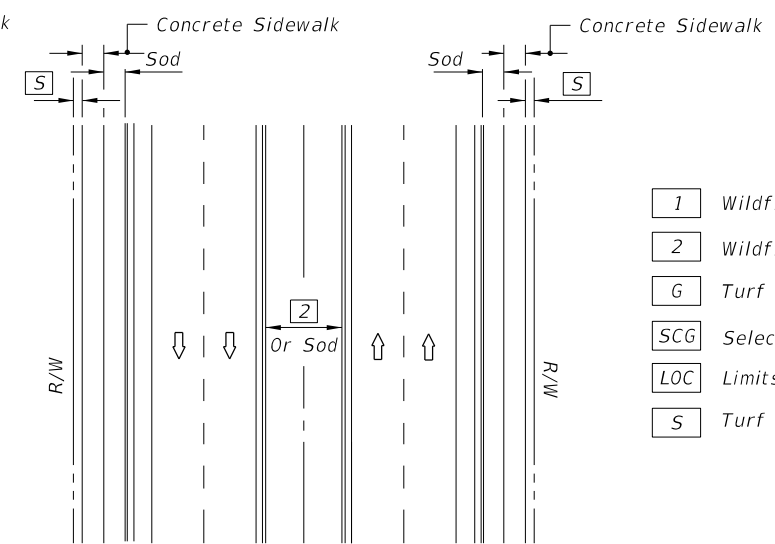
DIVIDED WIDE MEDIAN WITH OR WITHOUT CURBED MEDIAN



UNDIVIDED FLUSH SHOULDER



UNDIVIDED CURBED



DIVIDED CURBED

- LEGEND**
- 1 Wildflower Group #1
  - 2 Wildflower Group #2
  - G Turf (To Limit of Construction)
  - SCG Selective Clearing And Grubbing
  - LOC Limits Of Construction
  - S Turf

WILDFLOWER SEEDING RATES	
Common Name (Botanical Name)	lbs/ac
<b>#1 Group</b>	
Black-Eyed Susan ( <i>Rudbeckia hirta</i> )	2
Lance-Leaf Tickseed ( <i>Coreopsis lanceolata</i> )	10
Goldenmane Tickseed ( <i>Coreopsis basalis</i> )	10
Leavenworth's Tickseed ( <i>Coreopsis leavenworthii</i> )	10
Fire Wheel ( <i>Gaillardia pulchella</i> )	10
Softhair Coneflower ( <i>Rudbeckia mollis</i> )	2
Crimson Clover ( <i>Trifolium incarnatum</i> )	15
<b>#2 Group</b>	
Annual Phlox ( <i>Phlox drummondii</i> )	10
Moss Verbena ( <i>Verbena tenuisecta</i> )	6
Leavenworth's Tickseed ( <i>Coreopsis leavenworthii</i> )	10
Fire Wheel ( <i>Gaillardia pulchella</i> )	10
Crimson Clover ( <i>Trifolium incarnatum</i> )	15
Note: Wildflower seeding rates are for restoring impacted wildflower areas.	

**GENERAL NOTES**

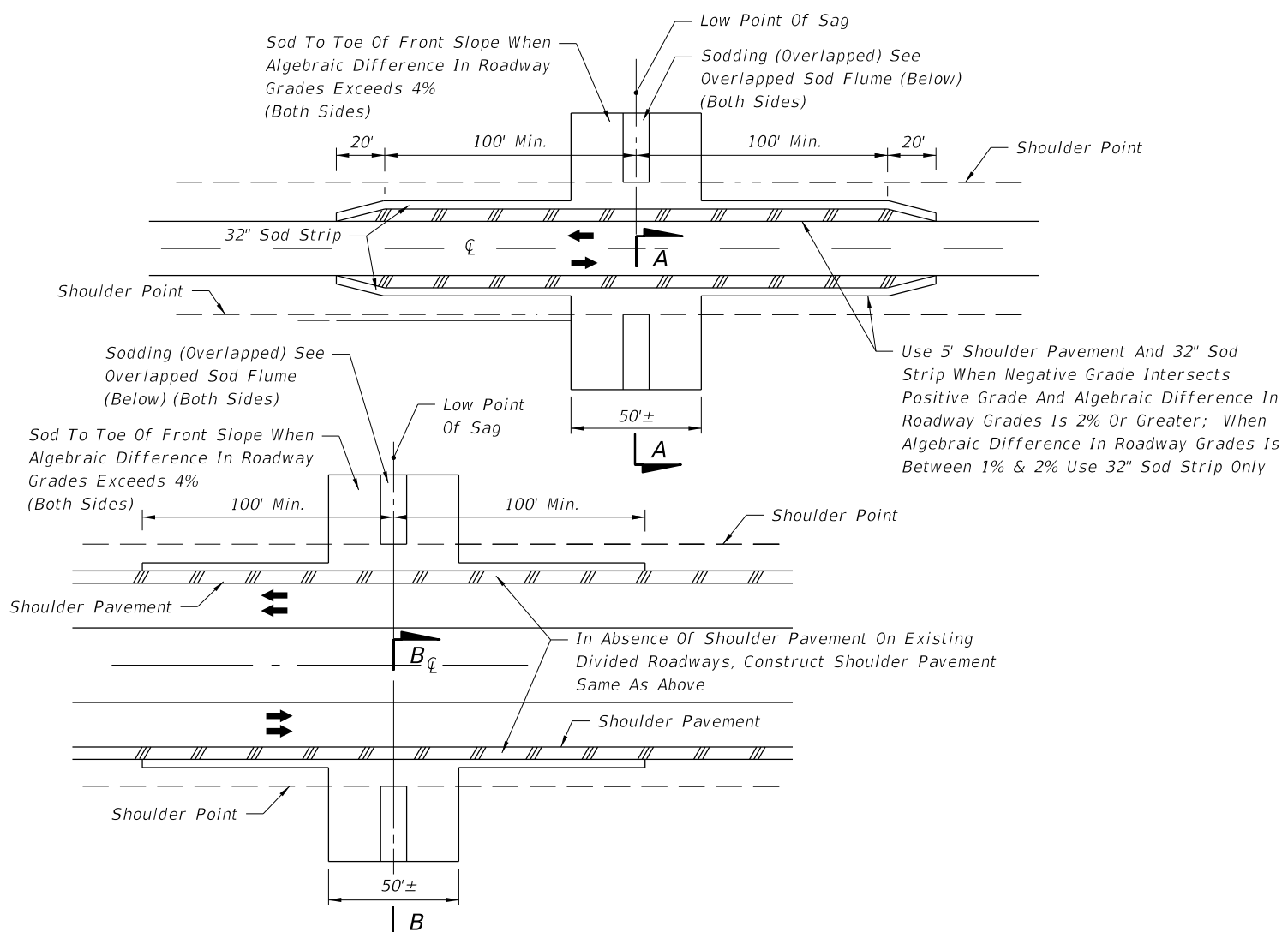
- All turf establishment shall be performed meeting the requirements of Section 570 of the Standard Specifications.
- Activities such as clearing, grading, and excavating that will disturb one or more acres of land require coverage under the Generic Permit for Stormwater Discharge from Large and Small Construction Activities from the Florida Department of Environmental Protection, and implementation of appropriate pollution prevention measures to minimize erosion and sedimentation and properly manage stormwater.
- Confirm compatibility of wildflower with Seeding Zones.

**SEEDING ZONES**

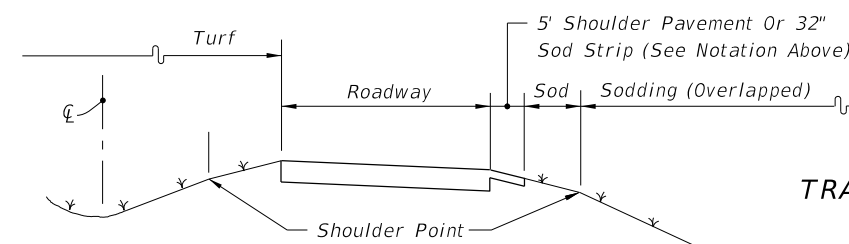


C:\projects\standards\roadway\00100-s\00104-01.dgn  
 r1960/h  
 11:26:39 AM  
 12/30/2011

C:\projects\standards\roadway\00100-s\00104-02.dgn  
 r1960rh  
 11:26:39 AM  
 12/30/2011

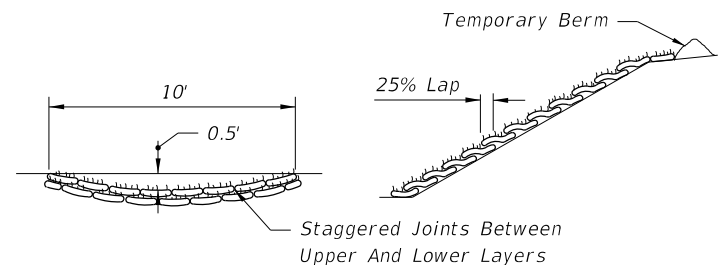


**SECTION AA**  
(Symmetrical About  $\bar{Q}$ )

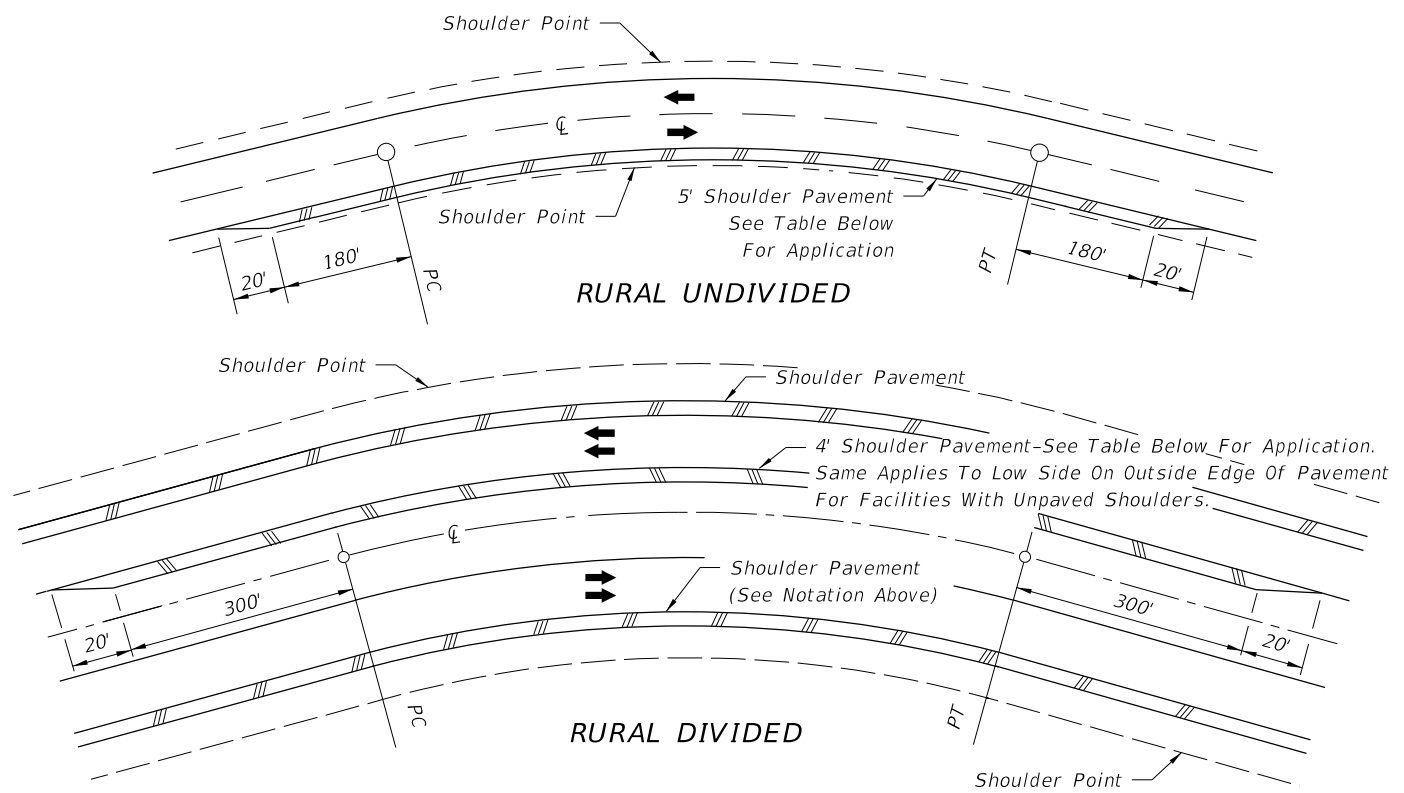


**SECTION BB**  
(Symmetrical About  $\bar{Q}$ )

**SHOULDER AND SLOPE TREATMENT IN SAG VERTICAL CURVES**



**TRANSVERSE SECTION LONGITUDINAL SECTION**  
**OVERLAPPED SOD FLUME**



**RURAL UNDIVIDED**

**RURAL DIVIDED**

CRITERIA FOR PAVING SHOULDER ON DIVIDED AND UNDIVIDED FACILITIES		
Design Speed (mph)	Degree Of Curve	Note: Shoulder Pavement is required on all curves meeting the criteria tabulated. For curves not meeting the criteria, shoulders are to be paved where erosion of the shoulder is evident or anticipated.
30	7° Or Greater	
40	5° Or Greater	
50	4° Or Greater	
60	3° Or Greater	
65	3° Or Greater	
70	2° Or Greater	

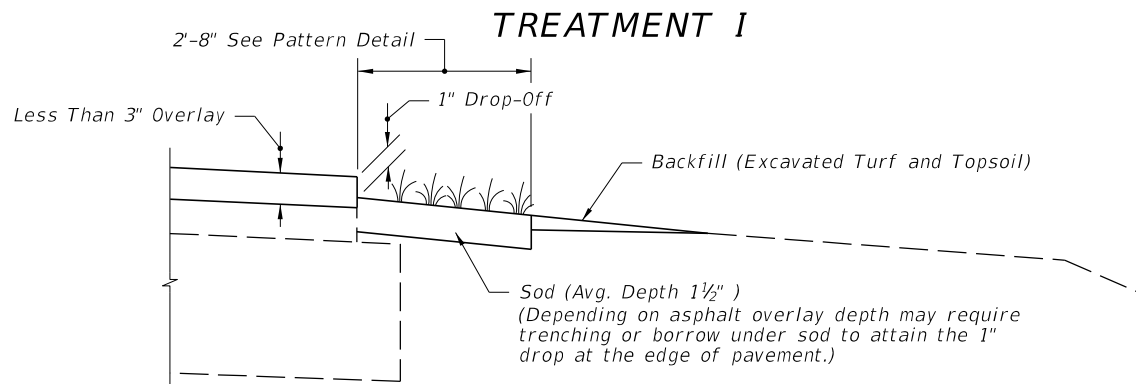
**SHOULDER AND SLOPE TREATMENT FOR SUPERELEVATED ROADWAYS**

**NOTES**

1. These treatments are applicable to new construction, reconstruction and RRR projects. Project requirements for shoulder pavement and sodding that exceed the limits of this standard take precedence.
2. For sodding adjacent to ditches and at headwalls, see Index No. 281.
3. All front slopes steeper than 1:3 are to be sodded.

**TREATMENTS FOR PROTECTION FROM CONCENTRATED ROADWAY RUNOFF EROSION AND SHOULDER RAVELING**

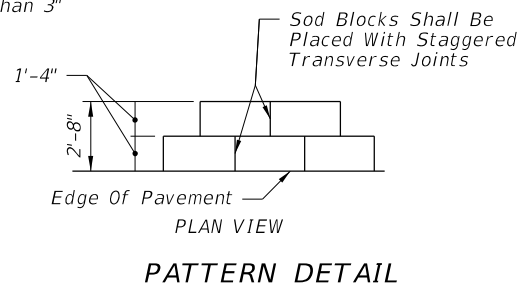
LAST REVISION <b>07/01/01</b>	DESCRIPTION:	 <b>FDOT DESIGN STANDARDS</b> <b>FY 2012/2013</b>	<b>PERMANENT EROSION CONTROL</b>	INDEX NO. <b>104</b>	SHEET NO. <b>2</b>
REVISION					



**COMPLETED SHOULDER**

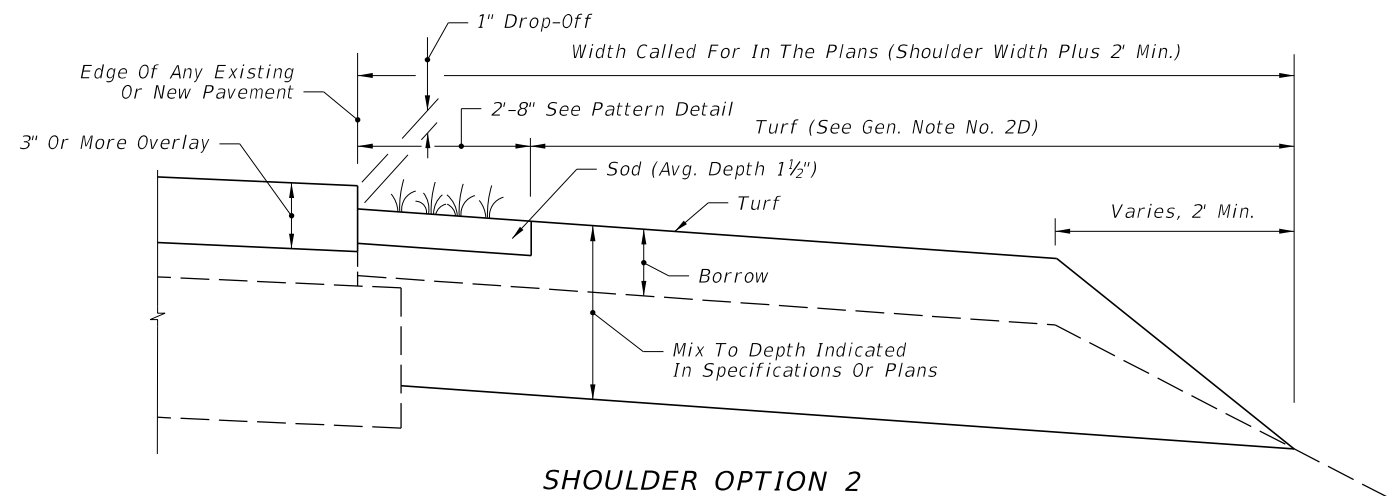
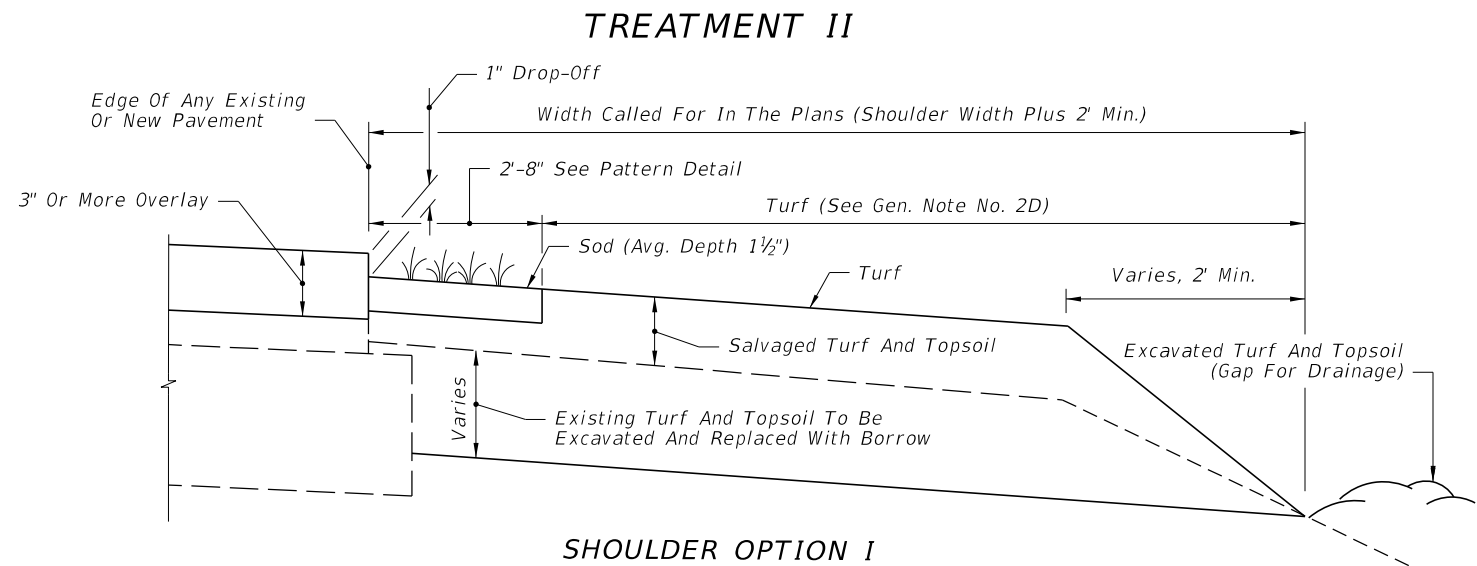
**CRITERIA FOR USING TREATMENT I**

- Project \_\_\_
- is resurfacing, widening and resurfacing or construction of shoulder pavement
  - is rural or is urban without curb and gutter
  - resurfacing build-up is less than 3"



**GENERAL NOTES**

- Treatment I:
  - If trenching under sod is necessary to achieve the required 1" drop-off, excavated turf and topsoil are to be used for filling voids and low areas at the edge of pavement or for flushing along the edge of sod. Excess material to be uniformly distributed over the shoulder.
  - Payment for sod, excavation of turf and topsoil and for back fill of this material under Treatment I is to be included in the contract unit price for Performance Turf, SY. Finish Soil Layer not required.
- Treatment II:
  - All borrow shall meet requirements for a "Select" material in accordance with Index 505 and Section 120 of the Standard Specifications.
  - Borrow may be used in lieu of excavated turf and topsoil when economically feasible, however the upper 6" shall meet the requirements of Section 162 "Finished Soil Layer". There will be no additional payment for substituting borrow for excavated turf and topsoil.
  - When existing turf and topsoil do not meet the requirements of Section 162 "Finished Soil Layer", provide additive materials as necessary in the upper 6" to meet the requirements of Section 162. There will be no additional payment for additives.
  - Payment for Treatment II will be under Finished Soil Layer. Sod and other materials for turf establishment shall be paid for as Performance Turf, SY.
- Special attention is to be directed to the construction of the required 1" drop-off at the edge of pavement.
- Activities such as clearing, grading, and excavating that will disturb one or more acres of land require coverage under the Generic Permit for Stormwater Discharge from Large and Small Construction Activities from the Florida Department of Environmental Protection, and implementation of appropriate pollution prevention measures to minimize erosion and sedimentation and properly manage stormwater.
- Turf Establishment:
  - Wildflowers destroyed by shoulder sodding and turf operations are to be reestablished under the seeding rates prescribed for permanent wildflower #2 Group shown by table on Index 104.
  - All turf establishment shall be performed meeting the requirements of Section 570 of the Standard Specifications.



**CRITERIA FOR USING TREATMENT II**

- Project \_\_\_
- is resurfacing or construction of shoulder pavement
  - is rural or is urban without curb and gutter
  - resurfacing build-up is 3" or more

A SIMILAR TREATMENT MAY BE USED FOR PROJECTS THAT REQUIRE SHOULDER WIDENING. DETAILS ARE TO BE SHOWN IN THE PLANS.

12/30/2011 11:26:40 AM r0960rh C:\projects\standards\roadway\00100-s\00105-01.dgn

LAST REVISION	DESCRIPTION:		<b>FDOT DESIGN STANDARDS</b> FY 2012/2013	<b>SHOULDER SODDING AND TURF</b> <b>ON EXISTING FACILITIES</b>	INDEX NO.	SHEET NO.
07/01/10					105	1