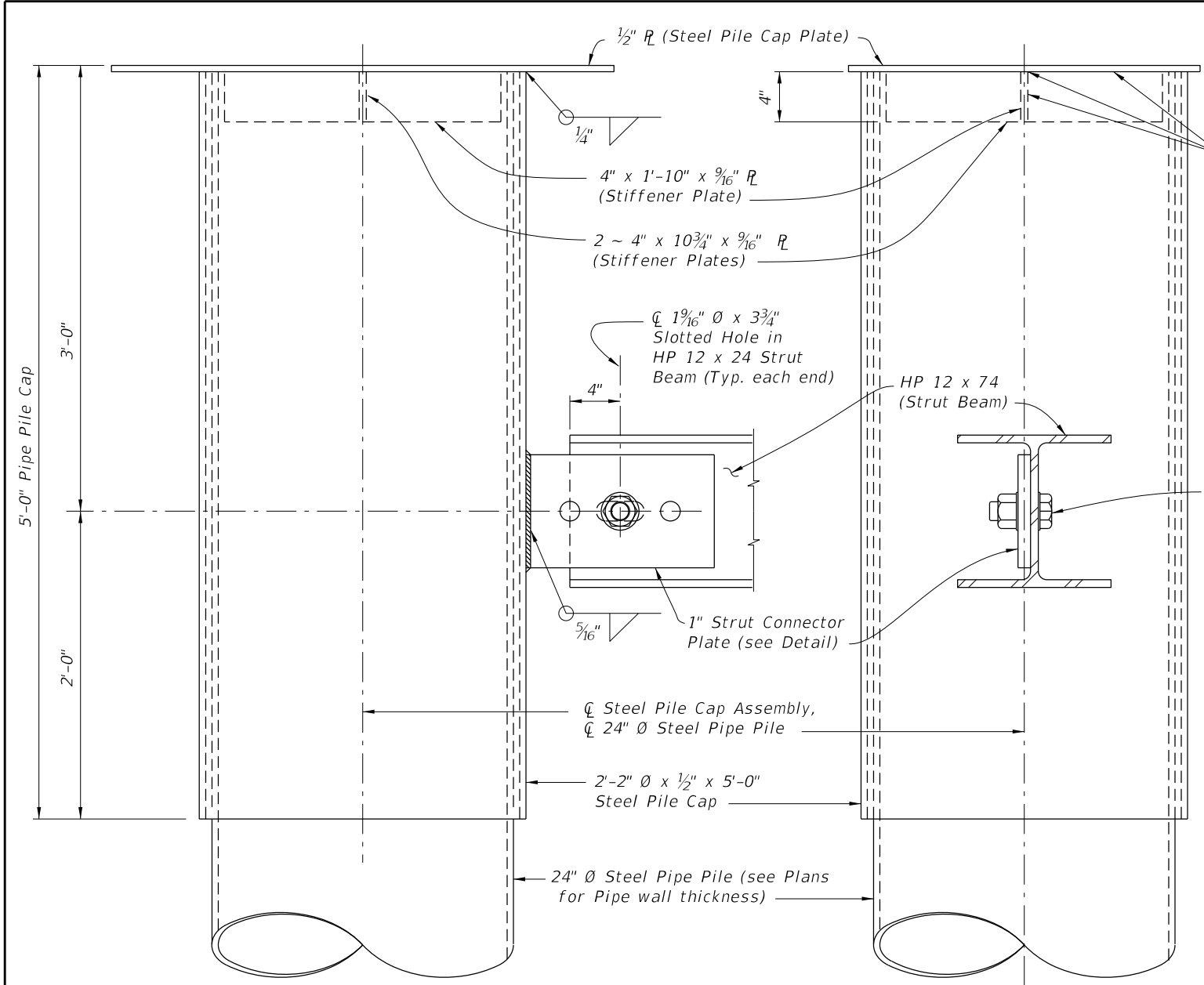
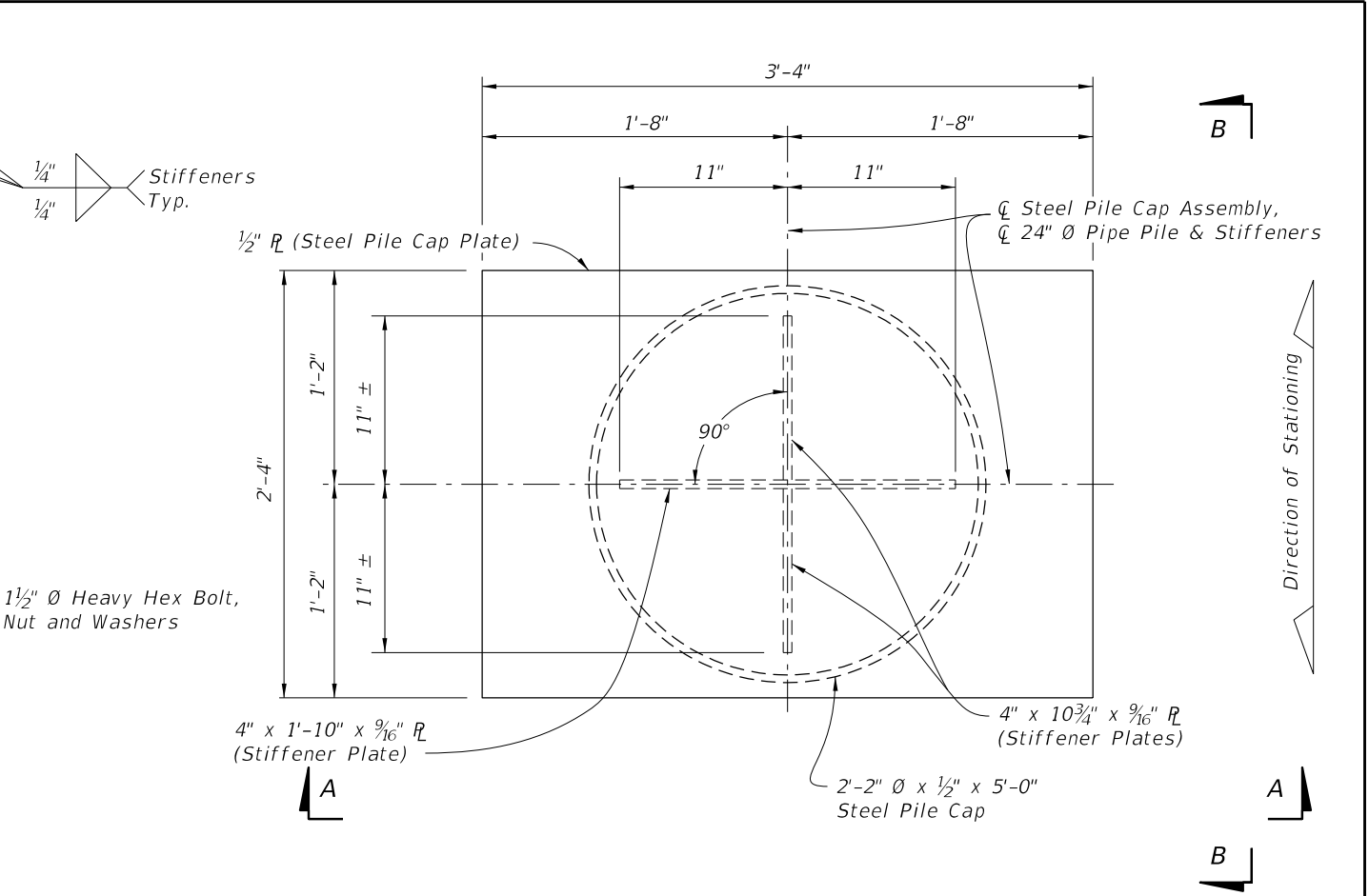


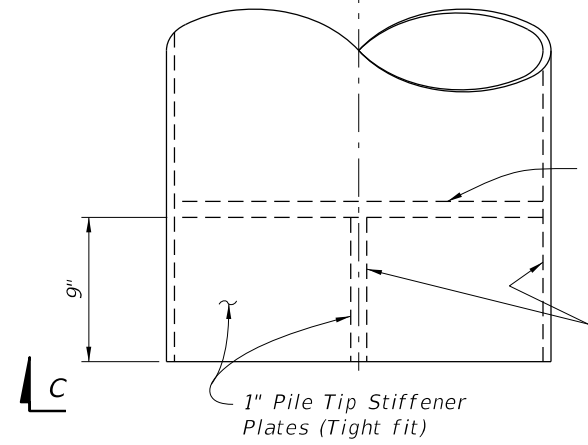
12/30/2011 11:51:46 AM rd9607h C:\projects\standards\structures\current\ready\4release\2012book_draft\21630-1of3.dgn



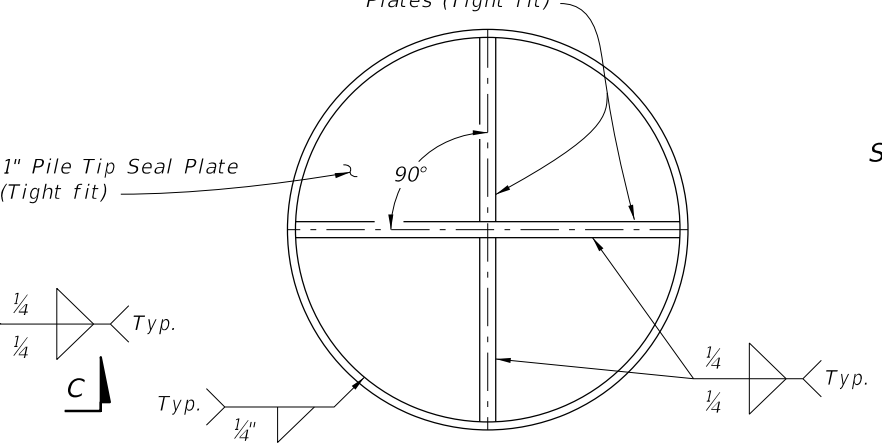
PARTIAL VIEW A-A



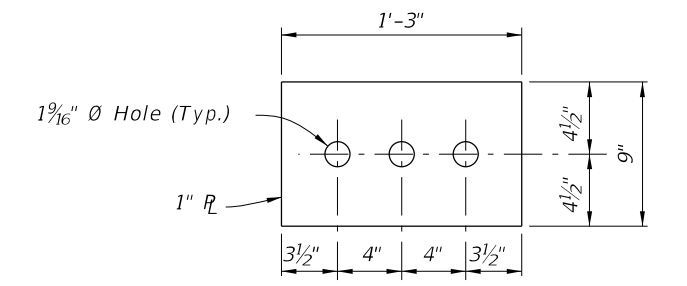
PLAN VIEW STEEL PILE CAP ASSEMBLY
(Bearing Plates and Bearing Keeper Bars not show for clarity)




VIEW B-B



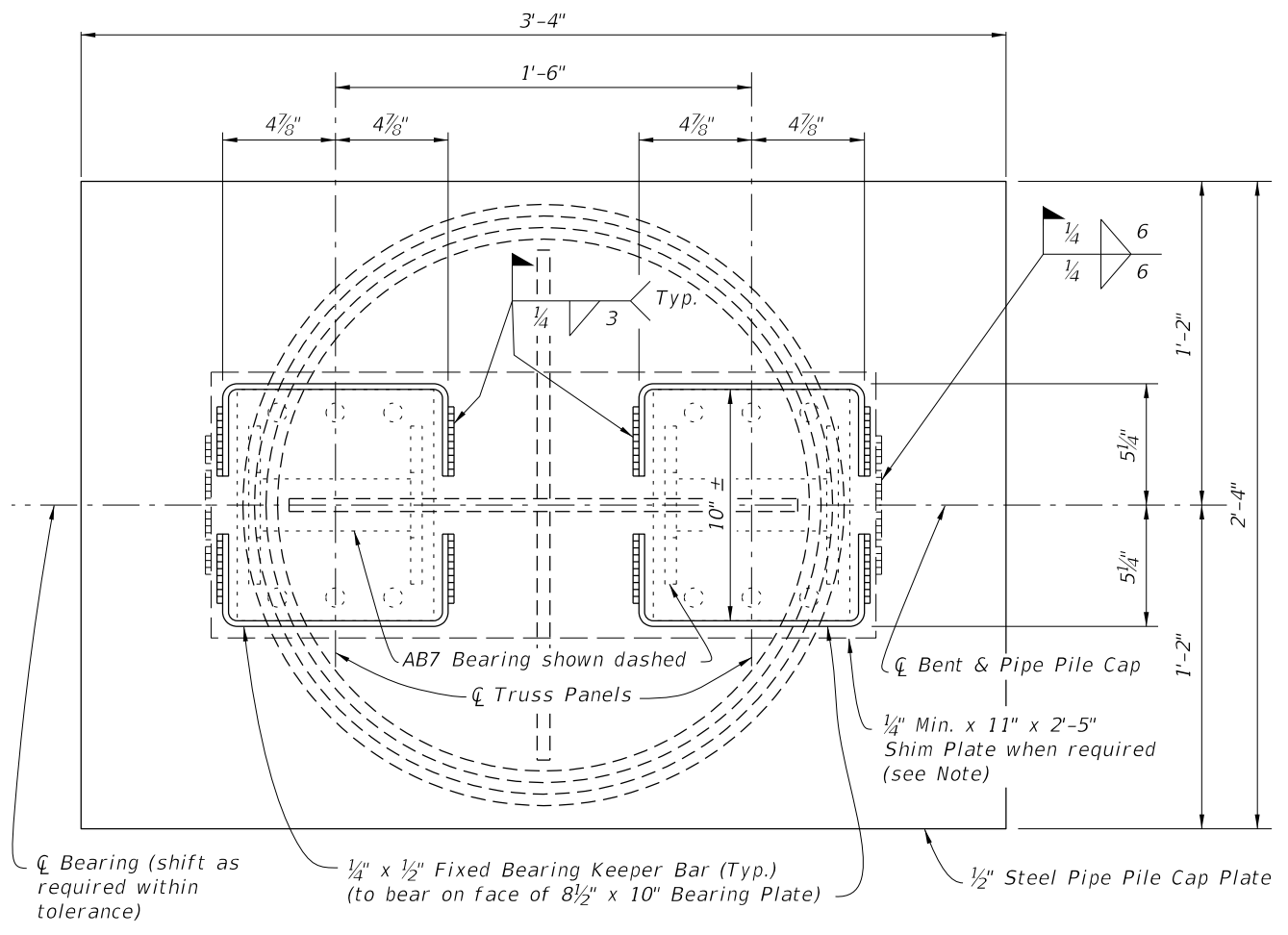
VIEW C-C
PILE TIP DETAIL



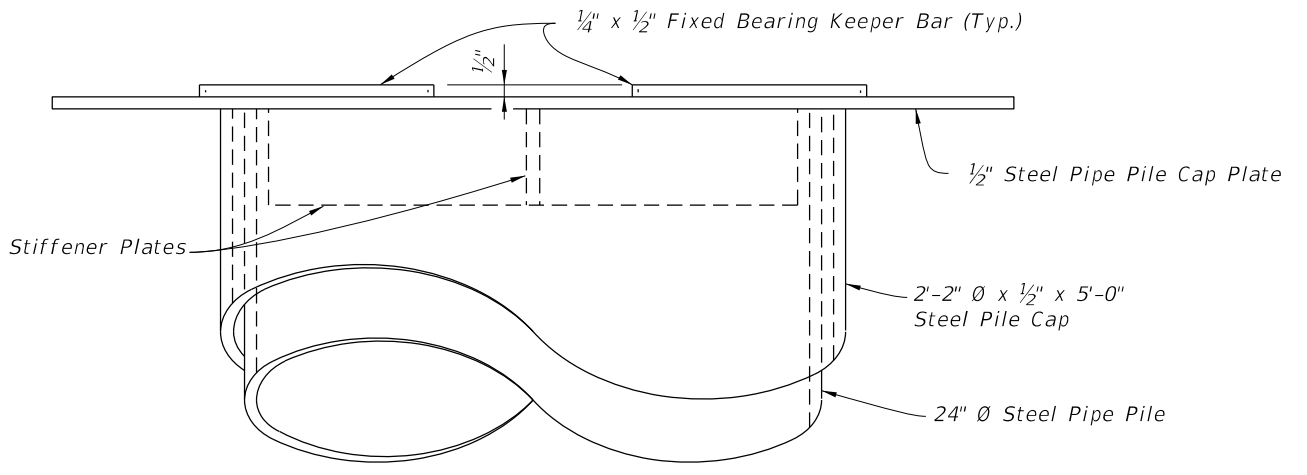
STRUT CONNECTOR PLATE DETAIL

LAST REVISION	REVISION	DESCRIPTION:		FDOT DESIGN STANDARDS FY 2012/2013	TEMPORARY DETOUR BRIDGE DETAILS - STEEL PIPE PILE FOUNDATIONS	INDEX NO. 21630	SHEET NO. 1
07/01/06							

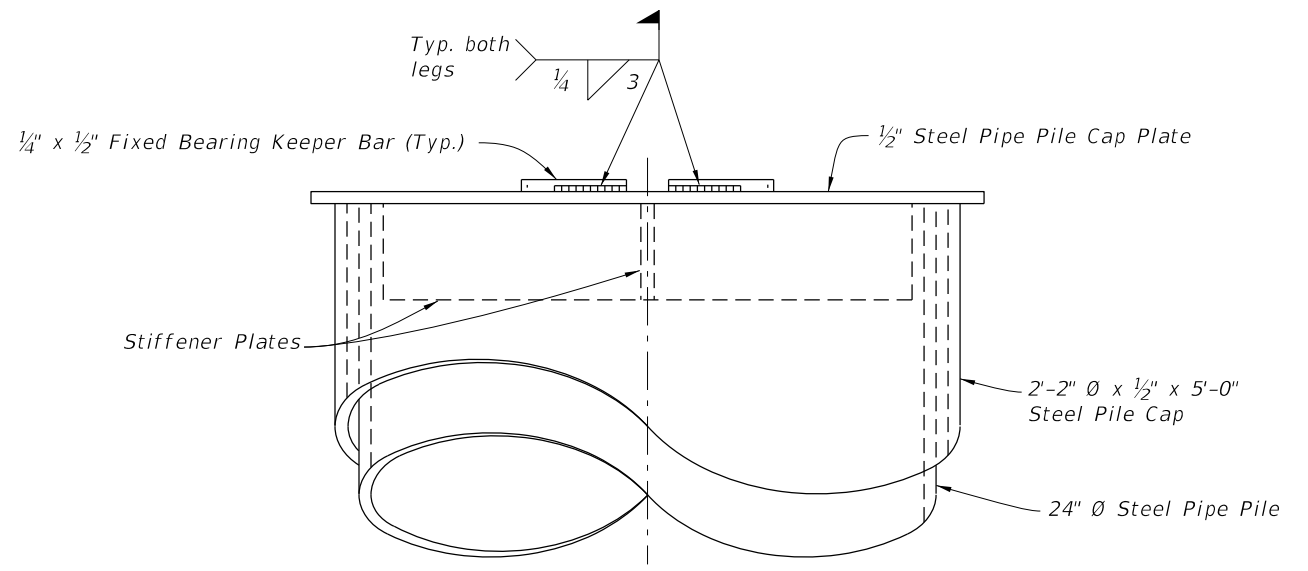
12/30/2011 11:51:47 AM rd960rh C:\projects\standards\structures\current\ready\4release\2012book_draft\21630-2of3.dgn



PARTIAL PLAN VIEW

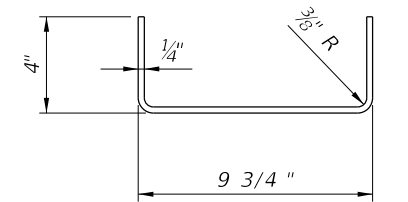


PARTIAL ELEVATION VIEW



END VIEW

Note:
Use Shim Plates as required to provide equal bearing seat elevations across the bent. Vary thickness of Shim Plate across the pile cap plate to provide a level bearing area in the transverse direction.

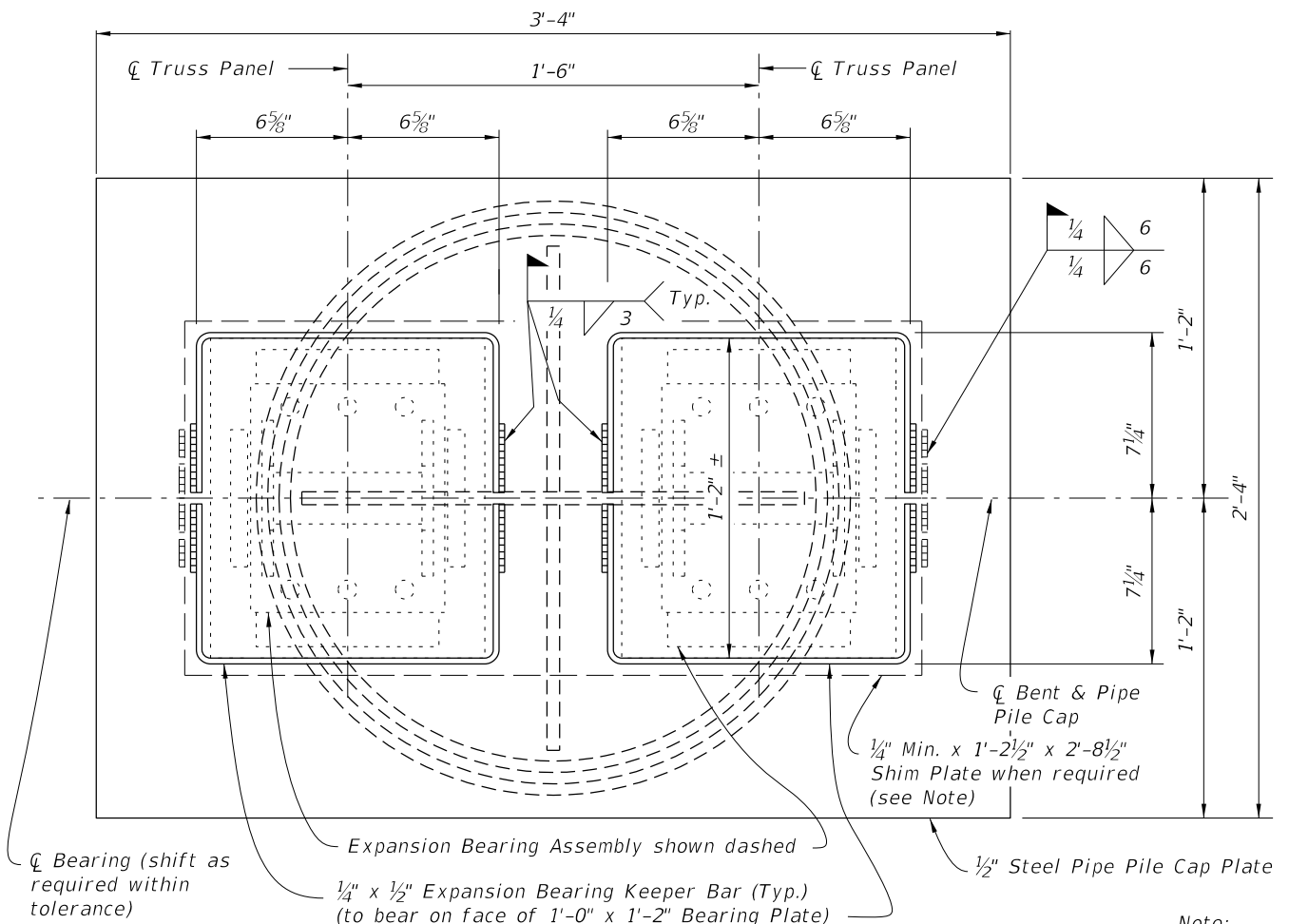


FIXED BEARING KEEPER BAR DETAIL

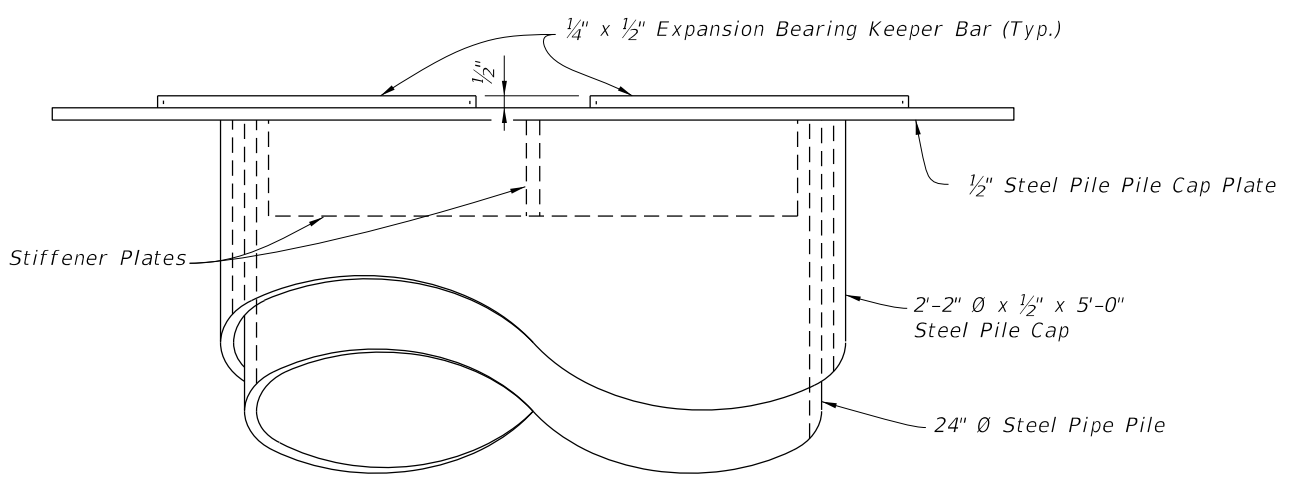
FIXED BEARING DETAILS

LAST REVISION	REVISION	DESCRIPTION:		FDOT DESIGN STANDARDS FY 2012/2013	TEMPORARY DETOUR BRIDGE DETAILS - STEEL PIPE PILE FOUNDATIONS	INDEX NO. 21630	SHEET NO. 2
07/01/06							

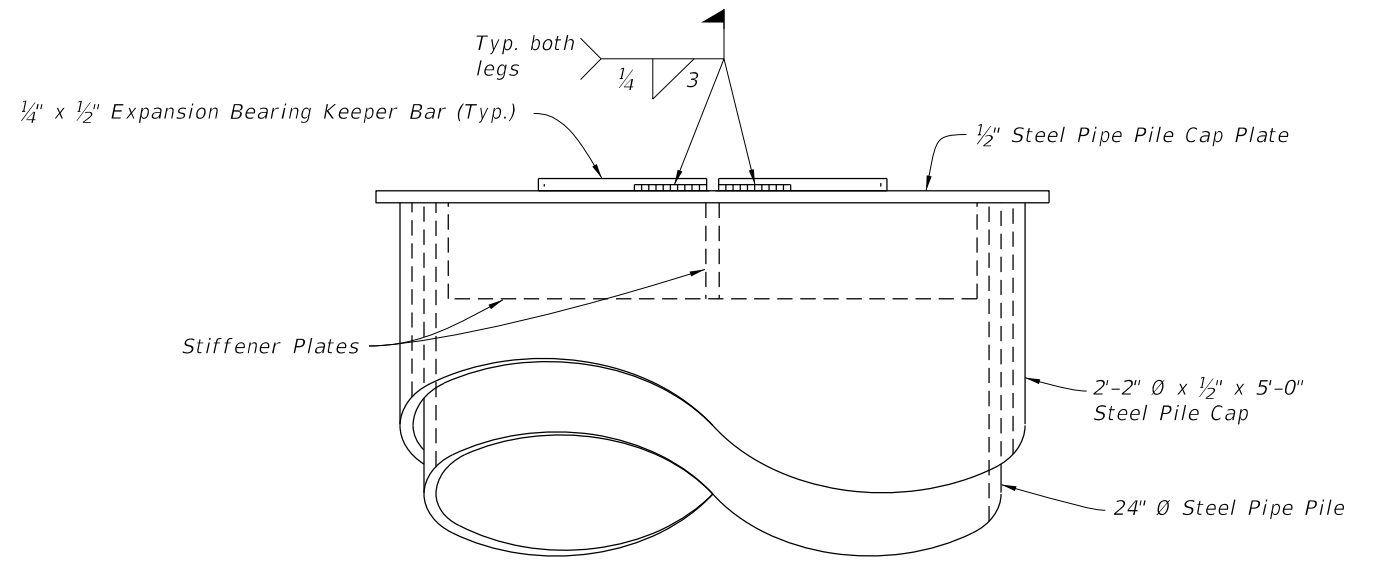
12/30/2011 11:51:48 AM rd960rh C:\projects\standards\structures\current\ready\4release\2012book_draft\21630-3of3.dgn



PARTIAL PLAN VIEW

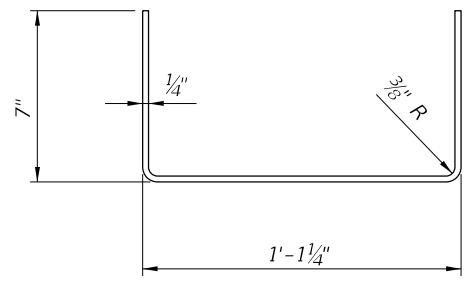


PARTIAL ELEVATION VIEW




END VIEW

Note:
 Use Shim Plates as required to provide equal bearing seat elevations across the bent. Vary thickness of Shim Plate across the pile cap plate to provide a level bearing area in the transverse direction.



EXPANSION BEARING KEEPER BAR DETAIL

ABUTMENT AND INTERMEDIATE EXPANSION BEARING DETAILS

LAST REVISION	REVISION	DESCRIPTION:		FDOT DESIGN STANDARDS FY 2012/2013	TEMPORARY DETOUR BRIDGE DETAILS - STEEL PIPE PILE FOUNDATIONS	INDEX NO. 21630	SHEET NO. 3
07/01/06							