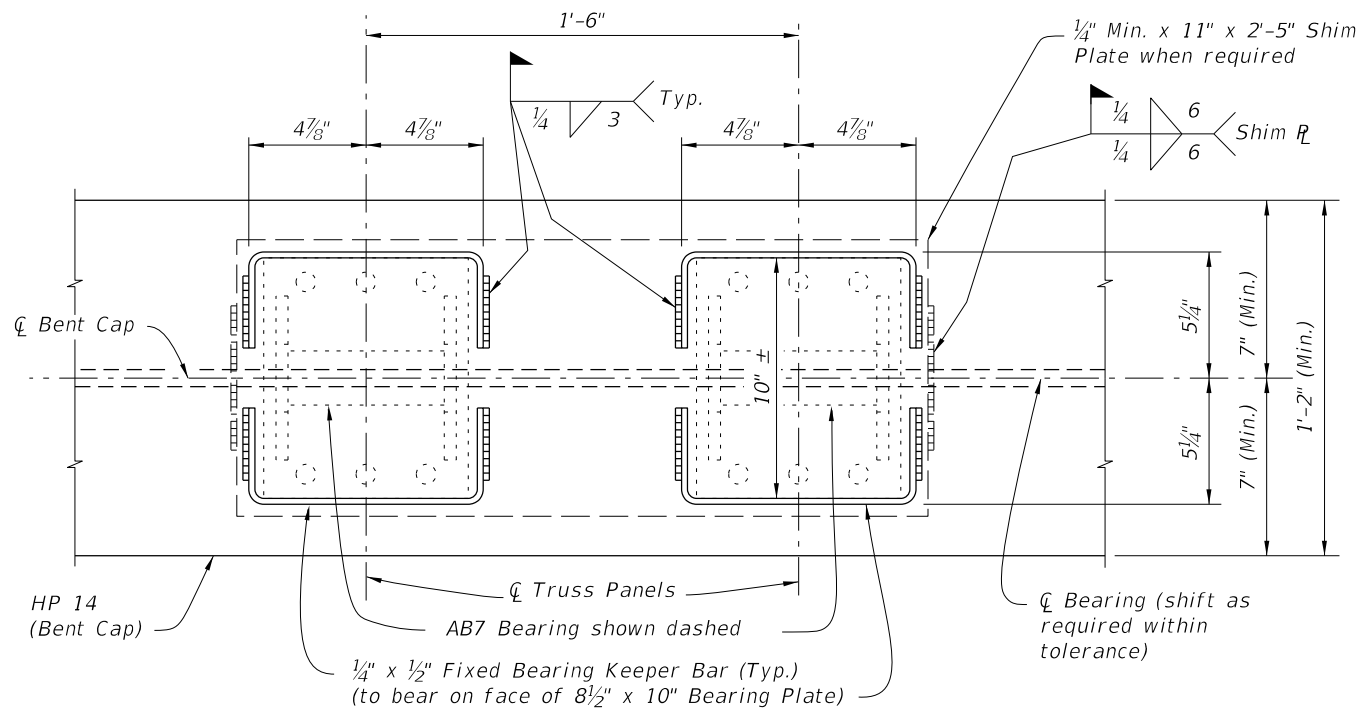
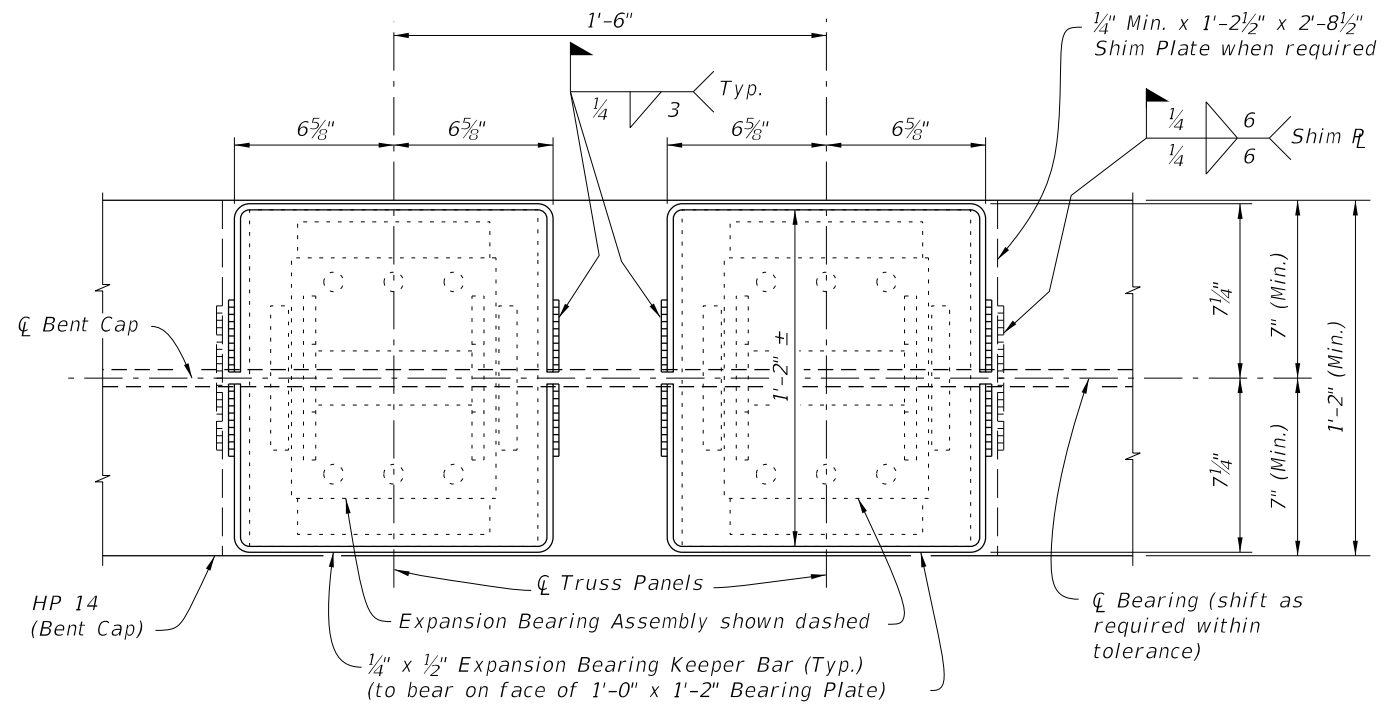


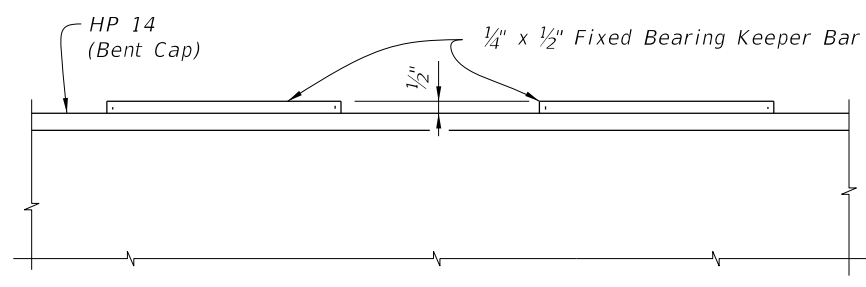
12/30/2011 11:51:45 AM rd9607h C:\projects\standards\structures\current\ready\4release\2012book\_draft\21620-1of2.dgn



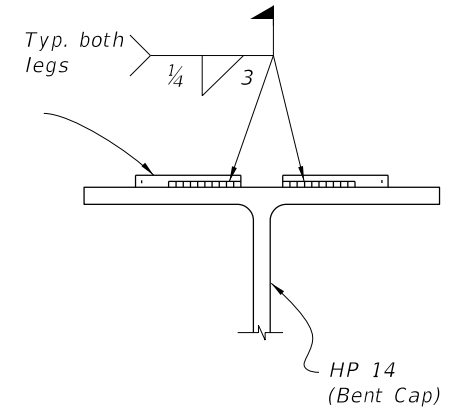
PARTIAL PLAN VIEW



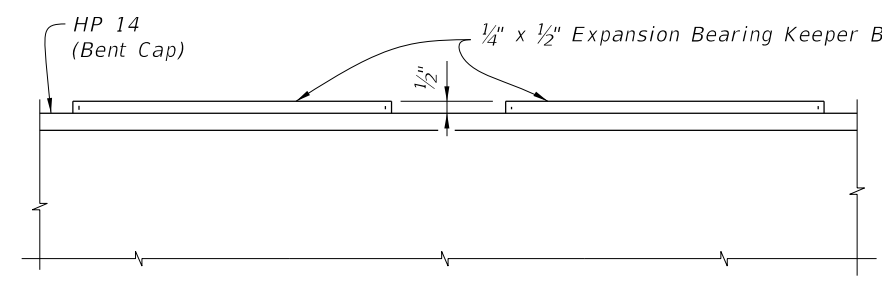
PARTIAL PLAN VIEW



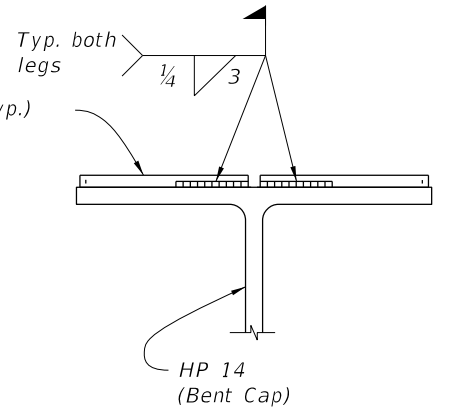
PARTIAL ELEVATION VIEW



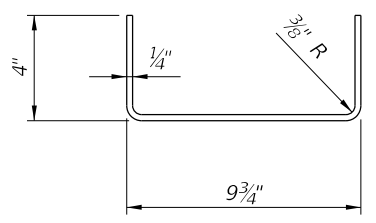
END VIEW



PARTIAL ELEVATION VIEW

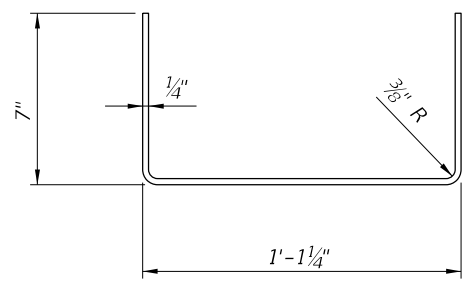


END VIEW




FIXED BEARING KEEPER BAR DETAIL

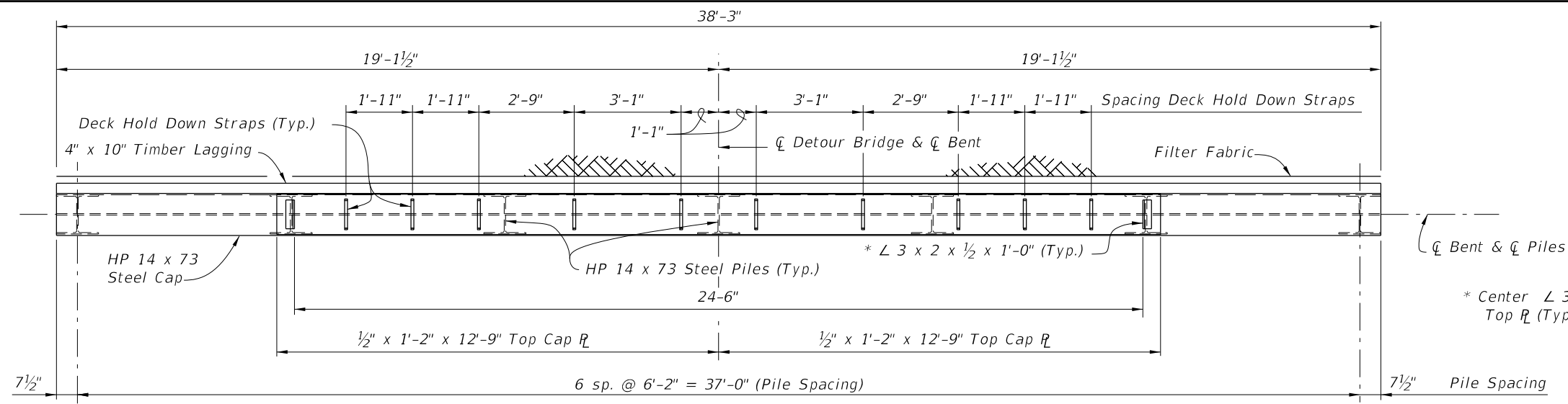
===== FIXED BEARING DETAILS =====



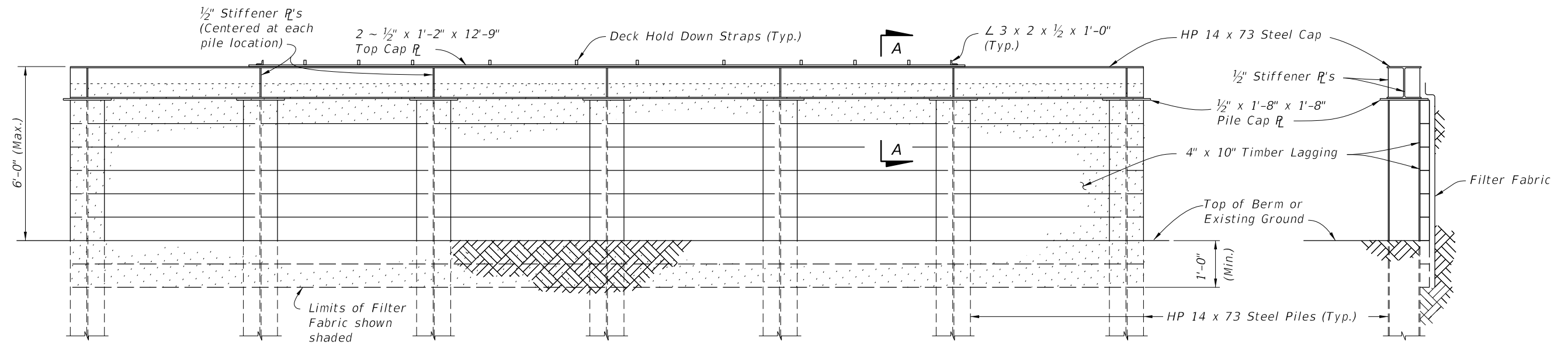
EXPANSION BEARING KEEPER BAR DETAIL

===== EXPANSION BEARING DETAILS =====

LAST REVISION	DESCRIPTION:	 <b>FDOT DESIGN STANDARDS</b> FY 2012/2013	<b>TEMPORARY DETOUR BRIDGE DETAILS -</b> <b>STEEL H PILE FOUNDATIONS</b>	INDEX NO.	SHEET NO.
07/01/06				21620	1

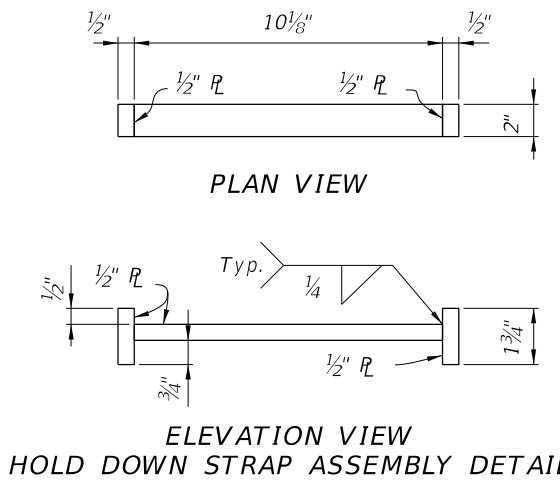
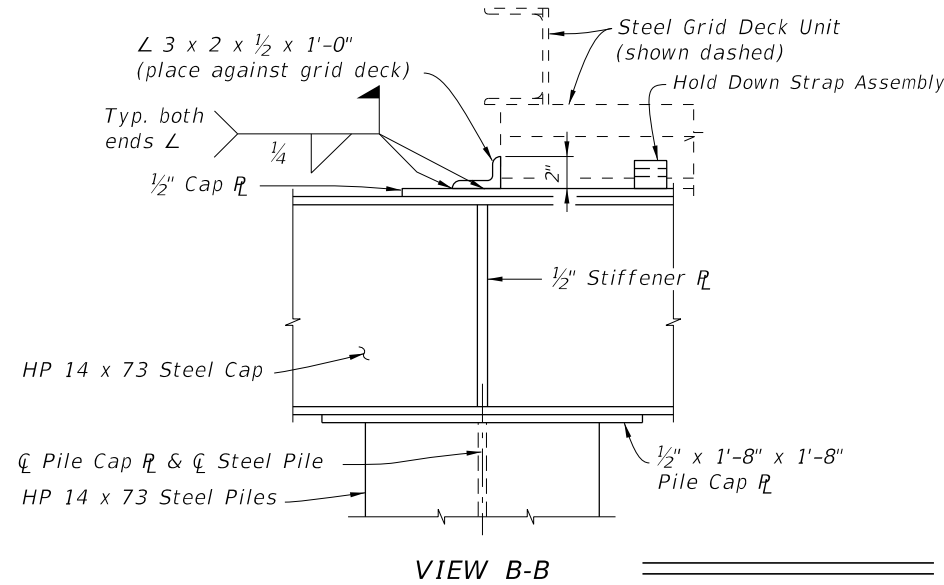
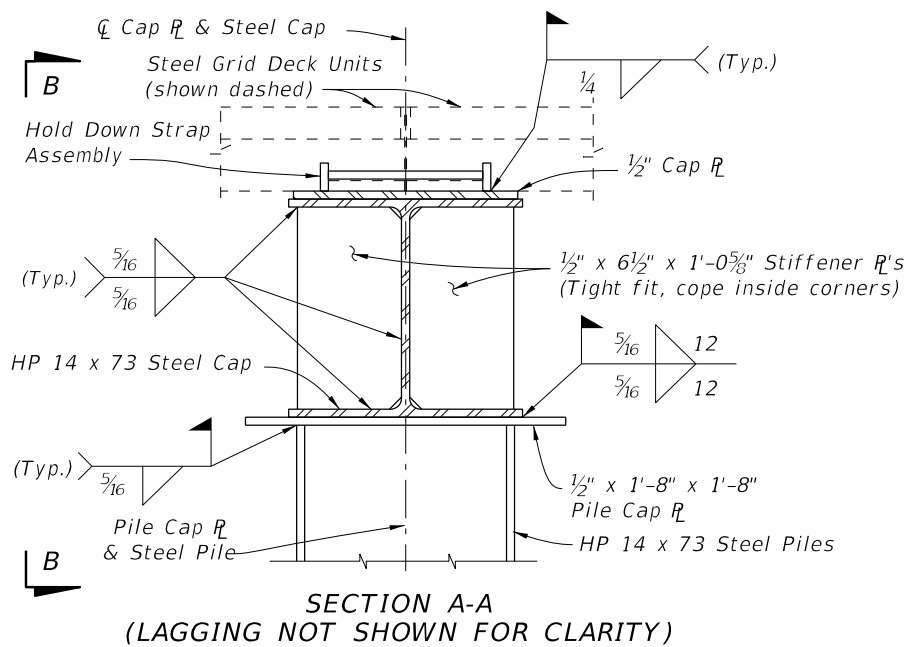


PLAN VIEW




ELEVATION VIEW

END VIEW



BACKWALL BENT DETAILS

C:\projects\standards\structures\current\ready\4release\2012book\_draft\21620-2of2.dgn  
 rd960rh  
 11:51:46 AM  
 12/30/2011

LAST REVISION	DESCRIPTION:	 <b>FDOT DESIGN STANDARDS</b> FY 2012/2013	<b>TEMPORARY DETOUR BRIDGE DETAILS -</b> <b>STEEL H PILE FOUNDATIONS</b>	INDEX NO.	SHEET NO.
07/01/06				21620	2