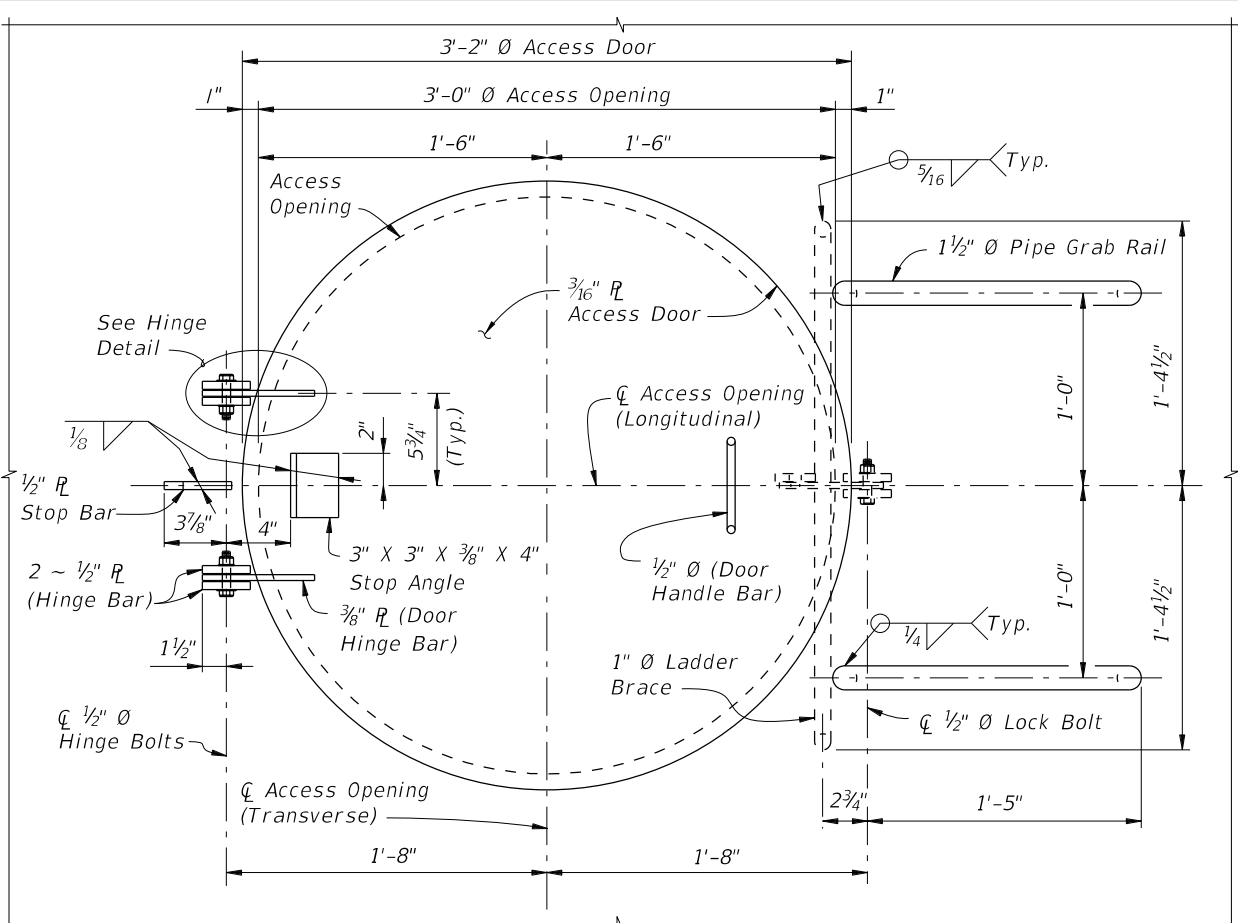
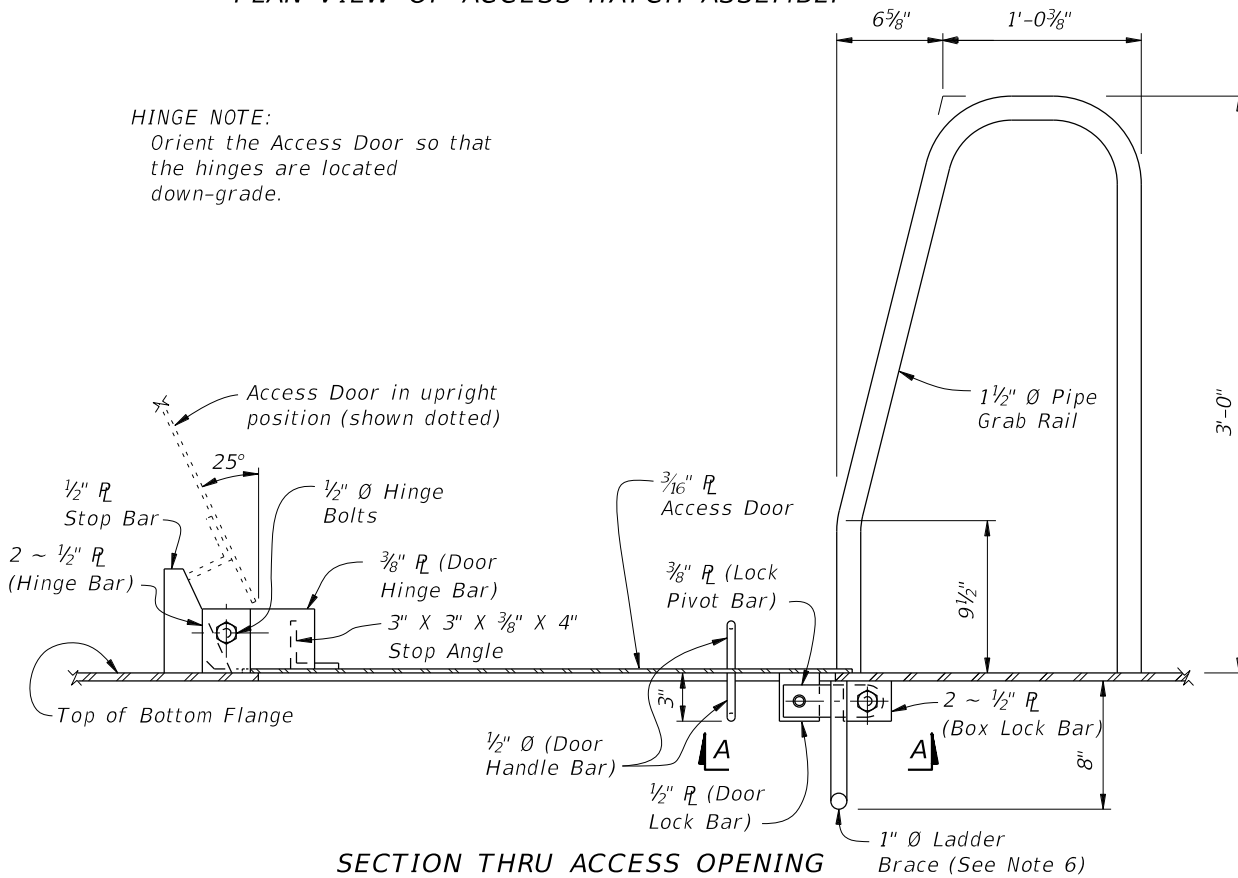


C:\projects\standards\structures\current\read\4release\2012book_draft\21250-1of1.dgn
rd960rh
11:51:32 AM
12/30/2011

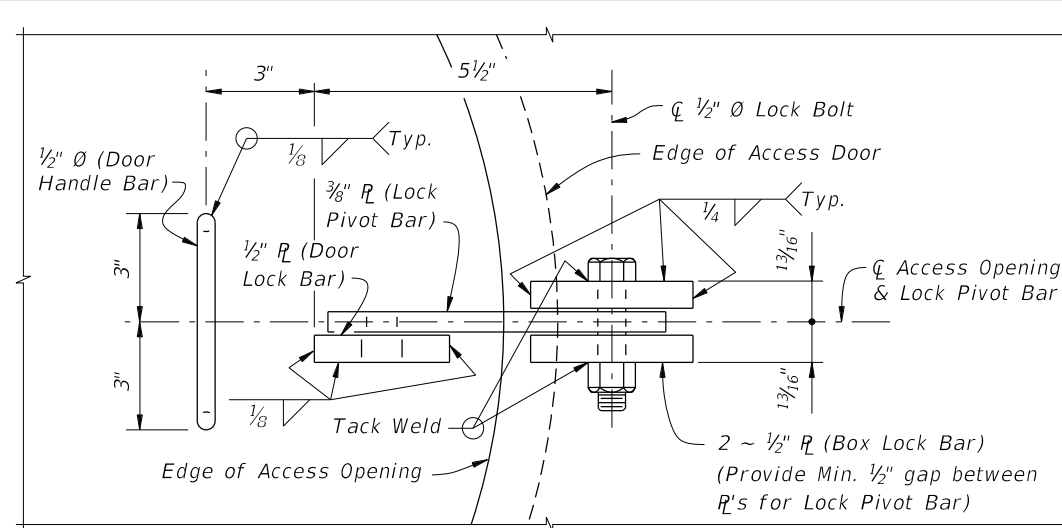


PLAN VIEW OF ACCESS HATCH ASSEMBLY

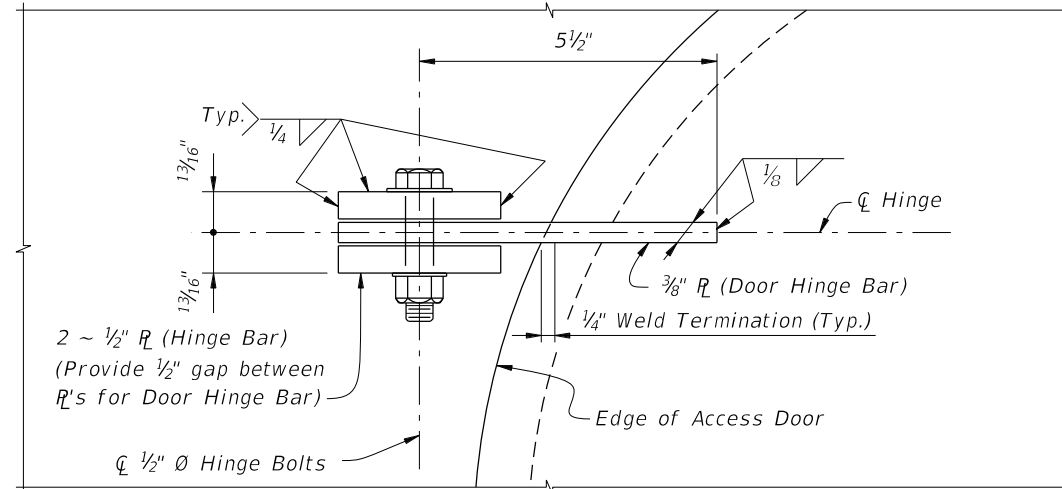
HINGE NOTE:
Orient the Access Door so that the hinges are located down-grade.



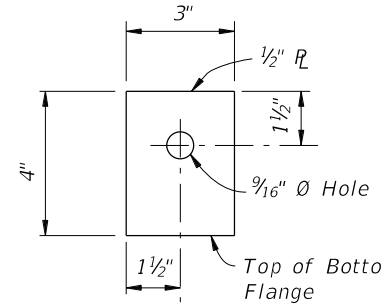
SECTION THRU ACCESS OPENING



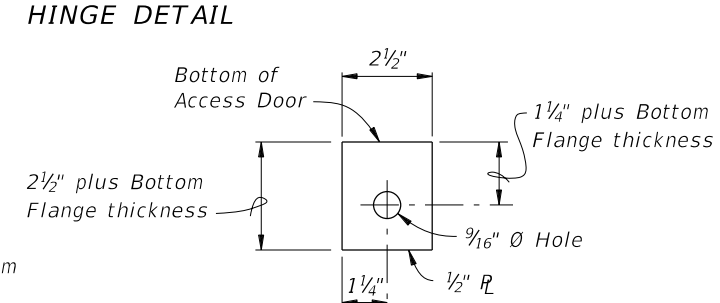
BOTTOM VIEW A-A



HINGE DETAIL

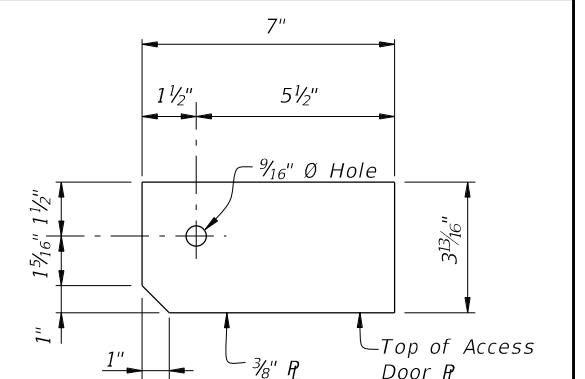


HINGE BAR DETAIL

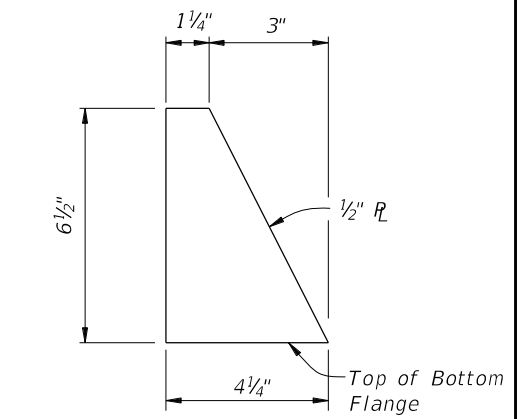


DOOR LOCK BAR DETAIL

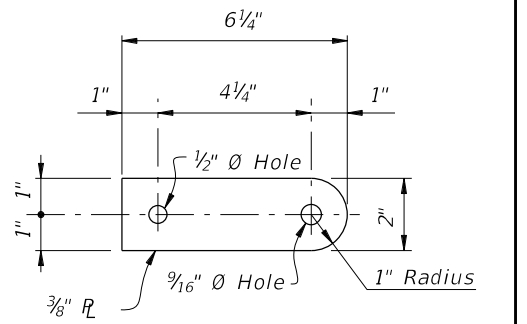
- NOTES:**
- All Structural Steel material in Access Door Assemblies shall conform to ASTM A709 Grade 36.
 - 1 1/2" Ø Pipe Grab Rail shall be in accordance with ASTM A53 Grade B for standard weight pipe (Schedule 40).
 - 1/2" Ø Door Handle Bar and 1" Ø Ladder Brace shall be in accordance with ASTM A36.
 - All bolts shall conform to ASTM A307 or A449. All nuts shall conform to ASTM A563 and all washers shall conform to ASTM F-436.
 - All exposed edges of plates and openings shall be ground smooth.
 - Place Ladder Brace near the End Bents exclusively and only when the height is reasonable for access by a Ladder.
 - See Framing Plan sheets for locations of Access Door Openings.
 - Coat structural steel in accordance with Specification Section 560.
 - All costs associated with Access Hatch Assembly and incidental items will be paid for under the Access Hatch Assembly pay item. No separate payment will be made for coating structural steel.



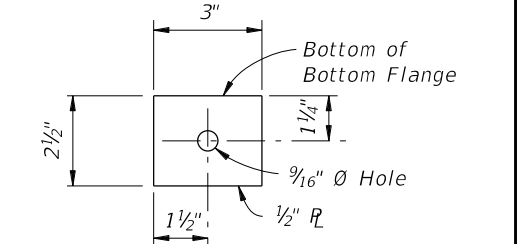
DOOR HINGE BAR DETAIL



STOP BAR DETAIL



LOCK PIVOT BAR DETAIL



BOX LOCK BAR DETAIL

LAST REVISION	DESCRIPTION:
01/01/11	

LAST REVISION	DESCRIPTION:



FDOT DESIGN STANDARDS
FY 2012/2013

ACCESS HATCH ASSEMBLY
FOR STEEL BOX SECTIONS

INDEX NO.	SHEET NO.
21250	1