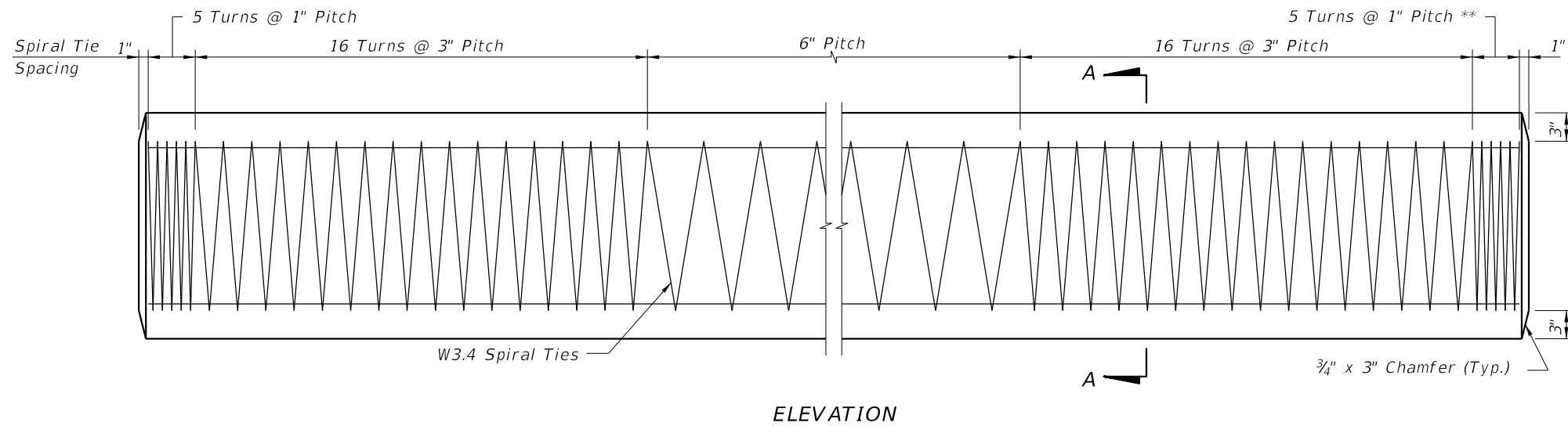
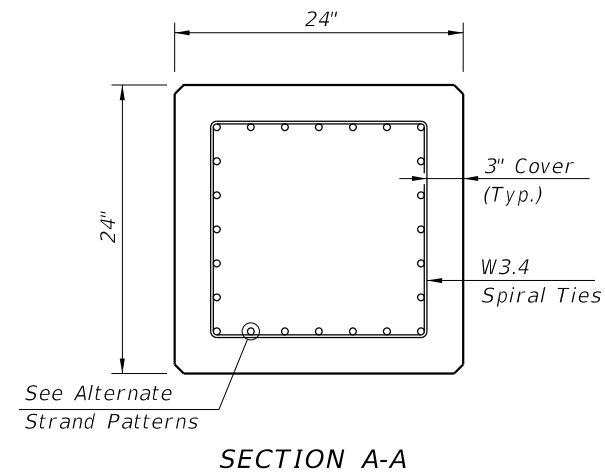


C:\projects\standards\structures\current\ready\4release\2012book\_draft\20624-1of1.dgn  
12/30/2011 11:50:59 AM rd960rh



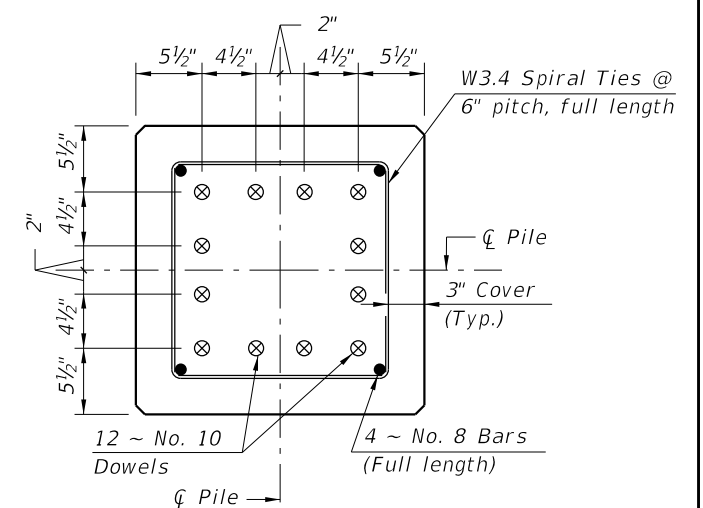
\*\* See Note No. 4 on Index No. 20601



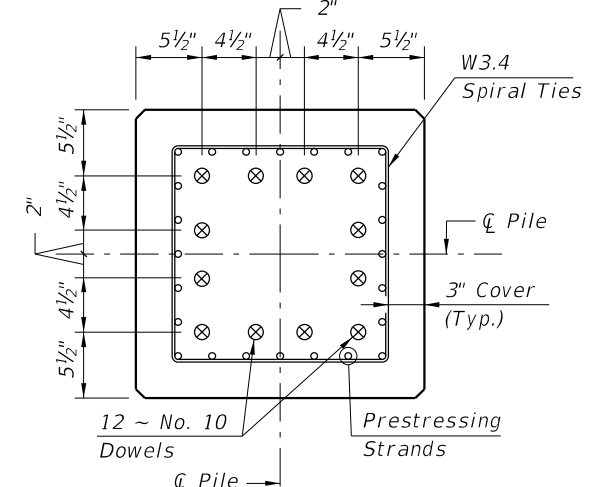
**ALTERNATE STRAND PATTERNS**

- 16 ~ 0.6" Ø, Grade 270 LRS, at 44 kips
- 20 ~ 1/2" Ø (Special), Grade 270 LRS, at 34 kips
- 24 ~ 1/2" Ø, Grade 270 LRS, at 31 kips

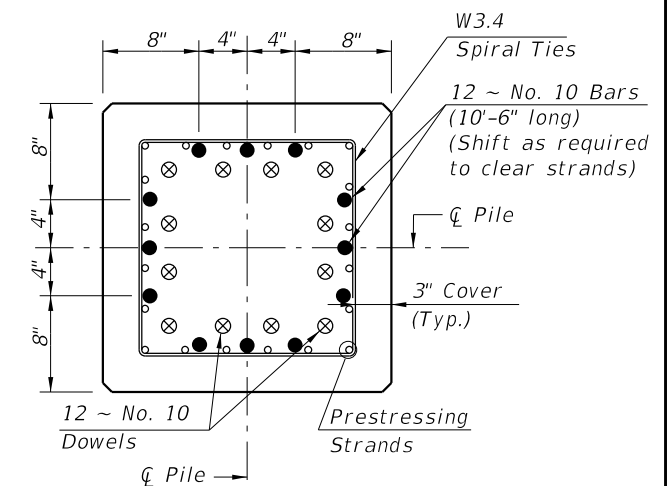
**NOTES:**  
 1. Work this Index with Index No. 20600 - Notes and Details for Square Prestressed Concrete Piles and Index No. 20601 - Square Prestressed Concrete Pile Splices.  
 2. Any of the given Alternate Strand Patterns may be utilized. The strands shall be located as follows:  
 Place one strand at each corner and place the remaining strands equally spaced between the corner strands.  
 The total strand pattern shall be concentric with the nominal concrete section of the pile.



**SECTION D-D**  
(See Nondrivable Unforeseen Reinforced Precast Pile Splice Detail)

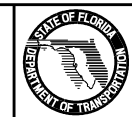


**SECTION E-E**  
(See Drivable Prestressed Precast Pile Splice Detail)



**SECTION F-F**  
(See Drivable Preplanned Pile Splice Detail)

LAST REVISION	DESCRIPTION:
01/01/12	



**FDOT DESIGN STANDARDS**  
FY 2012/2013

**24" SQUARE PRESTRESSED CONCRETE PILE**

INDEX NO.	SHEET NO.
20624	1