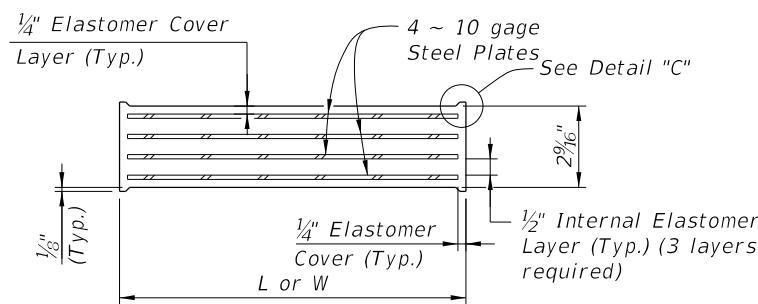
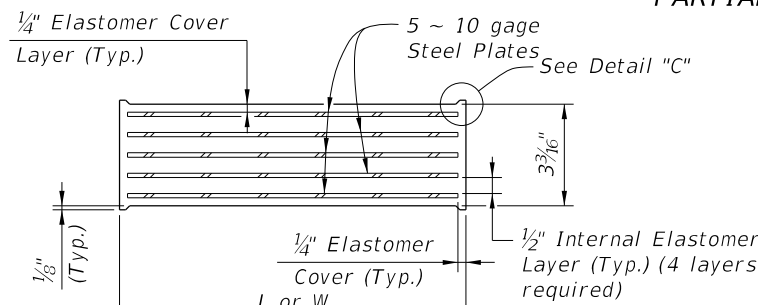


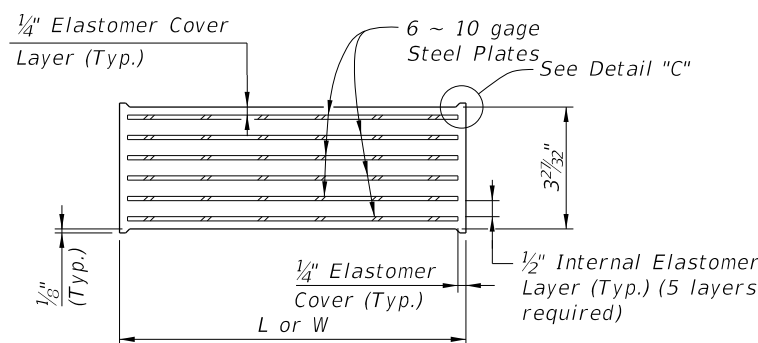
TYPICAL SECTION TYPE D & E PAD



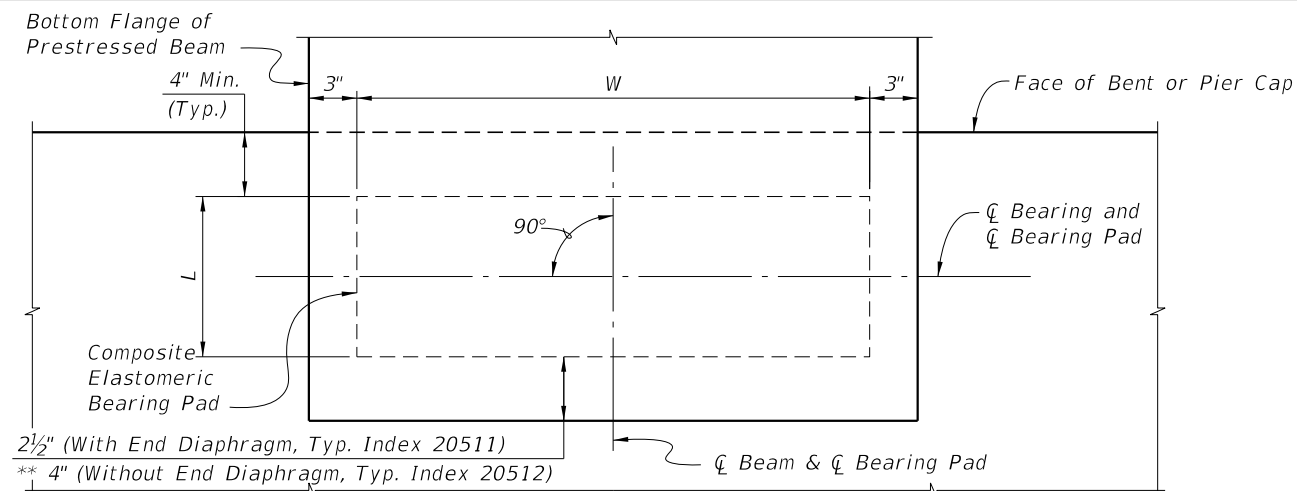
TYPICAL SECTION TYPE F & G PAD



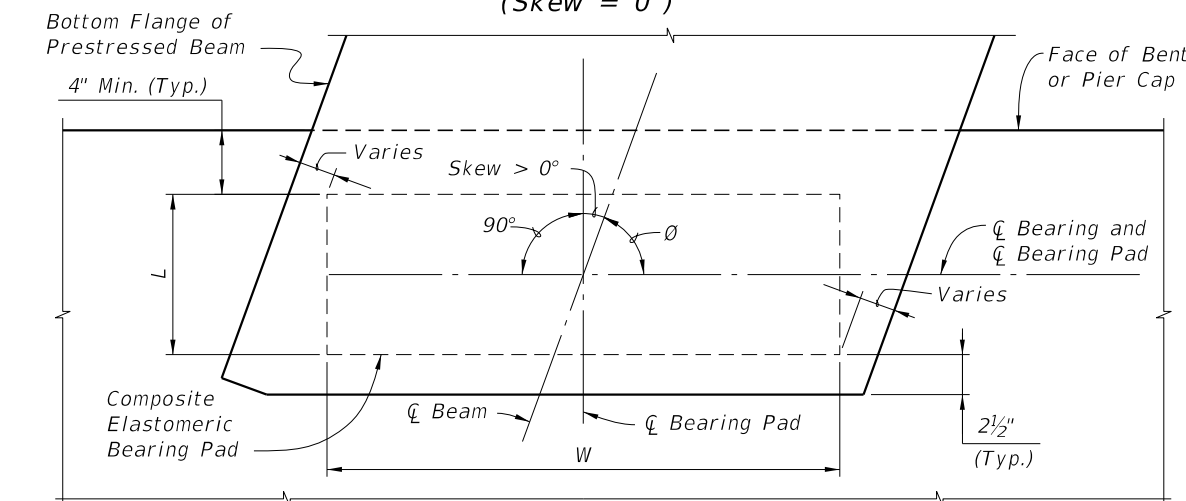
TYPICAL SECTION TYPE H PAD



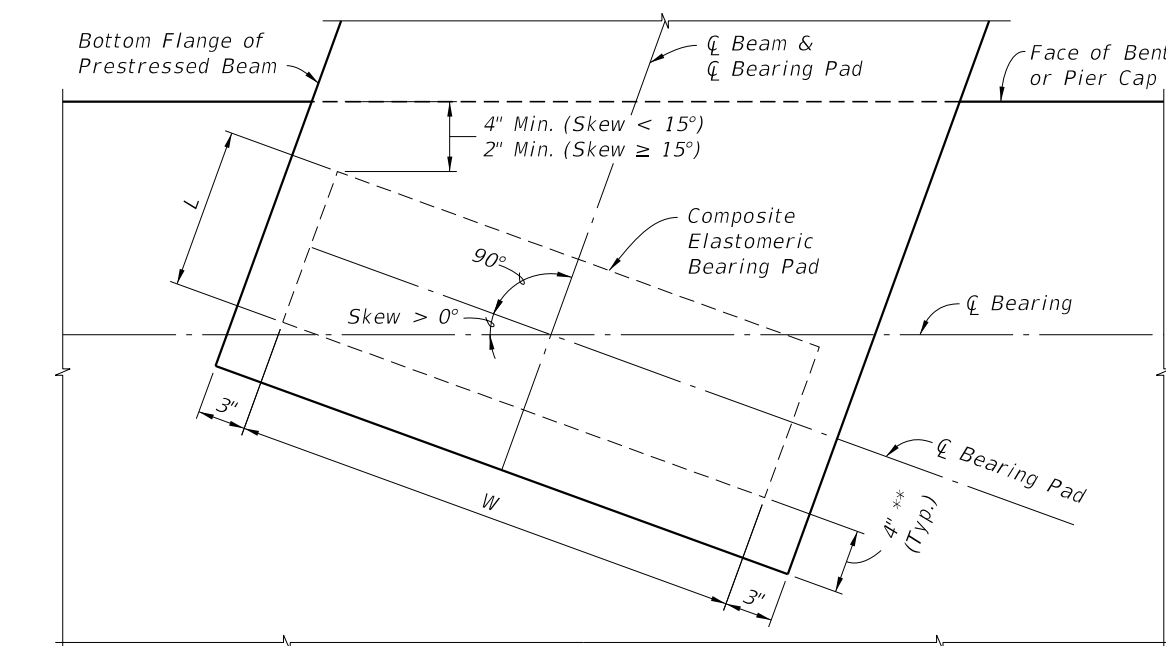
TYPICAL SECTION TYPE J & K PAD



PARTIAL PLAN WITH OR WITHOUT FULL DEPTH END DIAPHRAGM (Skew = 0°)



PARTIAL PLAN WITH SKEWED END BEAM AND FULL DEPTH END DIAPHRAGM (Use Index 20511) (Skew > 0°)

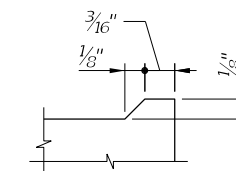


PARTIAL PLAN WITH SQUARED END BEAM (Use Index 20512) (Skew > 0°)

PAD TYPE (See Note 1)	BEARING PAD DIMENSIONS		*BEVELED BEARING PLATE DIMENSIONS	
	L	W	C	D
D (G=110psi)	8"	2'-8"	1'-0"	3'-0"
E (G=110psi)	10"	2'-8"	1'-0"	3'-0"
F (G=110psi)	10"	2'-8"	1'-0"	3'-0"
G (G=150psi)	10"	2'-8"	1'-0"	3'-0"
H (G=150psi)	10"	2'-8"	1'-0"	3'-0"
J (G=150psi)	10"	2'-8"	1'-0"	3'-0"
K (G=150psi)	1'-0"	2'-8"	1'-1 1/2"	3'-0"

* Work this sheet with the appropriate type Bearing Plate Detail (See Bearing Plate Data Table) and BEARING PAD DATA TABLE in the Structures Plans. See TABLE OF BEAM VARIABLES and BEARING PLATE DATA TABLE in the Structures Plans for locations where beveled bearing plates are required.

** Offset to End of Beam is reduced to 2" for Type K Pad using Index No. 20512.



DETAIL "C"

BEARING PAD NOTES:

1. Neoprene in Type D, E & F bearing pads shall have a shear modulus (G) of 110 psi. Neoprene in Type G, H, J & K bearing pads shall have a shear modulus (G) of 150 psi.
2. Steel Plates in bearing pads shall conform to ASTM A1011 Grade 36, Type 1.
3. Unless otherwise shown in the Structures Plans:
 - (a) For beam grades less than 0.5%, finish the Beam Seat level.
 - (b) For beam grades between 0.5% and 2%, finish the Beam Seat parallel to the bottom of the beam in both transverse and longitudinal directions.
 - (c) For beam grades greater than 2% finish the Beam Seat level and provide Beveled Bearing Plates.
4. See Bearing Pad Data Table in Structures Plans for quantities of Type D, E, F, G, H, J and/or K Bearing Pads.

12/30/2011 11:50:48 AM r0960rh C:\projects\standards\structures\current\ready\4release\2012book_draft\20510-1of1.dgn