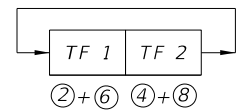
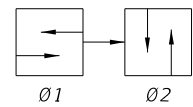
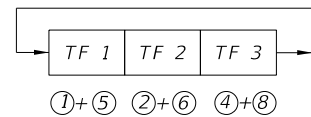
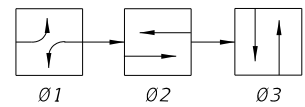


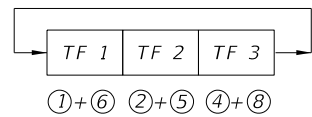
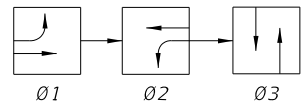
12/30/2011 11:49:47 AM r10960/h C:\projects\standards\roadway\17800-s\17870-01.dgn



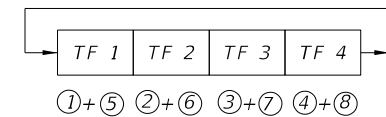
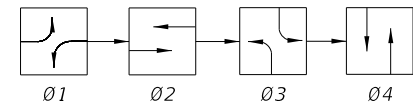
SOP 1



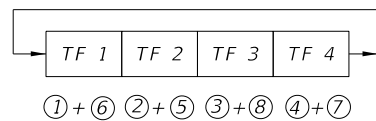
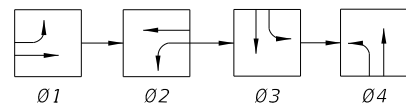
SOP 2



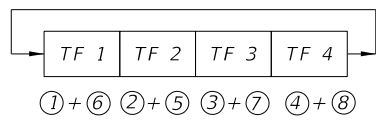
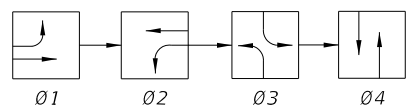
SOP 3



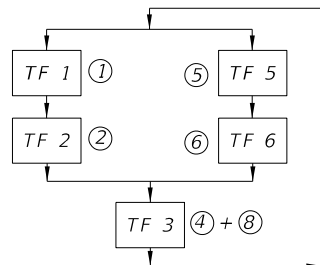
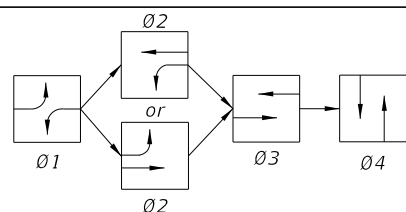
SOP 4



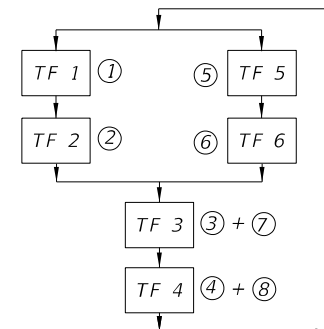
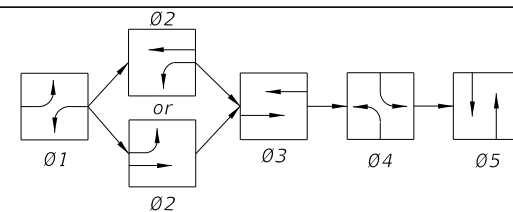
SOP 5



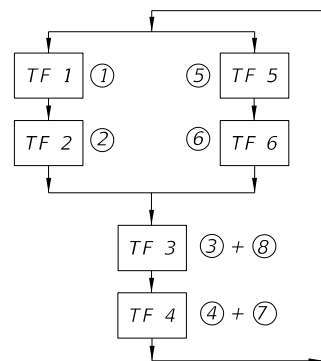
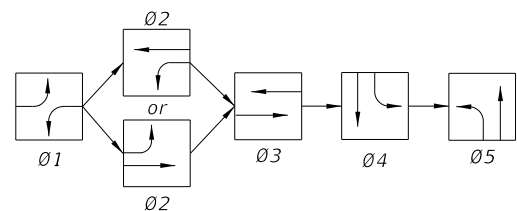
SOP 6



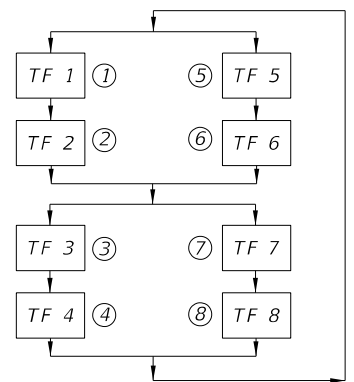
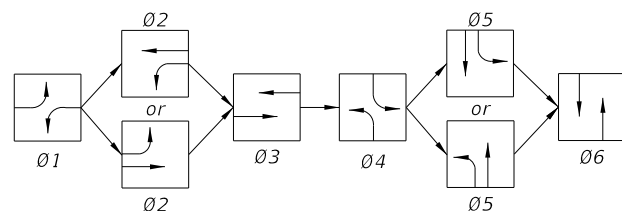
SOP 7



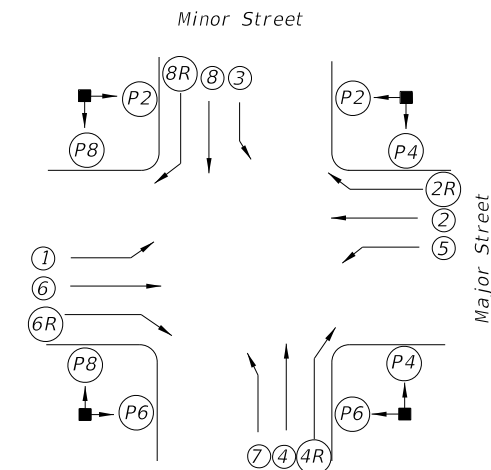
SOP 8



SOP 9



SOP 10



SIGNALIZED INTERSECTION
 Vehicle movements & signal head number assignments are not directionally oriented but shall maintain their relative orientation about the intersection (I.E., movements 7 and 4 are always to the right of movements 1 and 6 etc.).

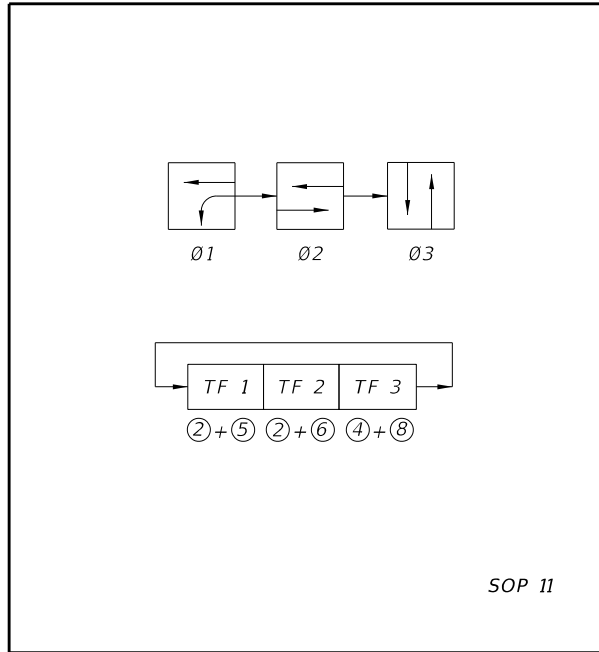
- LEGEND**
- (X) Vehicle Movement Number
 - (PX) Pedestrian Movement Number
 - TF X Timing Function Number
 - 0X Phase Number
 - ← Green Arrow (Left or Right)
 - ←R Red Arrow
 - ← Yellow Arrow

SIGNAL CLEARANCE TABLE
 (Blank Indicates No Clearance Required)

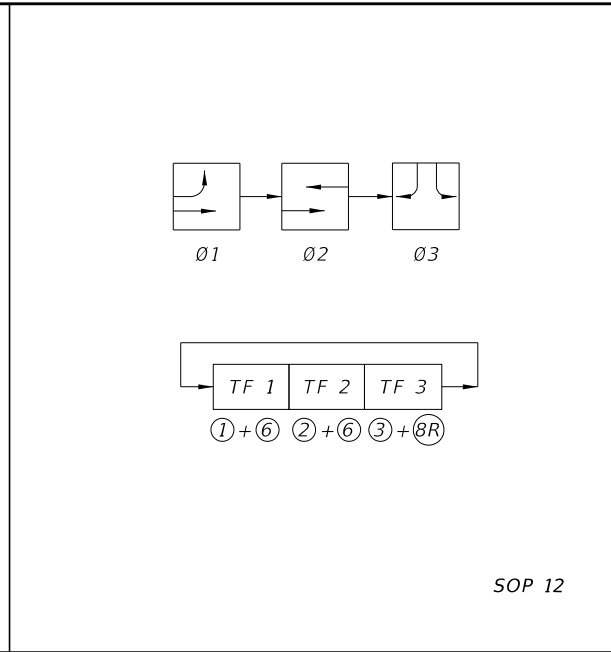
From \ To	SIGNAL INDICATIONS						
	R	←R	G	←	↑	WALK	DONT WALK
R			Y	←	Y		
←R			Y	←	Y		
G				←			
←							
↑							
WALK							
DONT WALK						Flash DONT WALK	

LAST REVISION	DESCRIPTION:
07/01/05	

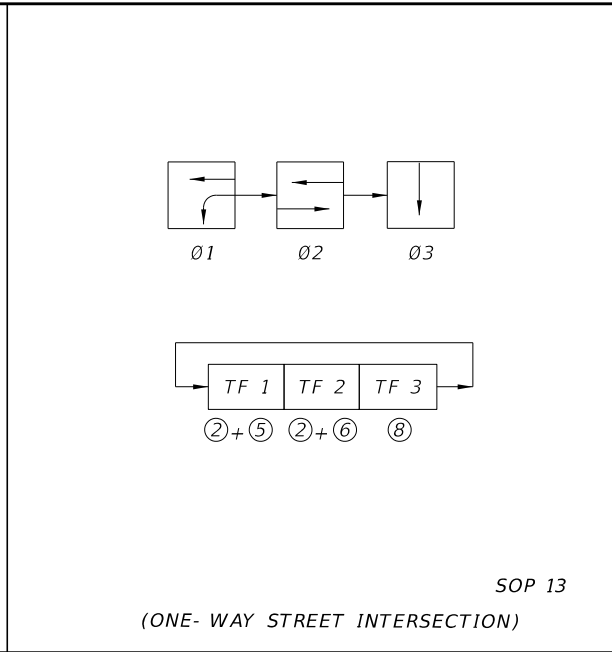
12/30/2011 11:49:47 AM r19960/h C:\projects\standards\roadway\17800-s\17870-02.dgn



SOP 11

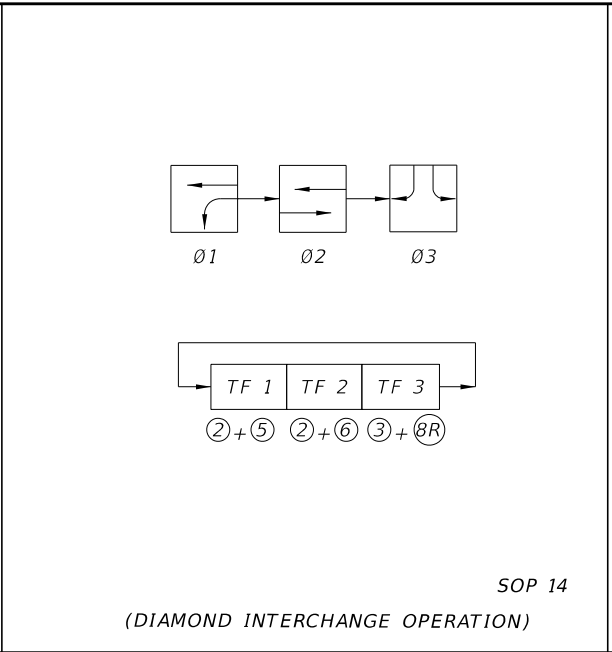


SOP 12



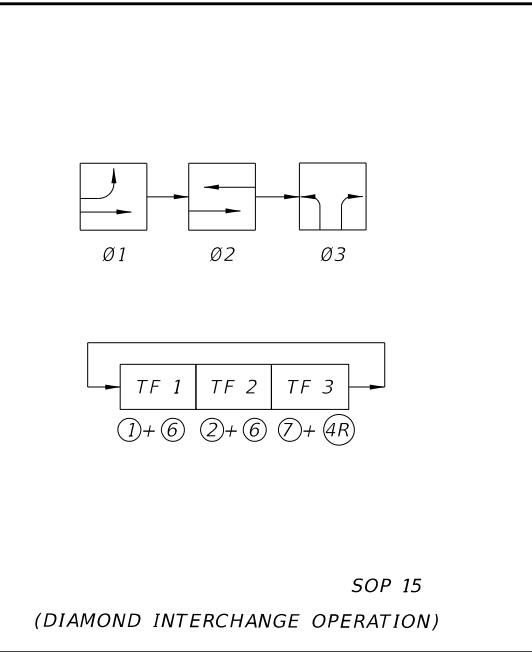
SOP 13

(ONE-WAY STREET INTERSECTION)



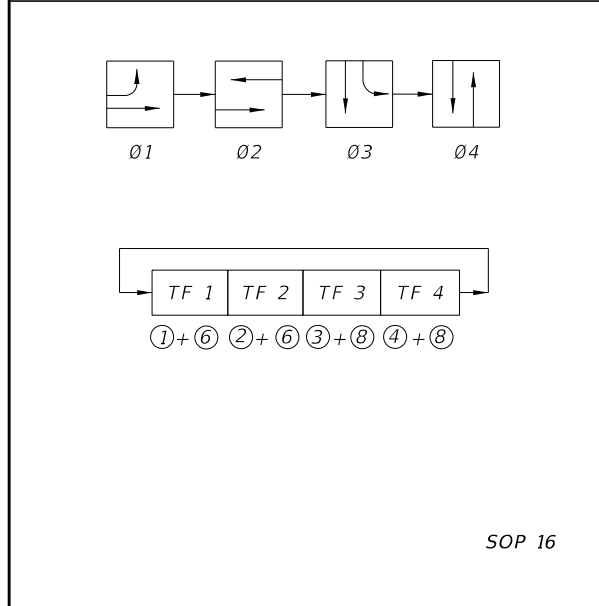
SOP 14

(DIAMOND INTERCHANGE OPERATION)

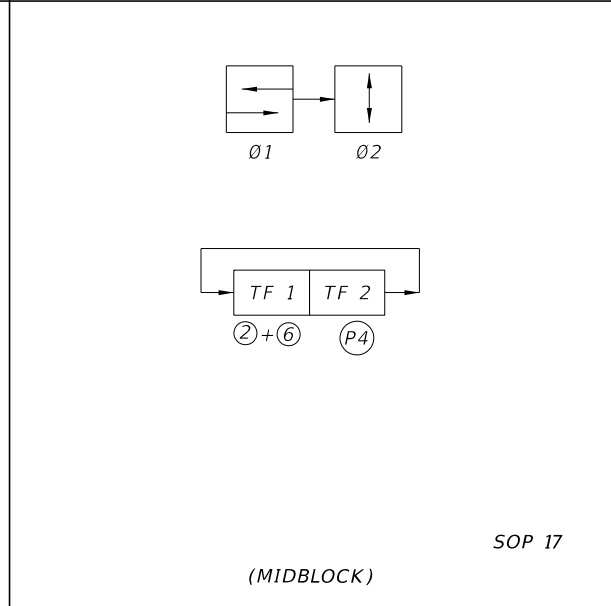


SOP 15

(DIAMOND INTERCHANGE OPERATION)

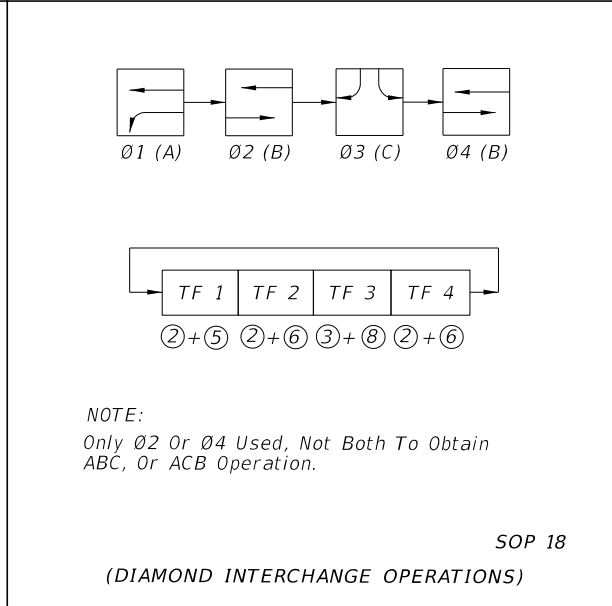


SOP 16



SOP 17

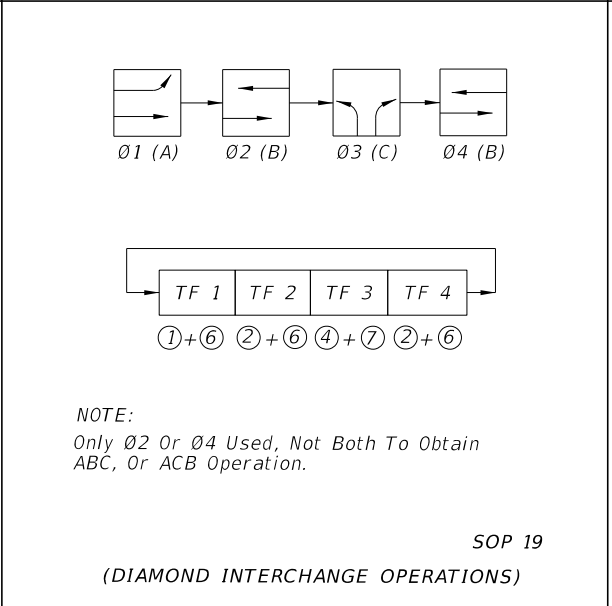
(MIDBLOCK)



SOP 18

NOTE:
Only 02 Or 04 Used, Not Both To Obtain ABC, Or ACB Operation.

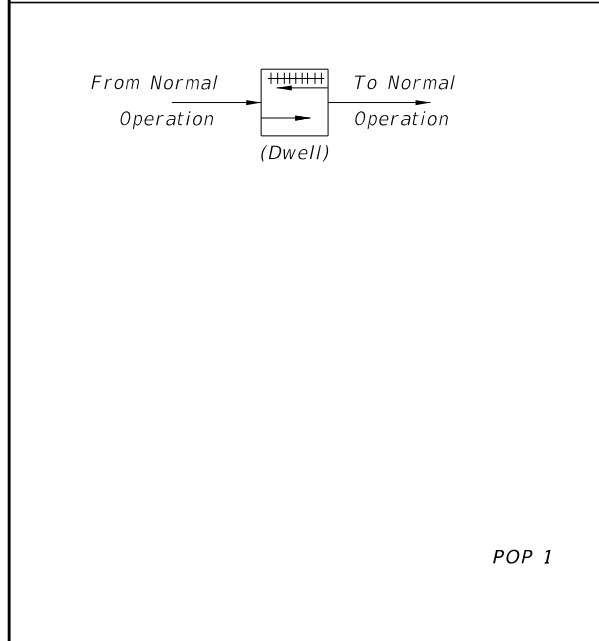
(DIAMOND INTERCHANGE OPERATIONS)



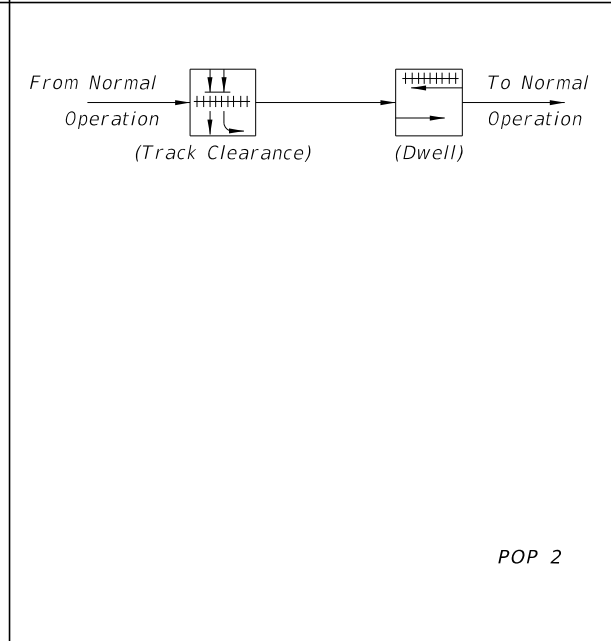
SOP 19

NOTE:
Only 02 Or 04 Used, Not Both To Obtain ABC, Or ACB Operation.

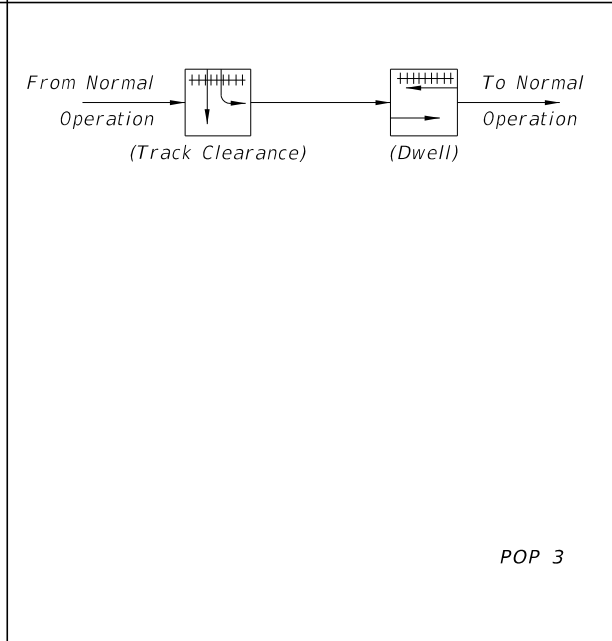
(DIAMOND INTERCHANGE OPERATIONS)



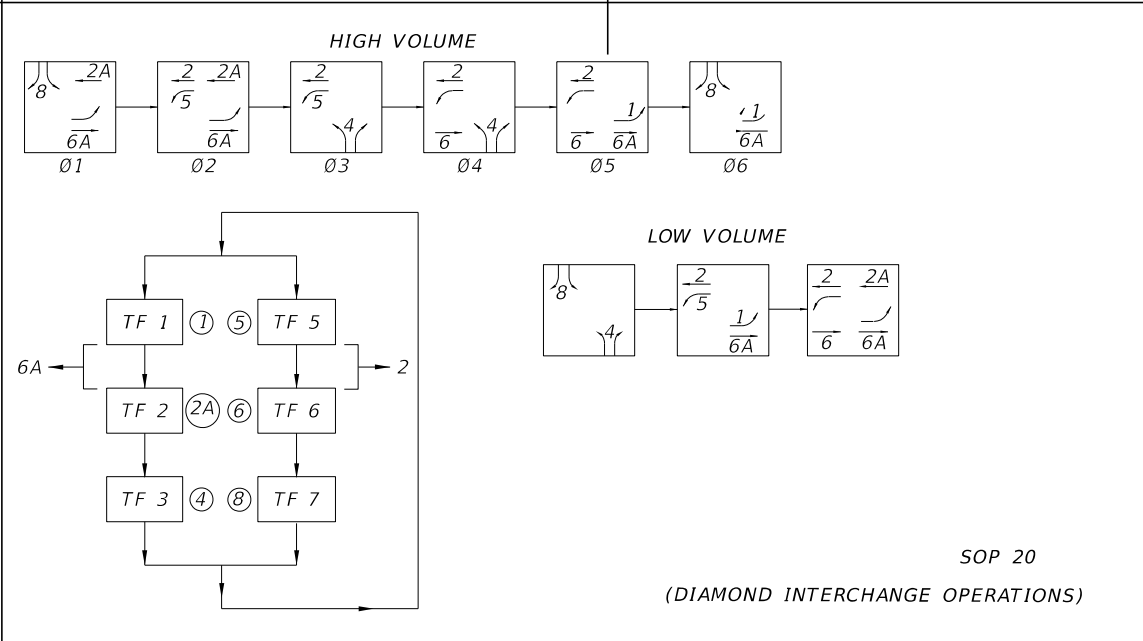
POP 1



POP 2



POP 3



SOP 20

(DIAMOND INTERCHANGE OPERATIONS)