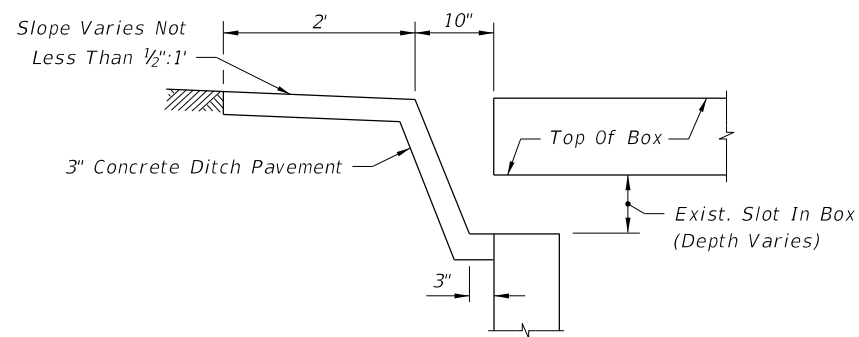
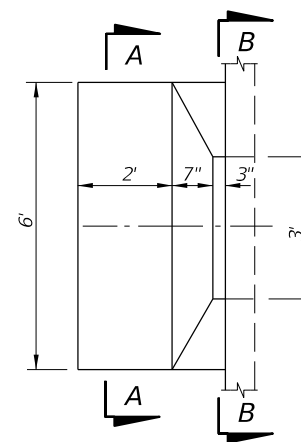


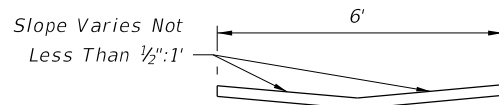
12/30/2011 11:40:49 AM r0960rh C:\projects\standards\roadway\0200-s\02093-01.dgn



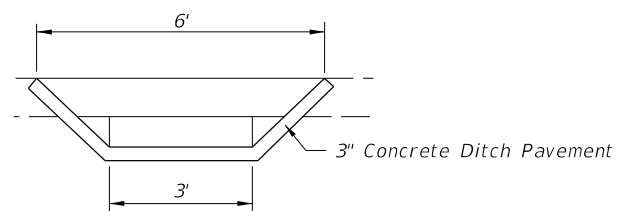
LONGITUDINAL SECTION



PLAN



SECTION AA



SECTION BB

SAFETY MODIFICATION FOR INLETS IN BOX CULVERTS

LAST REVISION	REVISION	DESCRIPTION:		FDOT DESIGN STANDARDS FY 2012/2013	SAFETY MODIFICATIONS FOR INLETS IN BOX CULVERTS	INDEX NO.	SHEET NO.
07/01/07						293	1