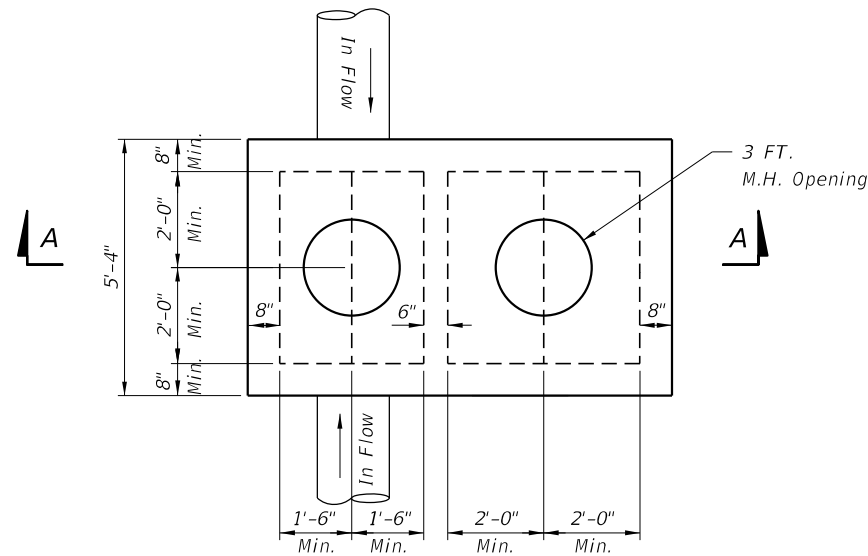
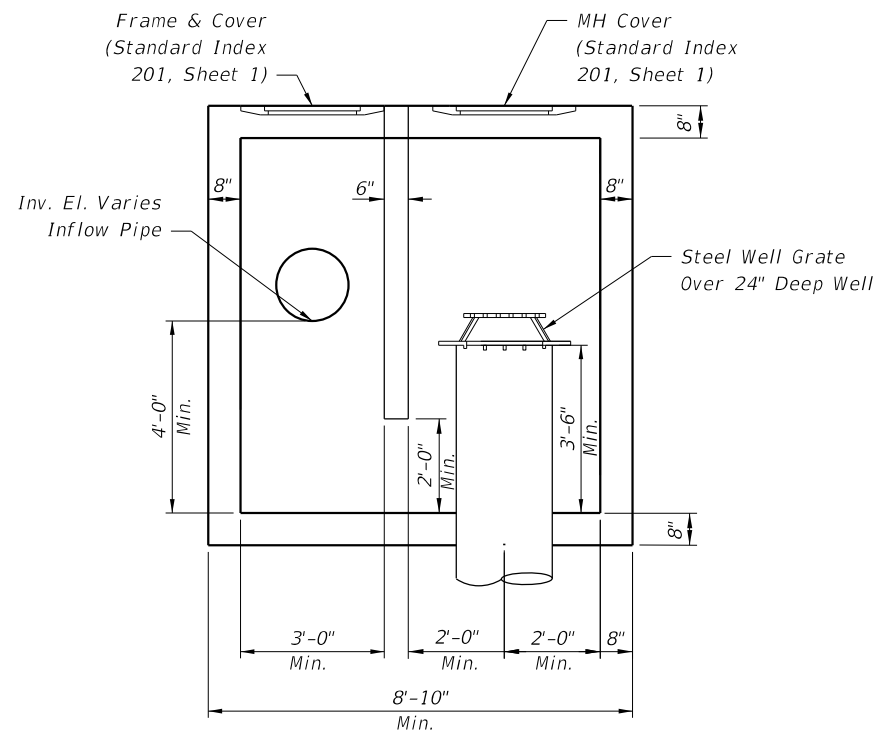


STEEL WELL GRATE DETAIL
NEENAH GRATE CATALOG NO. R-4341-A
OR EQUIVALENT

Note: Steel well grate to be installed over 24" deep well. Steel grate to be hot dipped galvanized after fabrication. Cost to be included in the price of casing.

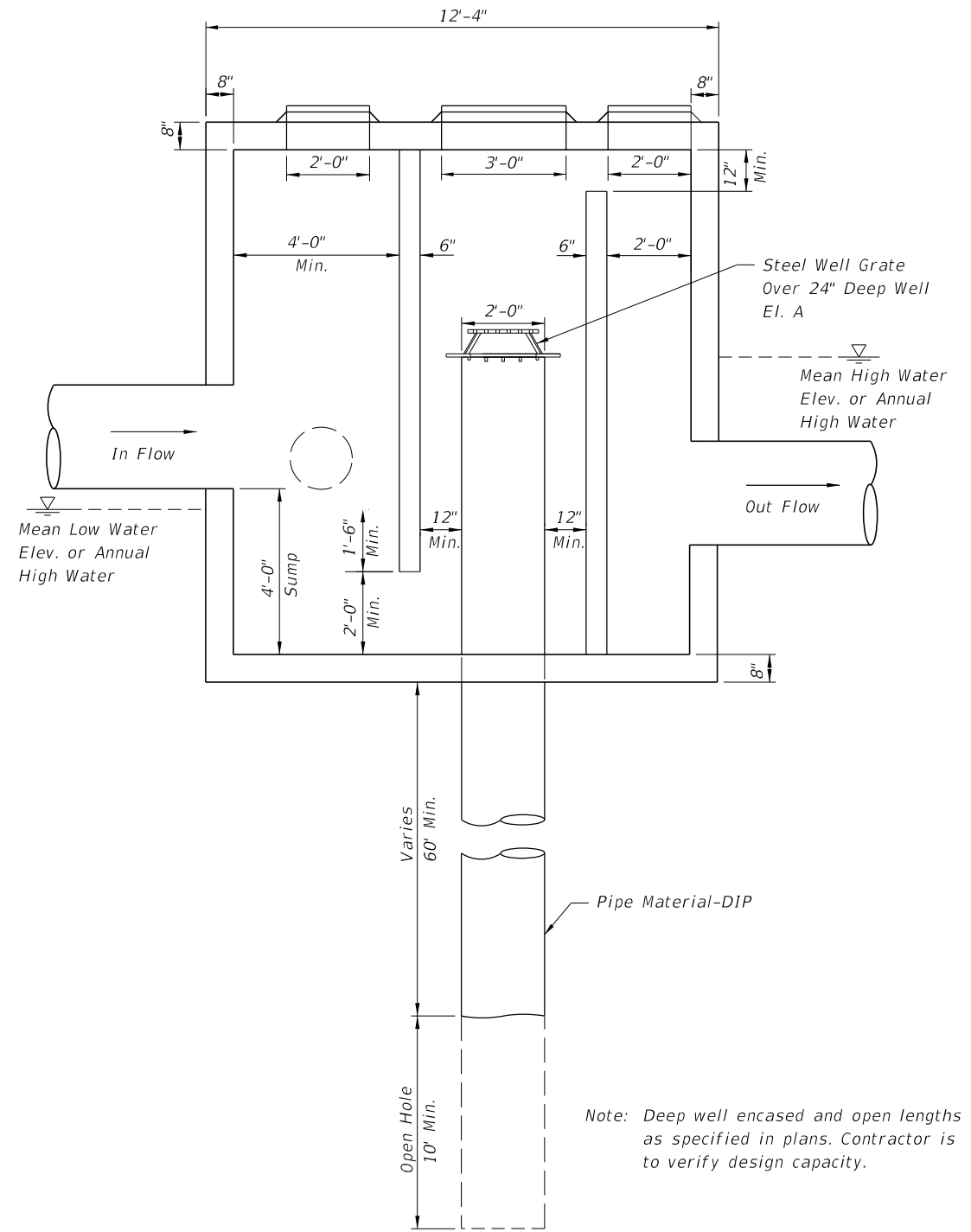


TOP SLAB PLAN



SECTION A-A

STRUCTURE WITH NO OUTFLOW



SPECIAL MANHOLE STRUCTURE DETAIL WITH OUTFALL

Note: Deep well encased and open lengths as specified in plans. Contractor is to verify design capacity.

Design Notes

1. Depth of Casing Varies, 60' min.
2. Depth of Open Hole, 10'-20'.
3. Actual Size Of The Inflow And Outflow Chambers Will Be Determined By The Size Of The Pipes (Refer To Table 3 Of Index 200.) The Width Of The Box Shall Be Constant Based On The Largest Pipe. The Length Is To Be Adjusted Based On Size and Orientation Of The Pipes.

C:\projects\standards\roadway\0200-s\02288-01.dgn
 r1960/h
 11:40:20 AM
 12/30/2011

LAST REVISION	01/01/09	DESCRIPTION:	 FDOT DESIGN STANDARDS FY 2012/2013	DEEP WELL INJECTION BOX	INDEX NO. 288	SHEET NO. 1
---------------	----------	--------------	---	--------------------------------	-------------------------	-----------------------