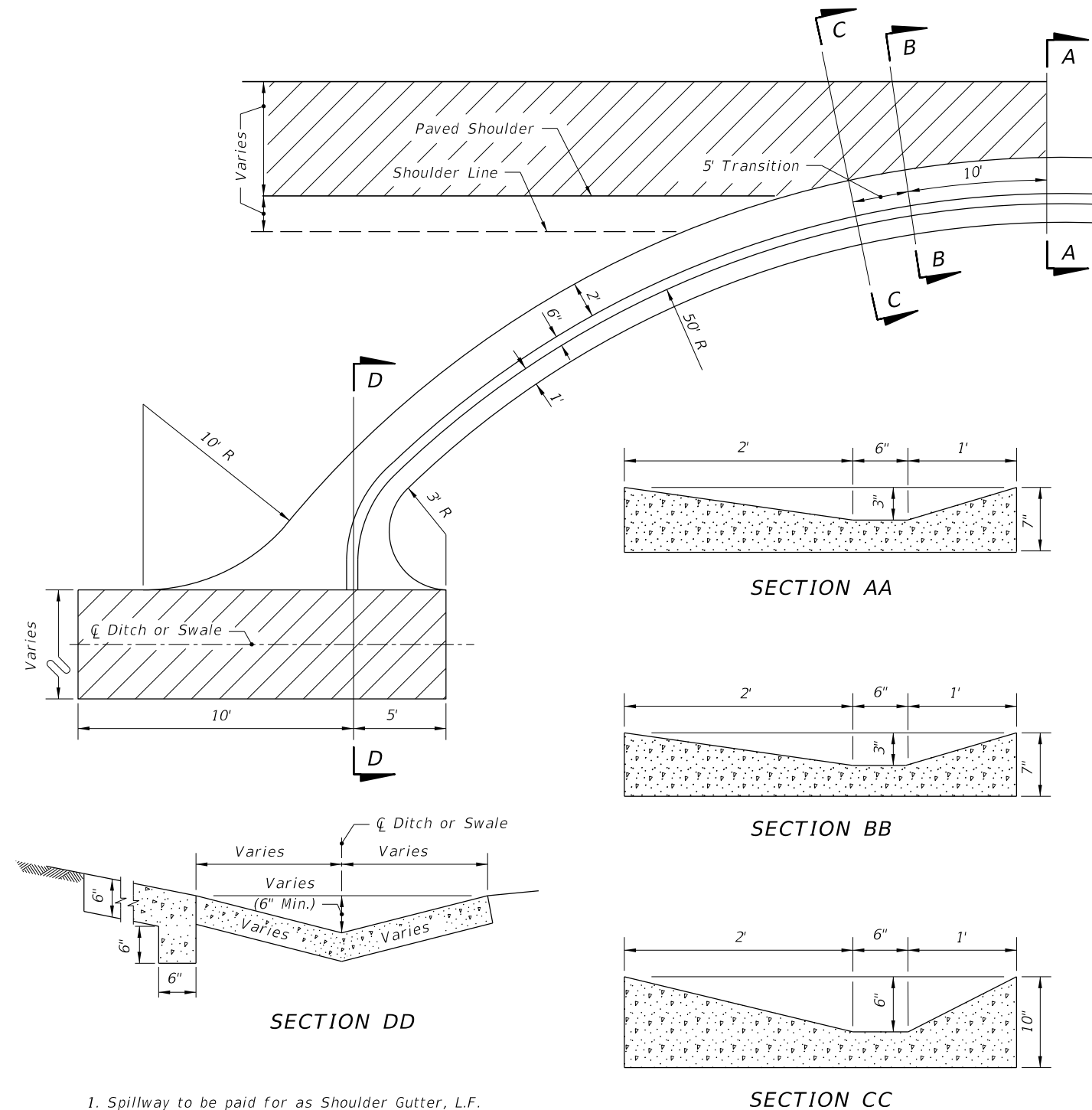


C:\projects\standards\roadway\0200-s\02084-01.dgn
 r1960/h
 11:40:14 AM
 12/30/2011



1. Spillway to be paid for as Shoulder Gutter, L.F.
2. If spillway empties into an unpaved ditch, the detail should be modified as necessary.

DETAIL OF CONCRETE SPILLWAY AT END OF SHOULDER GUTTER
 (TO BE USED WHERE INLETS, PIPES & ENDWALLS ARE IMPRACTICAL)

LAST REVISION	07/01/09	DESCRIPTION:	 FDOT DESIGN STANDARDS FY 2012/2013	CONCRETE SHOULDER GUTTER SPILLWAY	INDEX NO. 284	SHEET NO. 1
---------------	----------	--------------	--	--	-------------------------	-----------------------